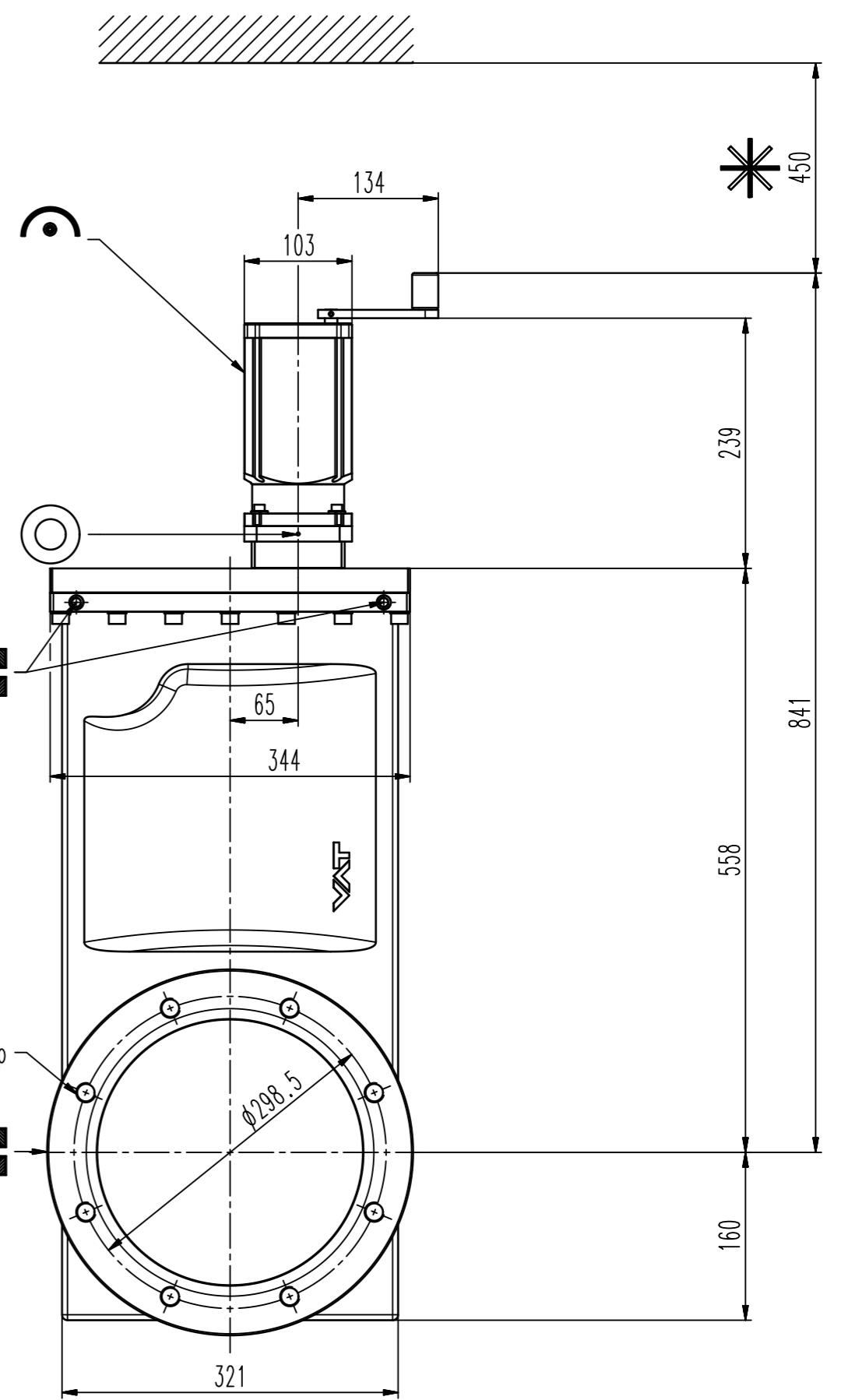


Lifting eye bolt M10 (2x)
DIN 580

M10 - 10 deep (5x)
Lifting point suitable for
eye bolt DIN 580

8x3/4"-10UNC, 20 deep



- ▼ Seat side
- ⊙ Comp. air connection
- ⊙ Electrical connection
- ⊙ Leak detection port
- ⊙ Mech. pos. indication
- ⊙ Position indicator
- ⊙ Required for dismantling
- ⊙ Emergency actuation
- ⊙ For attachment
- ⊙ Bake-out area
- ⊙ Differential pumping port

UHV gate valve



VAT Vakuumventile AG
CH-9469 Haag, Switzerland
Tel ++41 81 7716161 Fax ++41 81 7714830

Rev.-Date: 28.06.11
Visa: PEM

Series	108	Ordering No.	10848-TE01-0008
Projection E	DN	Flange	ASA-LP
	250		
Dimensional Drawing	474050	Rev.	A