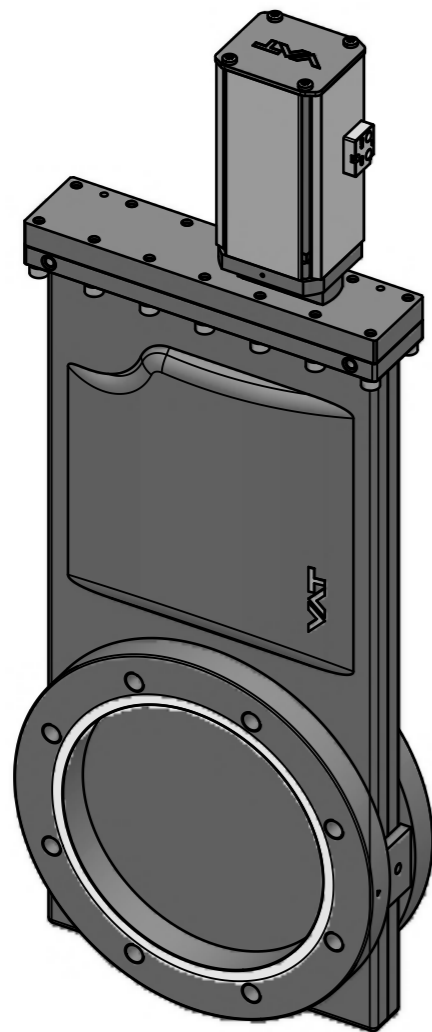


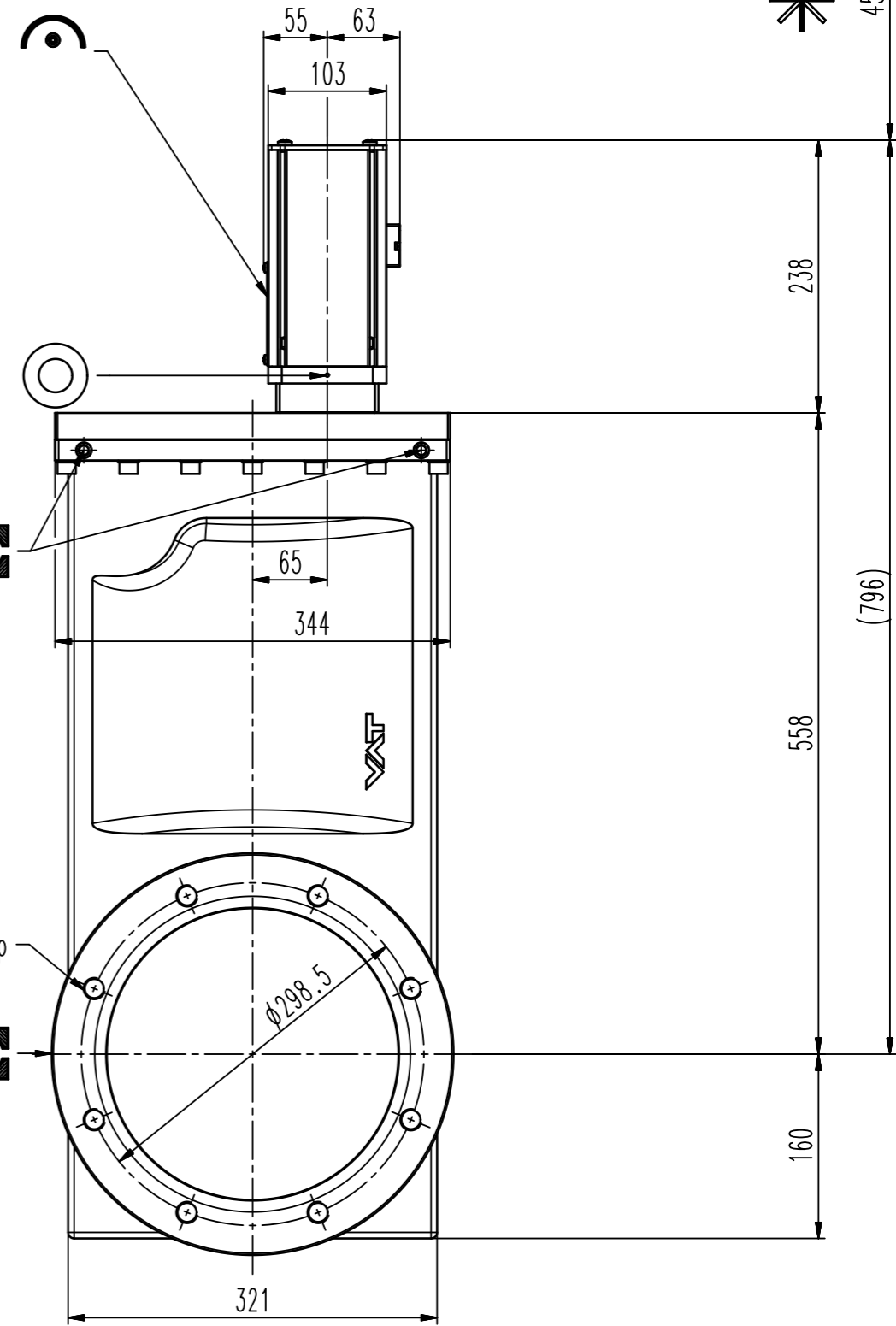
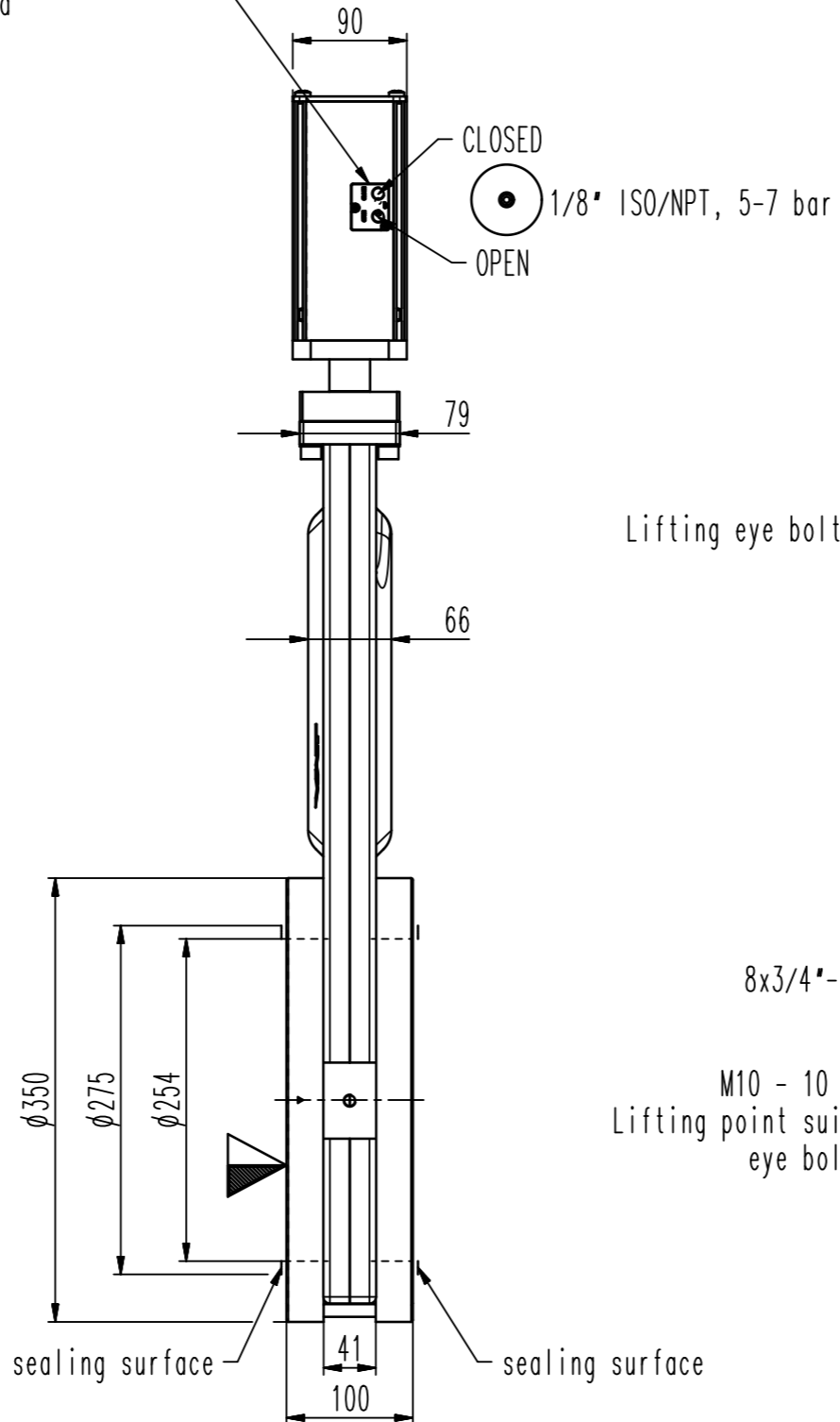
This drawing is the property of VAT.

Revision

Customer number



2xM5 (10-32 UNF suitable) in air cylinder if adapter plate is removed



Lifting eye bolt M10 (2x) DIN 580

M10 - 10 deep (5x) Lifting point suitable for eye bolt DIN 580

- ▼ Seat side
- ⊙ Comp. air connection
- ⊙ Electrical connection
- ⊙ Leak detection port
- ⊙ Mech. pos. indication
- ⊙ Position indicator
- ⊙ Required for dismantling
- ⊙ Emergency actuation
- ⊙ For attachment
- ⊙ Bake-out area
- ⊙ Differential pumping port

**UHV gate valve**

**VAT** Vakuumentile AG  
 CH-9469 Haag, Switzerland  
 Tel ++41 81 7716161 Fax ++41 81 7714830

Rev.-Date: 11.11.14  
 Visa: MRO

|                     |     |              |                 |
|---------------------|-----|--------------|-----------------|
| Series              | 108 | Ordering No. | 10848-TE14-0007 |
| Projection E        | DN  | Flange       | ASA-LP          |
|                     | 250 |              |                 |
| Dimensional Drawing |     | 776280       | Rev.            |