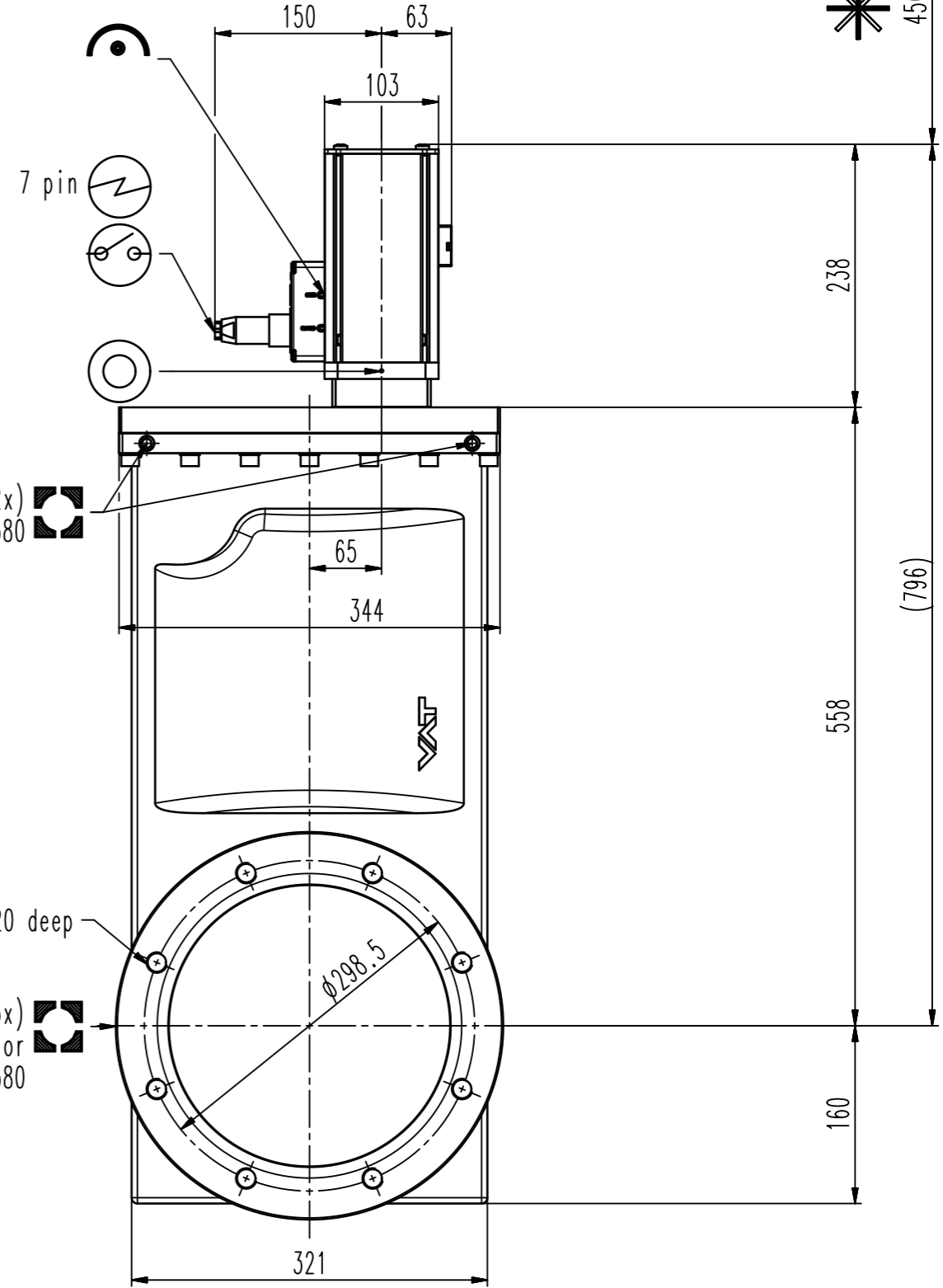
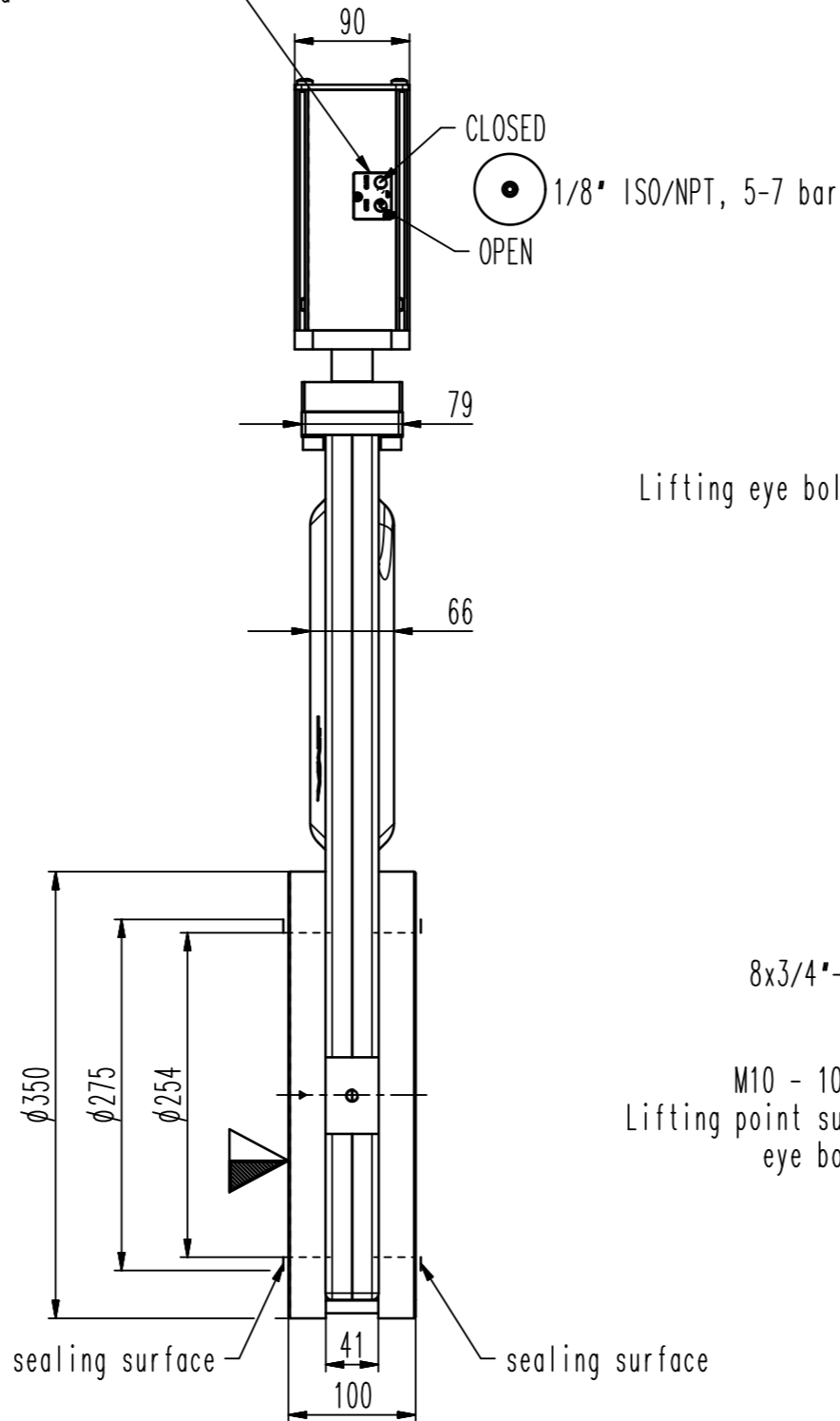


2xM5 (10-32 UNF suitable) in air cylinder
if adapter plate is removed



- ▼ Seat side
- ⊙ Comp. air connection
- ⊙ Electrical connection
- ⊙ Leak detection port
- ⊙ Mech. pos. indication
- ⊙ Position indicator
- ⊙ Required for dismantling
- ⊙ Emergency actuation
- ⊙ For attachment
- ⊙ Bake-out area
- ⊙ Differential pumping port

UHV gate valve



VAT Vakuumventile AG
CH-9469 Haag, Switzerland
Tel ++41 81 7716161 Fax ++41 81 7714830

Rev.-Date: 24.06.11
Visa: PEM

| | | | |
|---------------------|--------|--------------|-----------------|
| Series | 108 | Ordering No. | 10848-TE24-0007 |
| Projection E | DN | Flange | ASA-LP |
| | 250 | | |
| Dimensional Drawing | 243153 | Rev. | A |

(796)

558

160

238

450