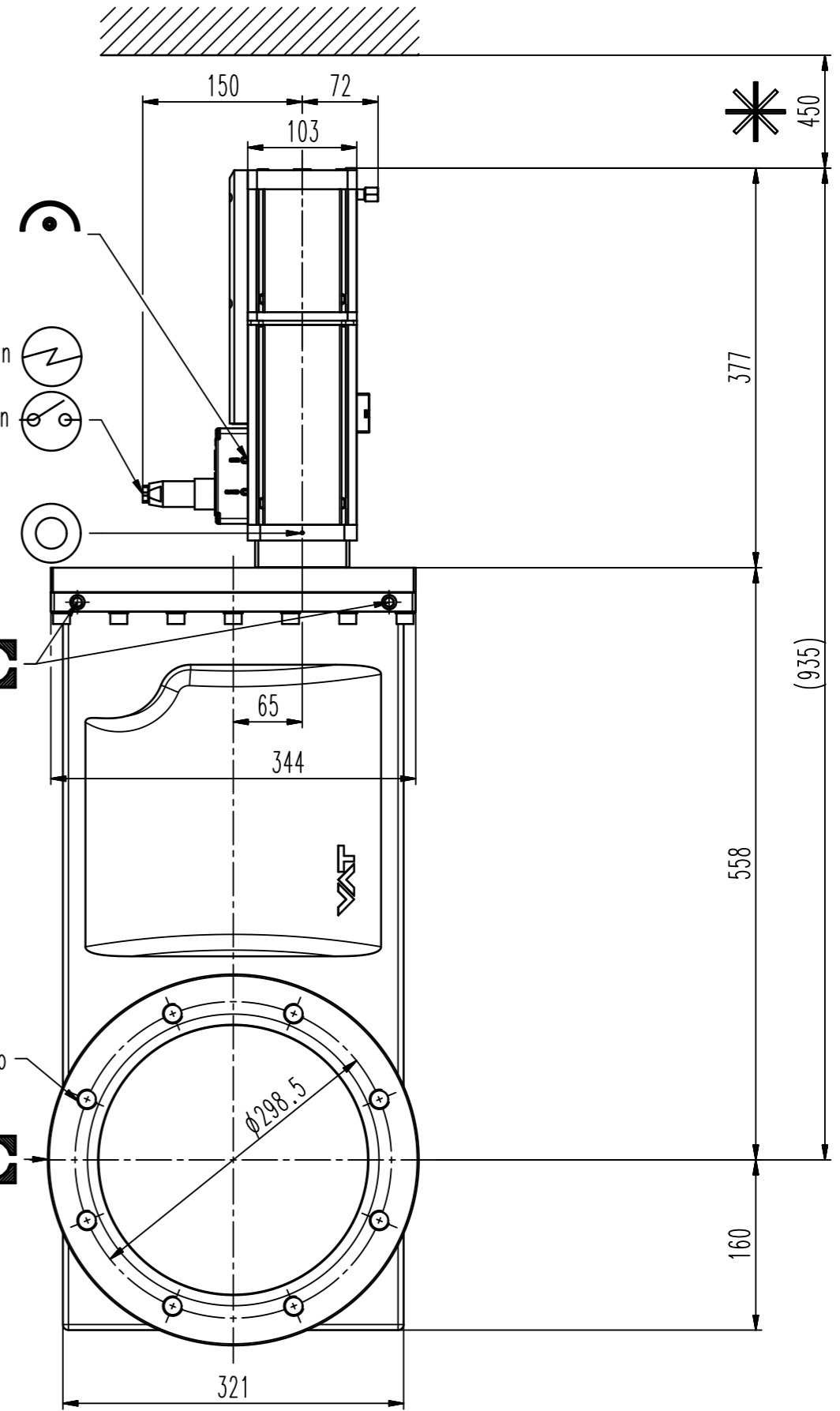
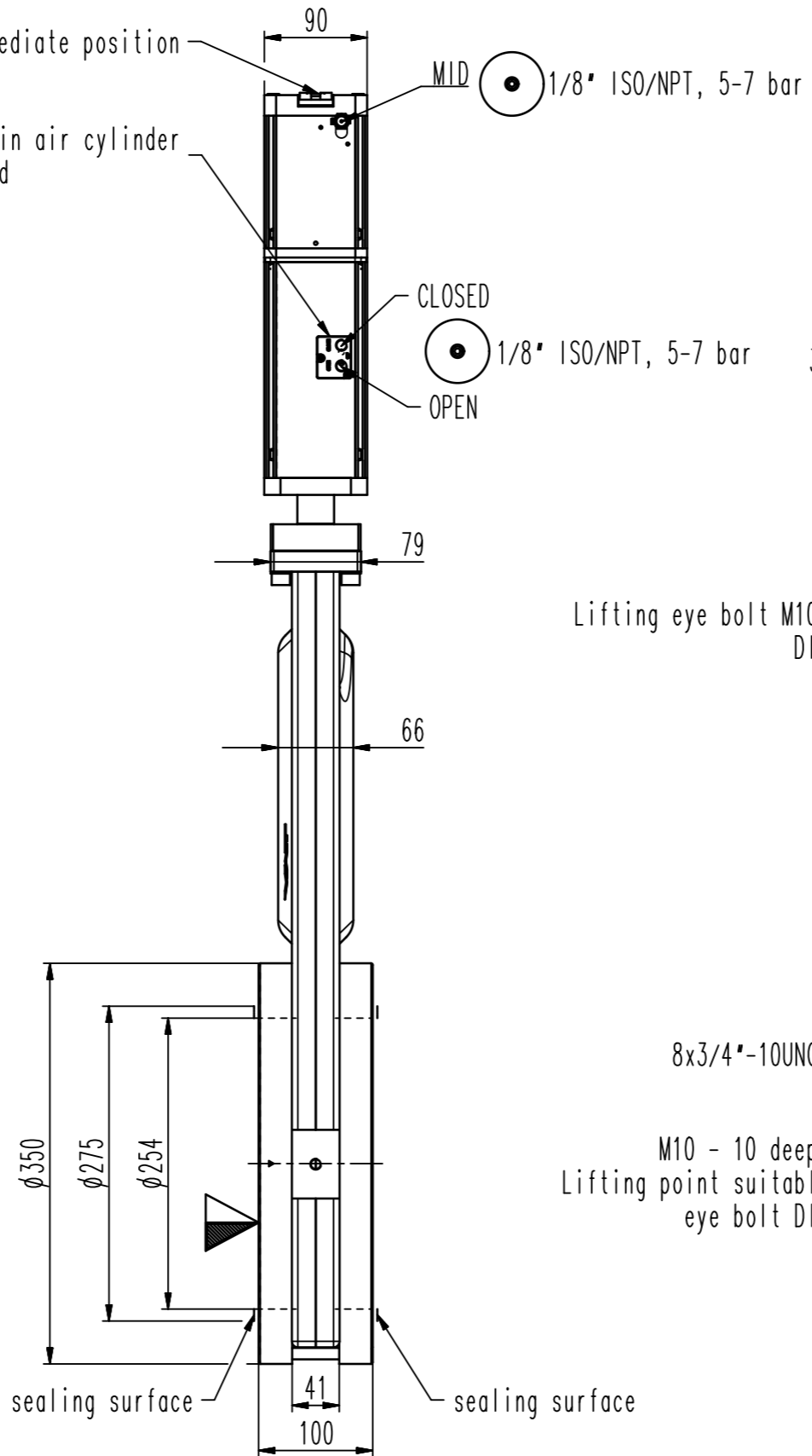


adjusting screw for intermediate position
 2xM5 (10-32 UNF suitable) in air cylinder
 if adapter plate is removed



- ▼ Seat side
- ⊙ Comp. air connection
- ⊕ Electrical connection
- ⊖ Leak detection port
- ⊗ Mech. pos. indication
- ⊘ Position indicator
- ⊙* Required for dismantling
- ⊙⊕ Emergency actuation
- ⊙⊖ For attachment
- ⊙⊗ Bake-out area
- ⊙⊘ Differential pumping port

UHV gate valve

VAT Vakuumentile AG
 CH-9469 Haag, Switzerland
 Tel ++41 81 7716161 Fax ++41 81 7714830

Rev.-Date: 11.11.14
 Visa: MRO

Series	108	Ordering No.	10848-TE28-0007
Projection E	DN	Flange	ASA-LP
	250		
Dimensional Drawing	776313	Rev.	