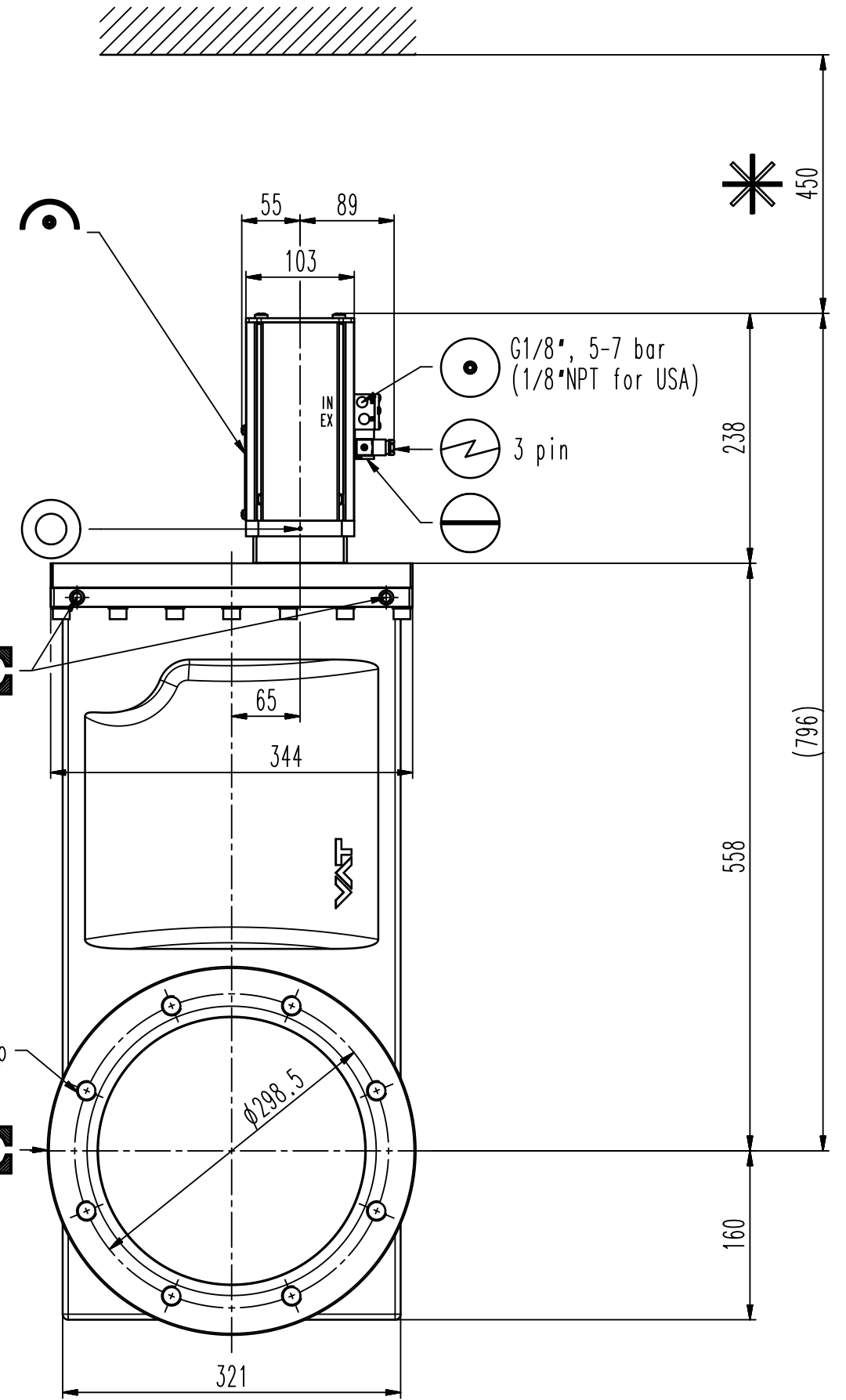


Lifting eye bolt M10 (2x)  
DIN 580

M10 - 10 deep (5x)  
Lifting point suitable for  
eye bolt DIN 580



- ▼ Seat side
- ⊙ Comp. air connection
- ⊕ Electrical connection
- ⊖ Leak detection port
- ⊙ Mech. pos. indication
- ⊙ Position indicator
- ⊙ Required for dismantling
- ⊙ Emergency actuation
- ⊙ For attachment
- ⊙ Bake-out area
- ⊙ Differential pumping port

### UHV gate valve



VAT Vakuumventile AG  
CH-9469 Haag, Switzerland  
Tel ++41 81 7716161 Fax ++41 81 7714830

Rev.-Date: 11.11.14  
Visa: MRO

Series	108	Ordering No.	10848-TE34-0007
Projection E	DN	Flange	ASA-LP
Dimensional Drawing	250	776320	Rev.