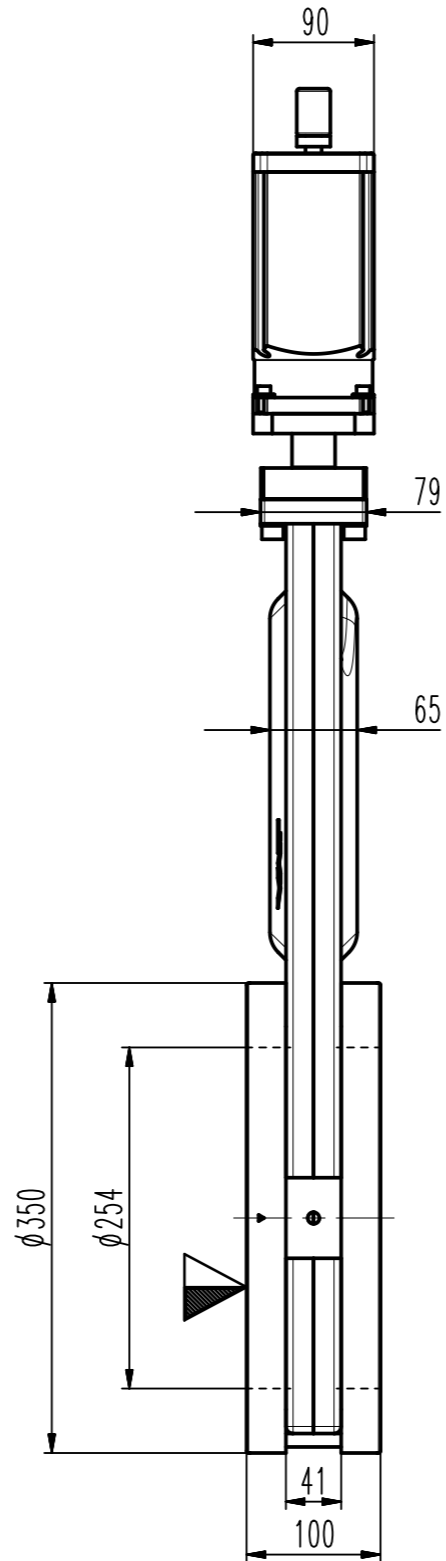
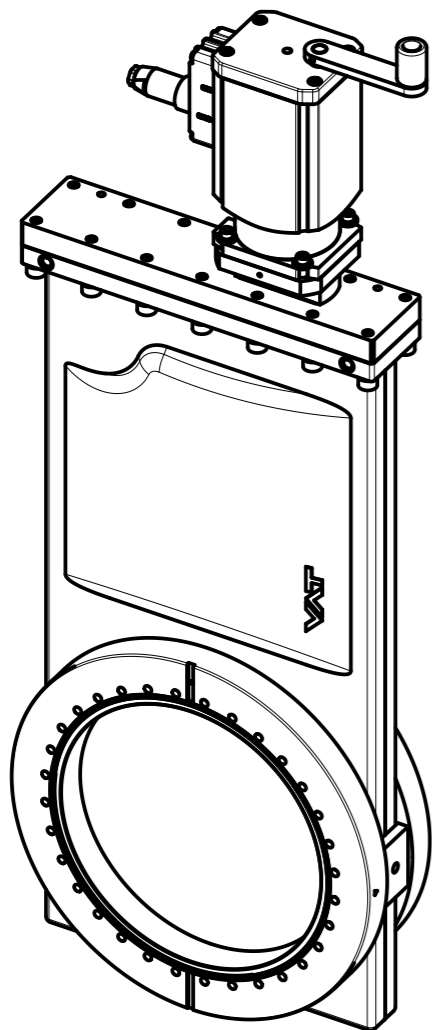
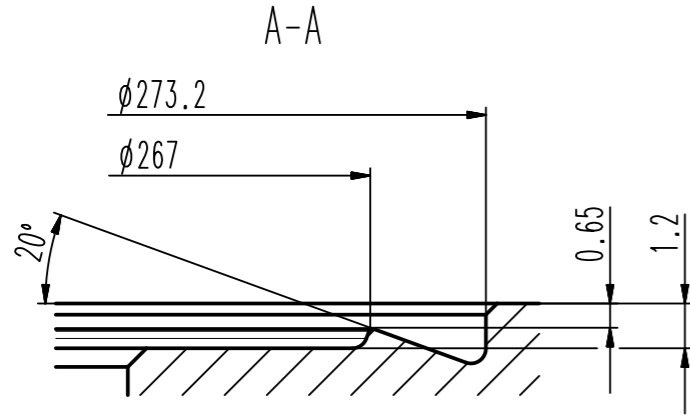


This drawing is the property of VAT.

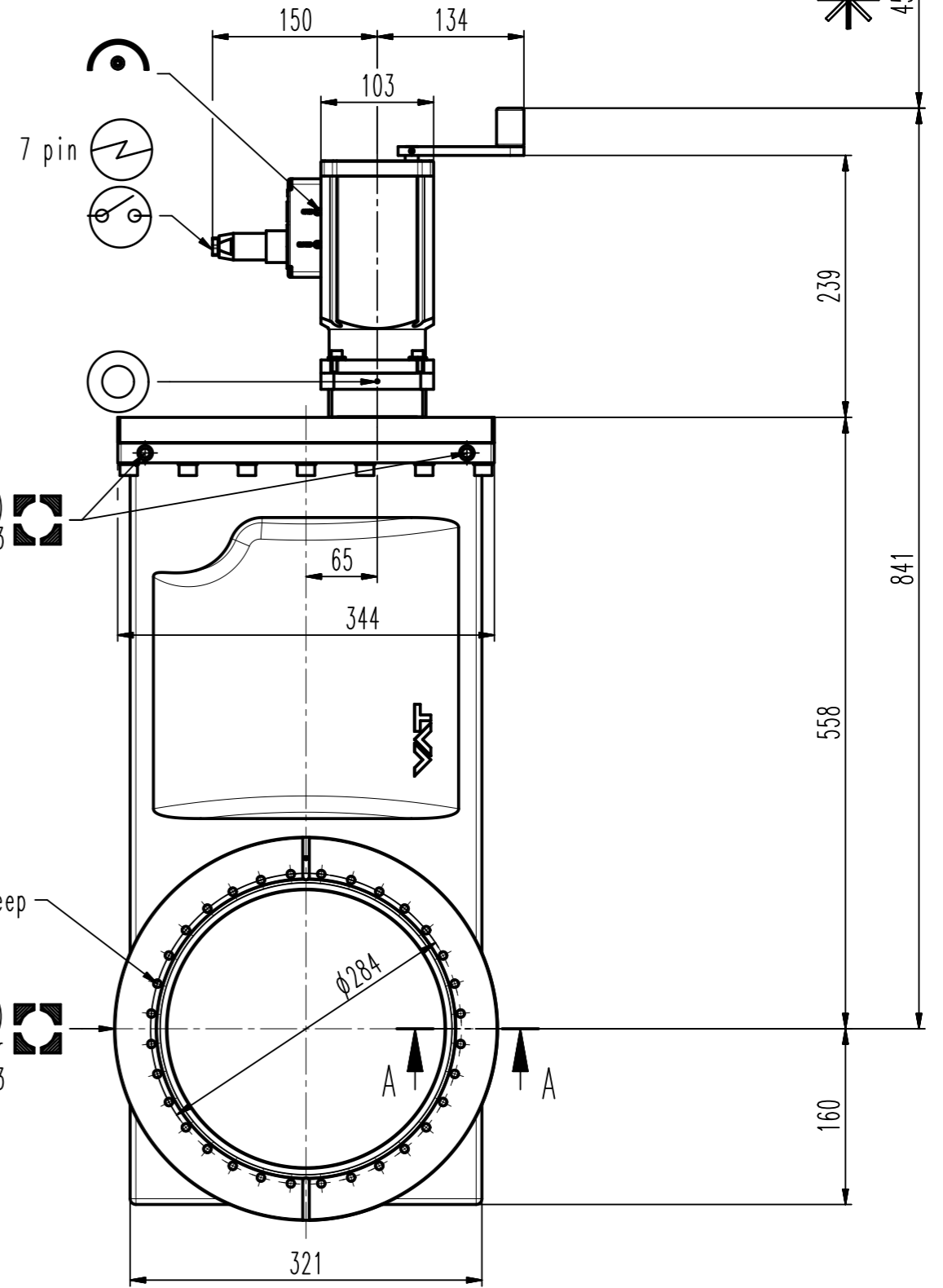
Revision

Customer number



Lifting eye bolt M10 (2x)  
 DIN 580:2003

M10 - 10 deep (5x)  
 Lifting point suitable for  
 eye bolt DIN 580:2003



- ▼ Seat side
- ⊙ Comp. air connection
- ⊙ Electrical connection
- ⊙ Leak detection port
- ⊙ Mech. pos. indication
- ⊙ Position indicator
- ⊙ Required for dismantling
- ⊙ Emergency actuation
- ⊙ For attachment
- ⊙ Bake-out area
- ⊙ Differential pumping port

### UHV gate valve



VAT Vakuumventile AG  
 CH-9469 Haag, Switzerland  
 Tel ++41 81 7716161 Fax ++41 81 7714830

Rev.-Date: 12.11.14  
 Visa: MRO

Series	108	Ordering No.	10848-UE08-0008
Projection E	DN	Flange	
	250	CF-F UNF	
Dimensional Drawing	776374	Rev.	