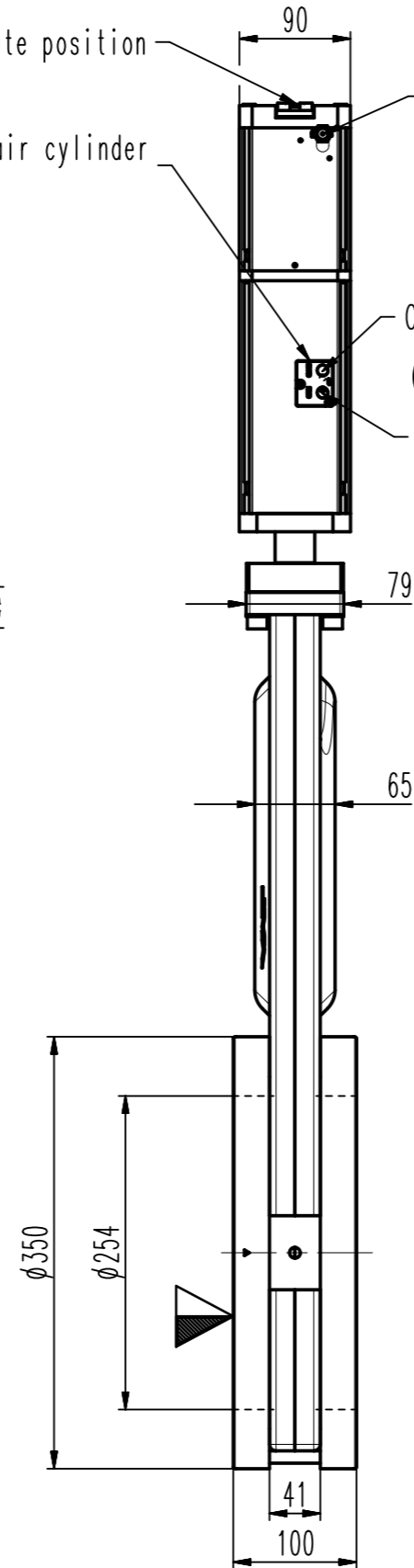


adjusting screw for intermediate position
 2xM5 (10-32 UNF suitable) in air cylinder
 if adapter plate is removed



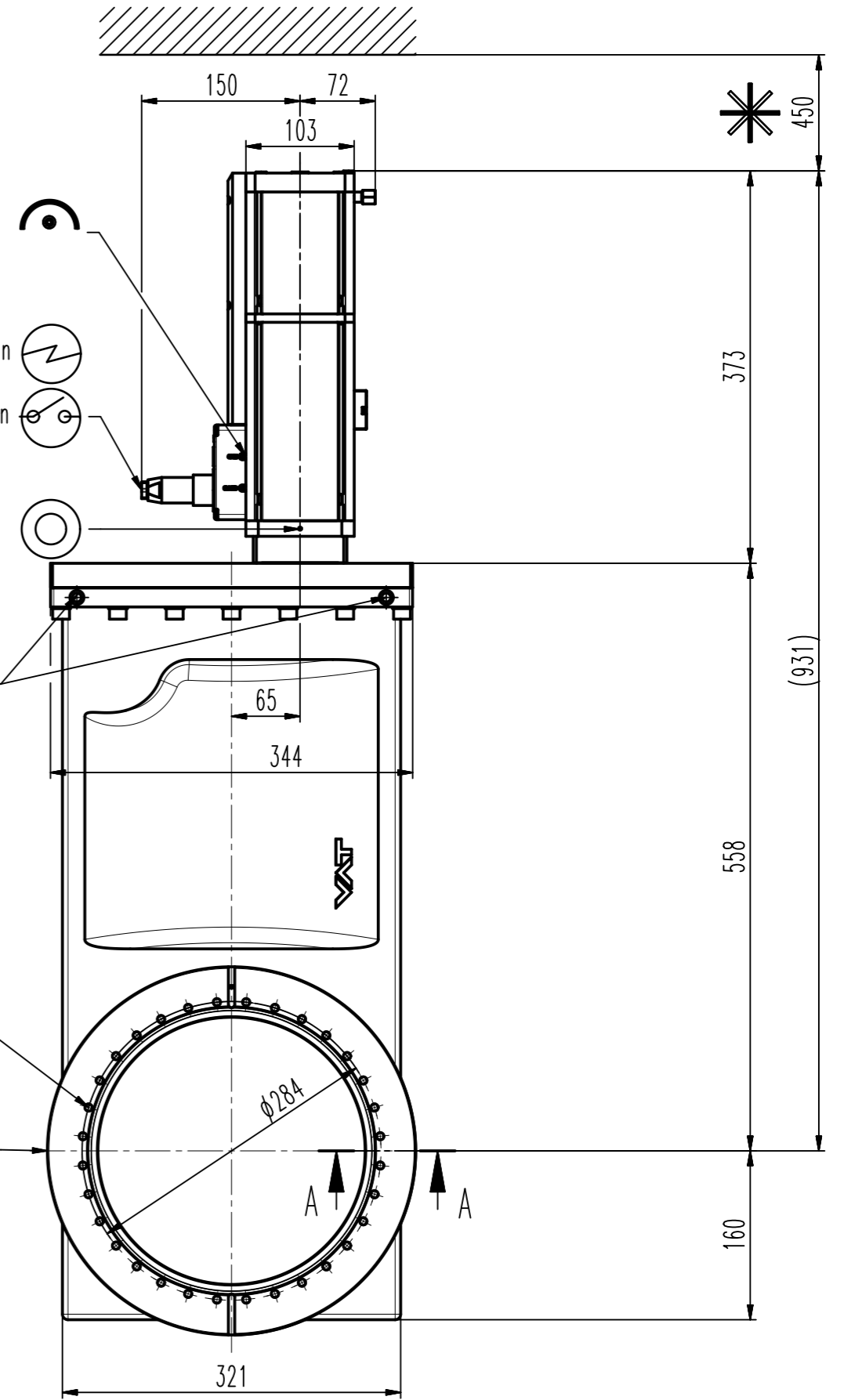
MID \odot 1/8" ISO/NPT, 5-7 bar

CLOSED \odot 1/8" ISO/NPT, 5-7 bar
 OPEN \odot

Lifting eye bolt M10 (2x)
 DIN 580:2003

32x5/16"-24UNF, 13 deep

M10 - 10 deep (5x)
 Lifting point suitable for
 eye bolt DIN 580:2003



- ∇ Seat side
- \odot Comp. air connection
- \ominus Electrical connection
- \odot Leak detection port
- \odot Mech. pos. indication
- \odot Position indicator
- \odot Required for dismantling
- \odot Emergency actuation
- \odot For attachment
- \odot Bake-out area
- \odot Differential pumping port

UHV gate valve



VAT Vakuumventile AG
 CH-9469 Haag, Switzerland
 Tel ++41 81 7716161 Fax ++41 81 7714830

Rev.-Date: 12.11.14
 Visa: MRO

Series	108	Ordering No.	10848-UE28-0007
Projection E	DN	Flange	
	250	CF-F UNF	
Dimensional Drawing	776426	Rev.	