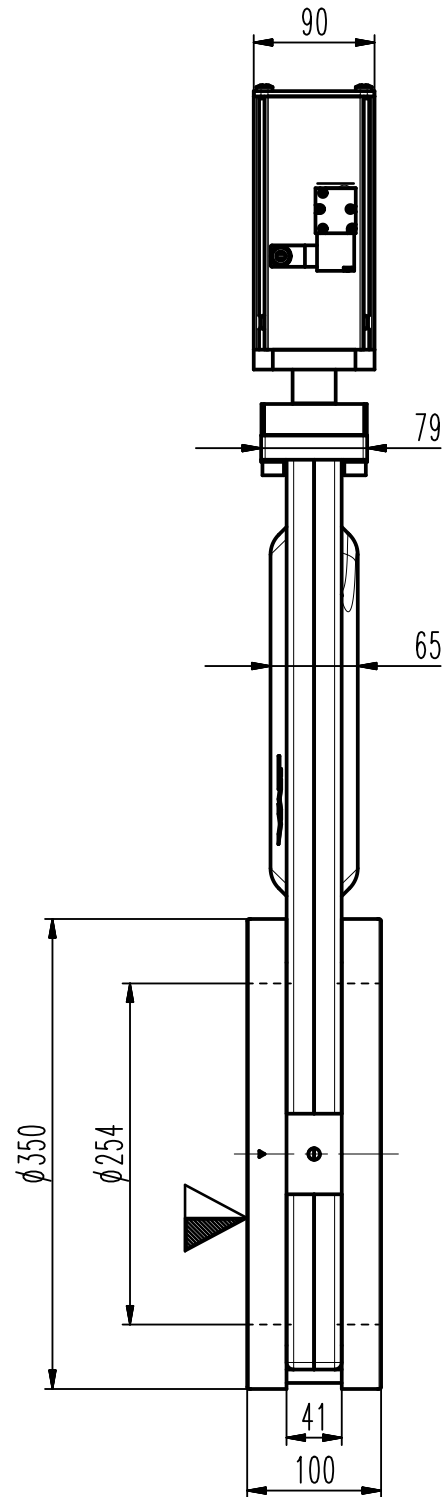
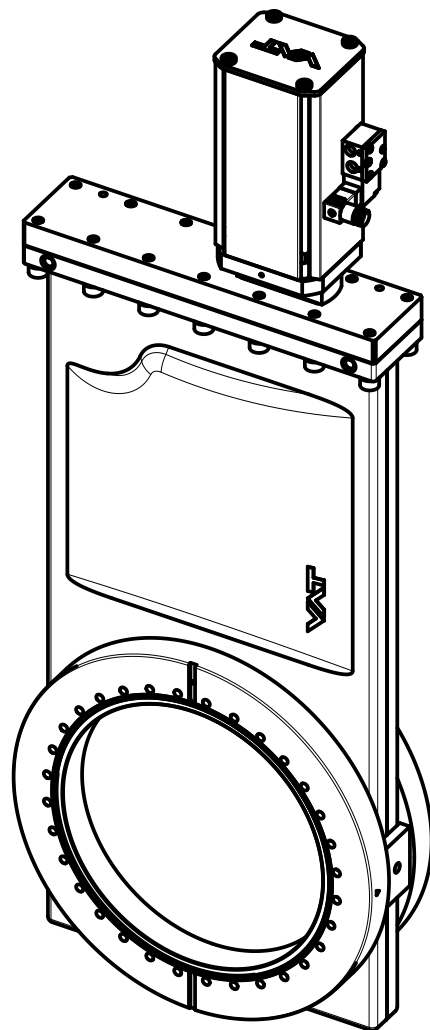
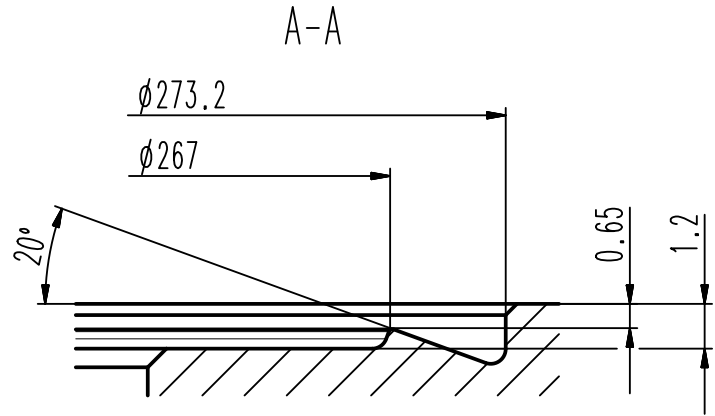


This drawing is the property of VAT.

Revision

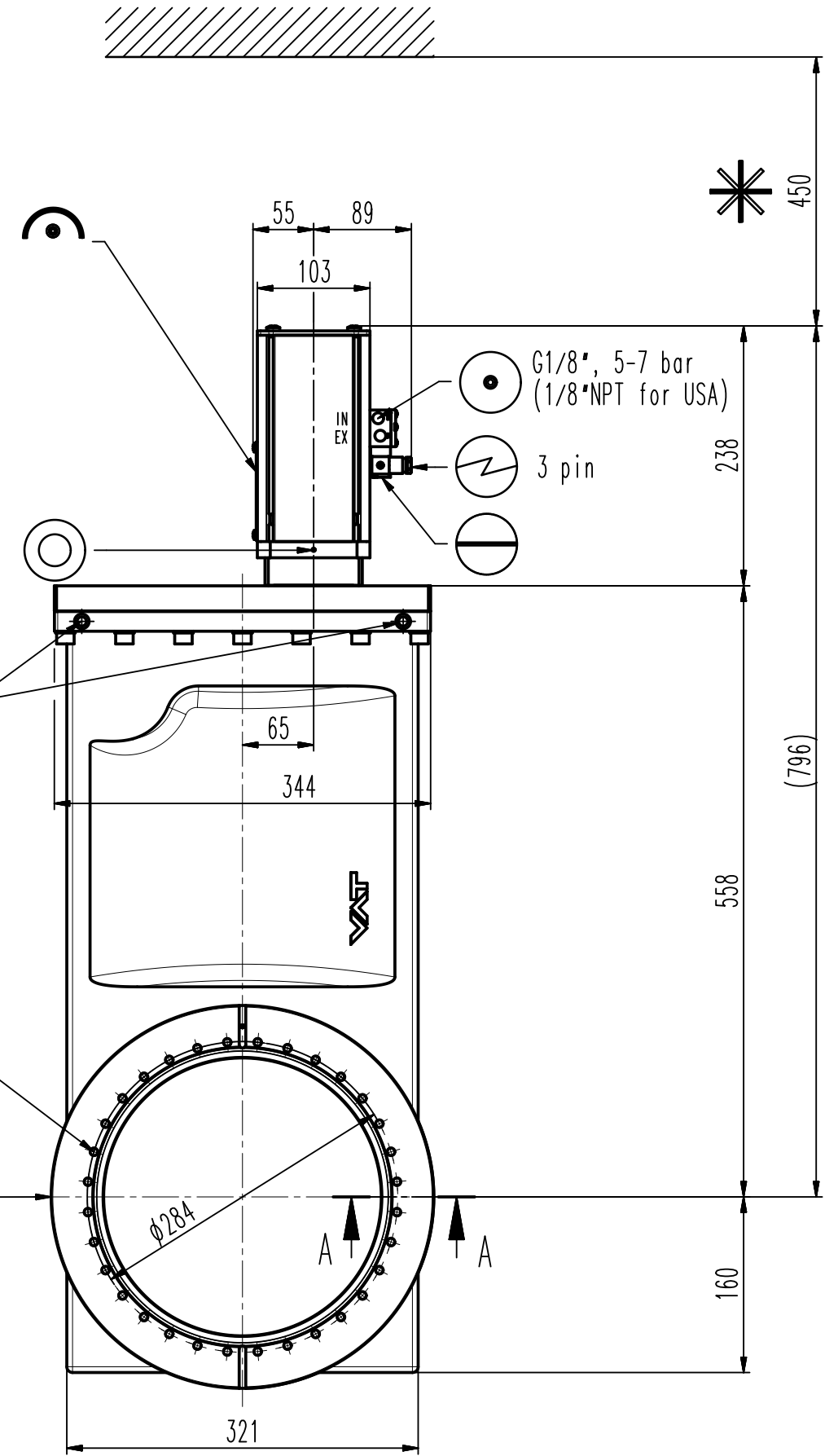
Customer number



Lifting eye bolt M10 (2x)  
DIN 580:2003

M10 - 10 deep (5x)  
Lifting point suitable for  
eye bolt DIN 580:2003

32x5/16"-24UNF, 13 deep



- ▼ Seat side
- ⊙ Comp. air connection
- ⊙ Electrical connection
- ⊙ Leak detection port
- ⊙ Mech. pos. indication
- ⊙ Position indicator
- ⊙ Required for dismantling
- ⊙ Emergency actuation
- ⊙ For attachment
- ⊙ Bake-out area
- ⊙ Differential pumping port

### UHV gate valve



VAT Vakuumventile AG

CH-9469 Haag, Switzerland  
Tel ++41 81 7716161 Fax ++41 81 7714830

Rev.-Date: 12.11.14

Visa: MRO

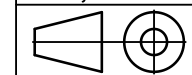
Series

108

Ordering No.

10848-UE34-0007

Projection E



DN

250

Flange

CF-F UNF

Dimensional  
Drawing

776440

Rev.

VAT/DA