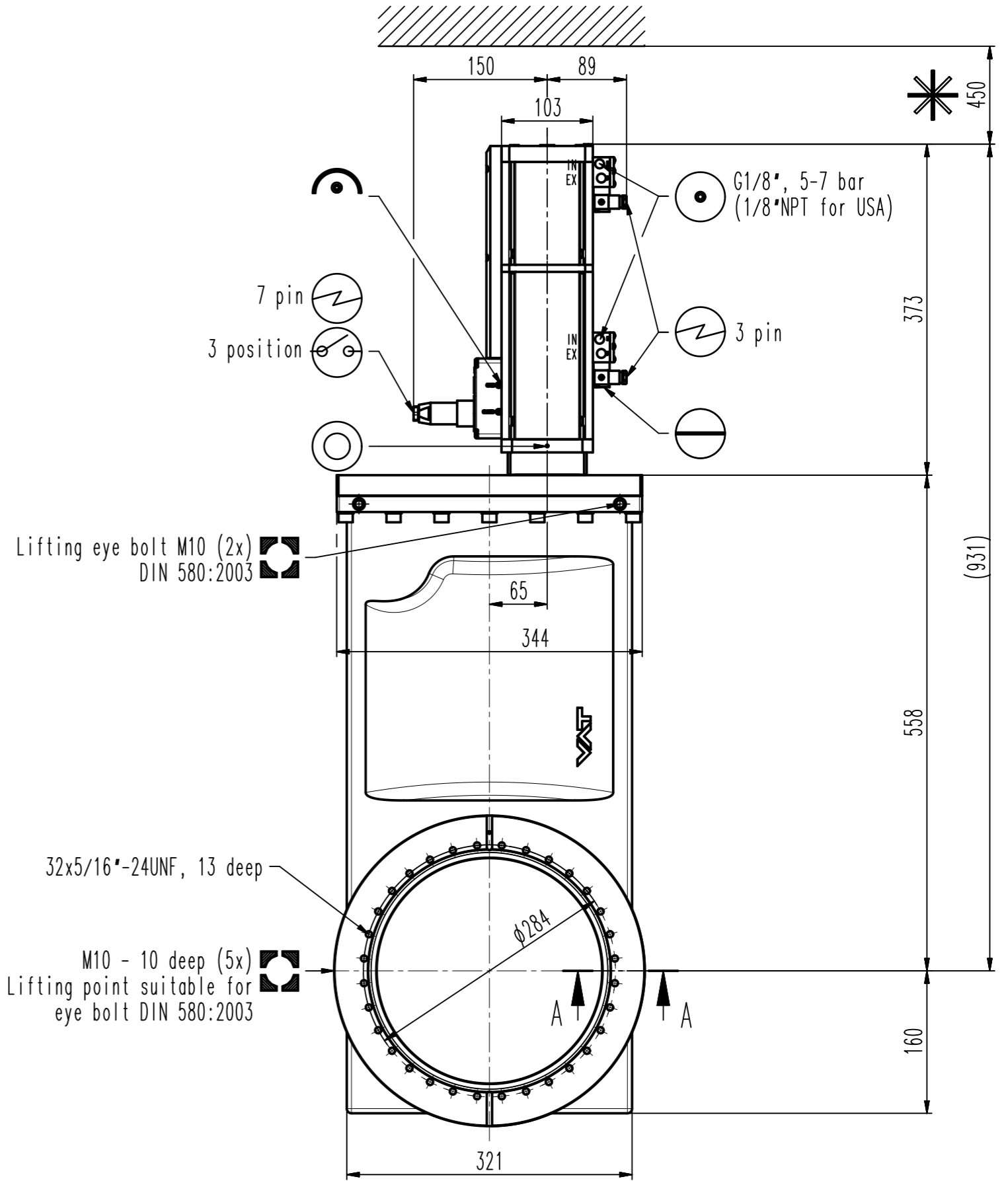
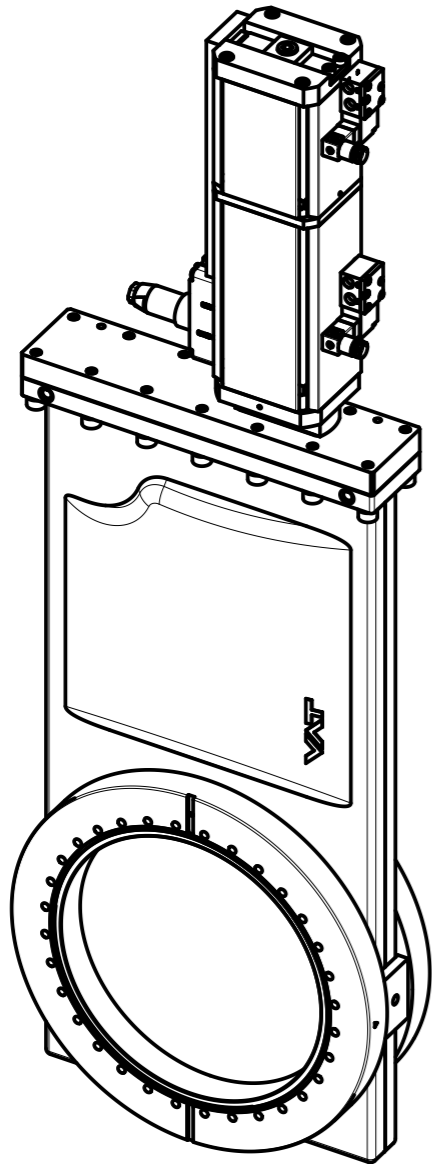
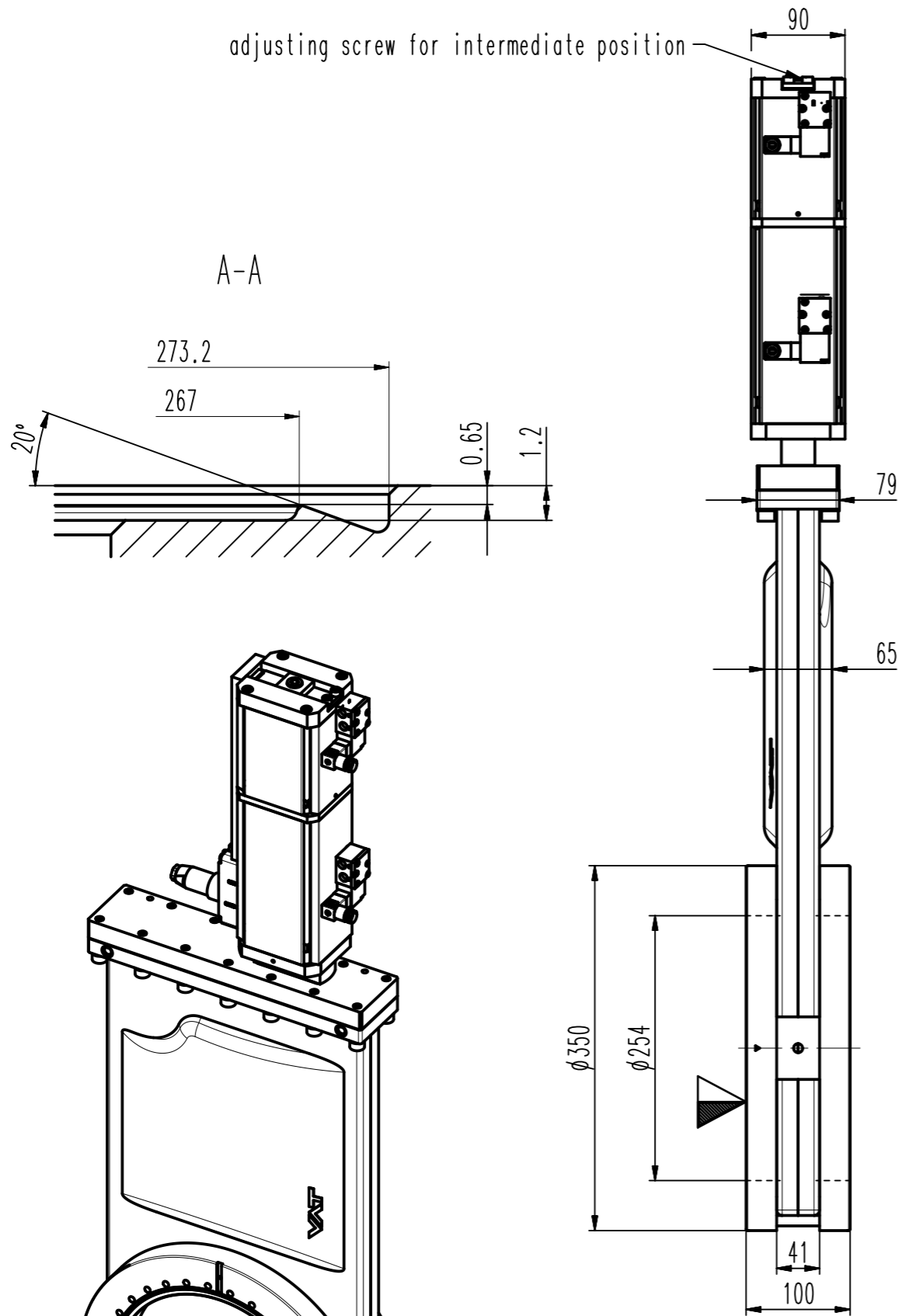


This drawing is the property of VAT.

Revision

Customer number



- ◀ Seat side
- Comp. air connection
- ⚡ Electrical connection
- Leak detection port
- ⤴ Mech. pos. indication
- ⊙ Position indicator
- ⚠ Required for dismantling
- ⚡ Emergency actuation
- For attachment
- ⦿ Bake-out area
- ⊙ Differential pumping port

**UHV gate valve**

**VAT** Vakuumentile AG  
 CH-9469 Haag, Switzerland  
 Tel ++41 81 7716161 Fax ++41 81 7714830

Rev.-Date: 30.06.11  
 Visa: PEM

Series	108	Ordering No.	10848-UE48-0007
Projection E	DN	Flange	
	250	CF-F UNF	
Dimensional Drawing	497739	Rev.	