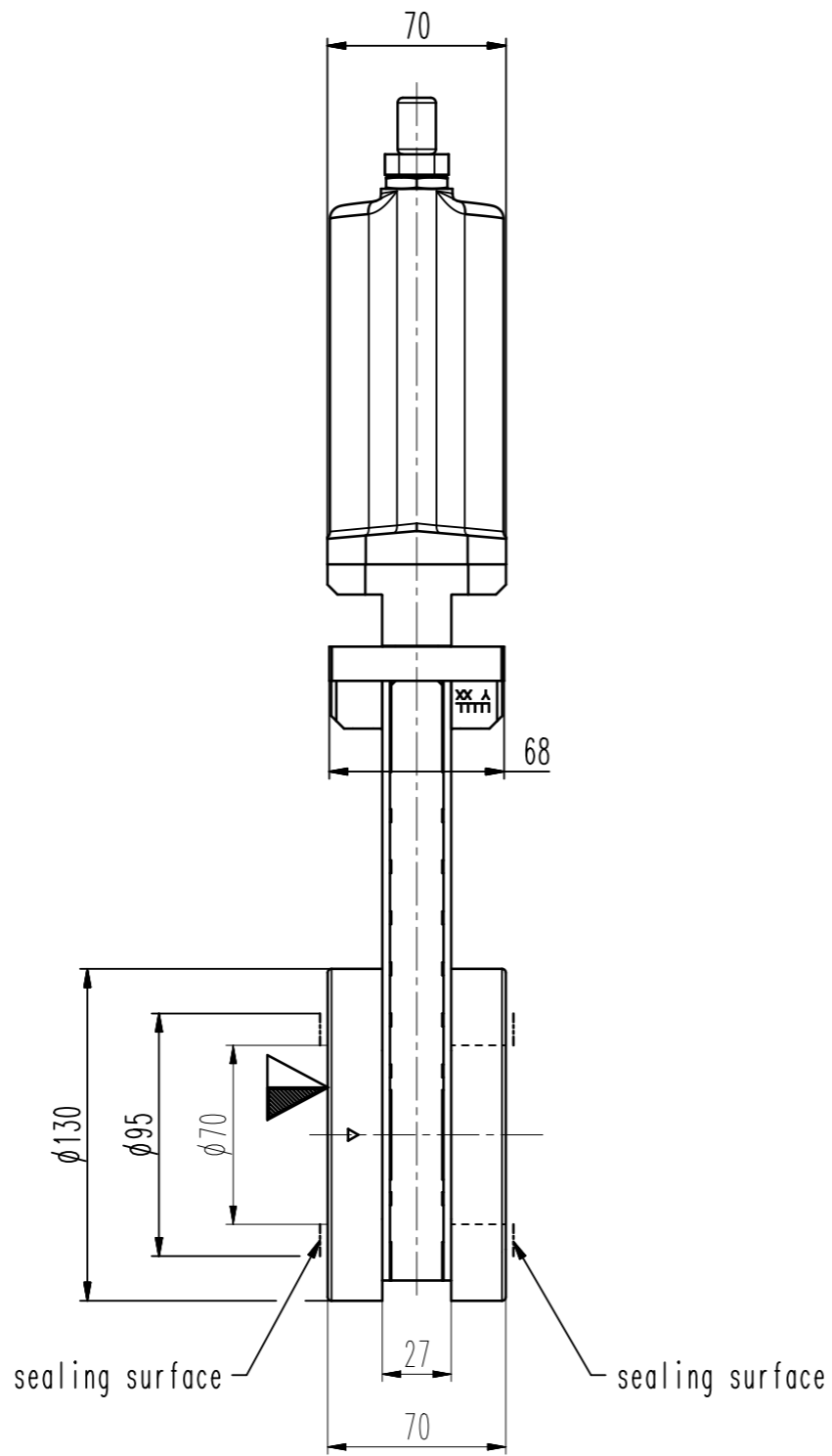
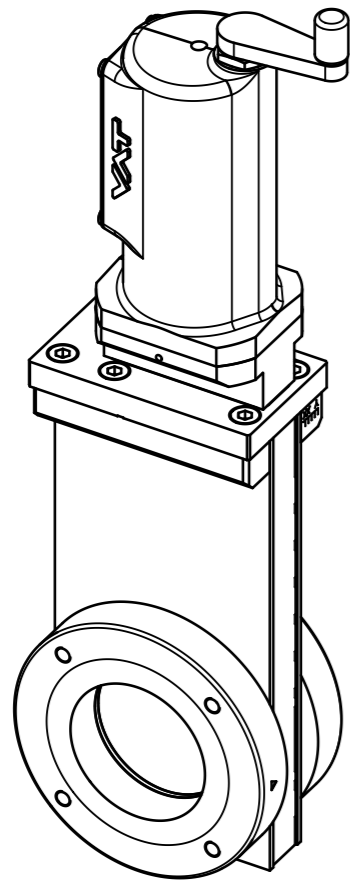


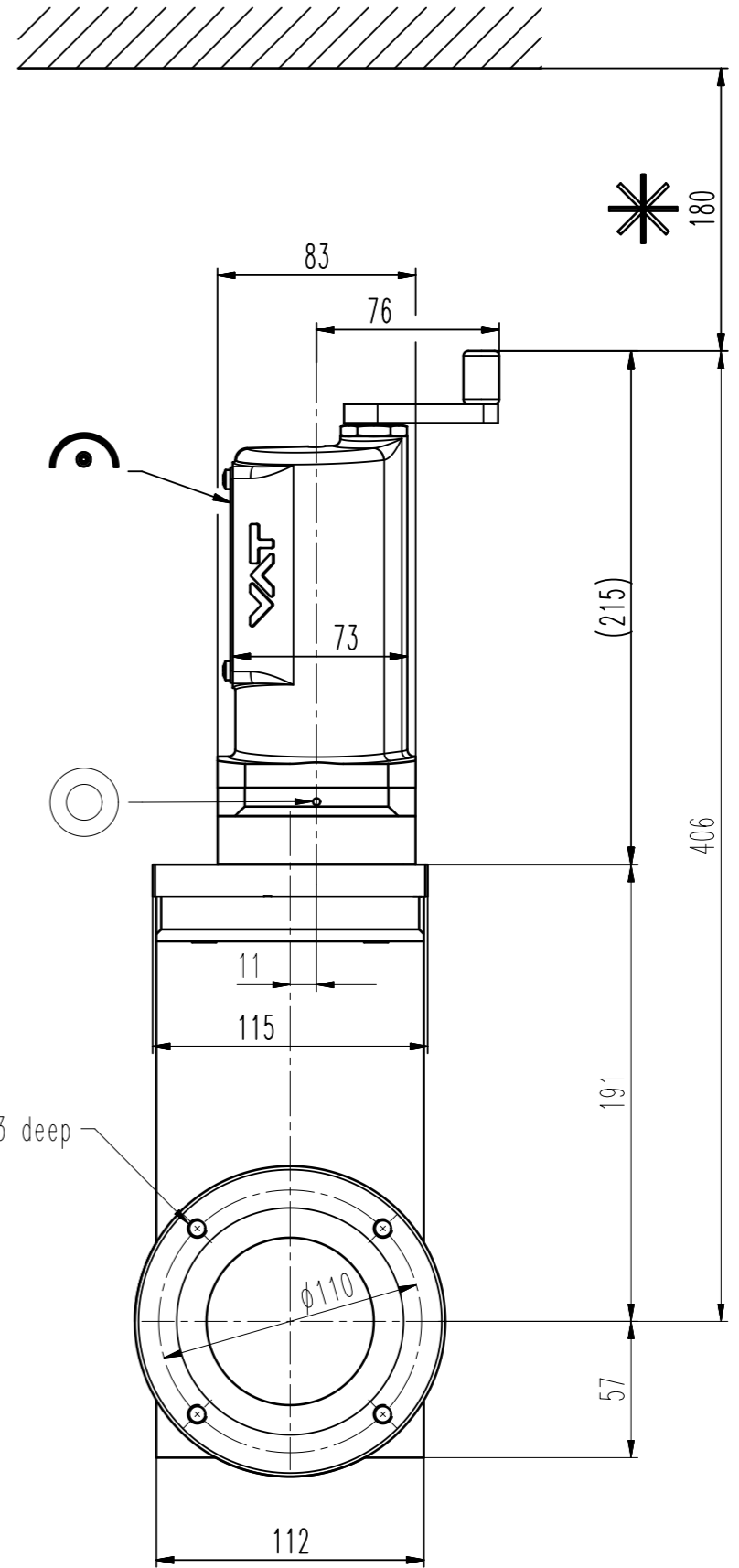
This drawing is the property of VAT.

Revision

Customer number



4x M8, 13 deep



- ▼ Seat side
- ⊙ Comp. air connection
- ⊙ Electrical connection
- ⊙ Leak detection port
- ⊙ Mech. pos. indication
- ⊙ Position indicator
- ⊙ Required for dismantling
- ⊙ Emergency actuation
- ⊙ For attachment
- ⊙ Bake-out area
- ⊙ Differential pumping port

### HV gate valve



VAT Vakuumentile AG  
 CH-9469 Haag, Switzerland  
 Tel ++41 81 7716161 Fax ++41 81 7714830

Rev.-Date: 26.04.21  
 Visa: WAR

Series	111	Ordering No.	11136-PE01-0001
Projection E	DN	Flange	
	63	ISO-F	
Dimensional Drawing	1087046	Rev.	A