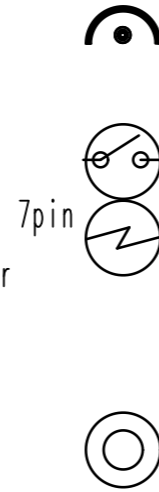
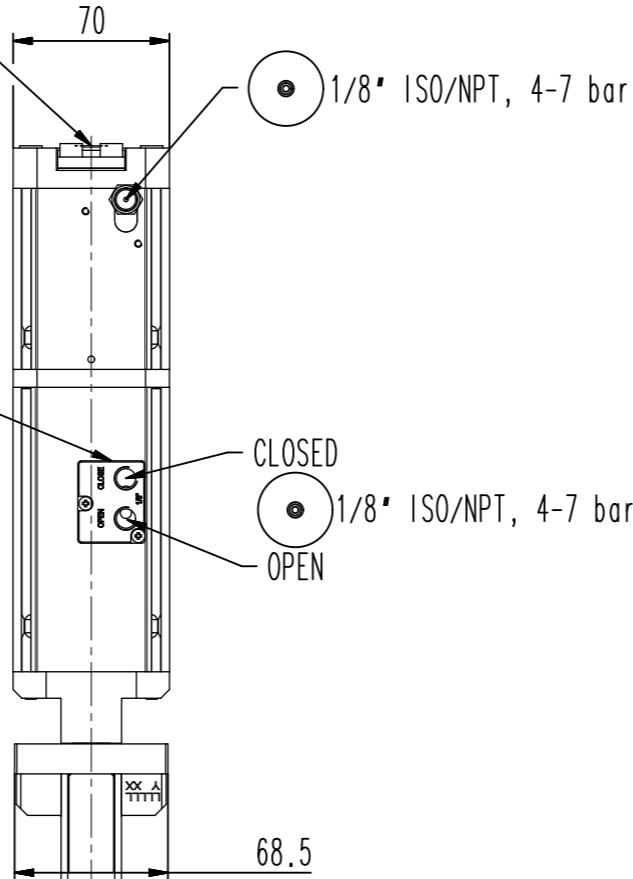
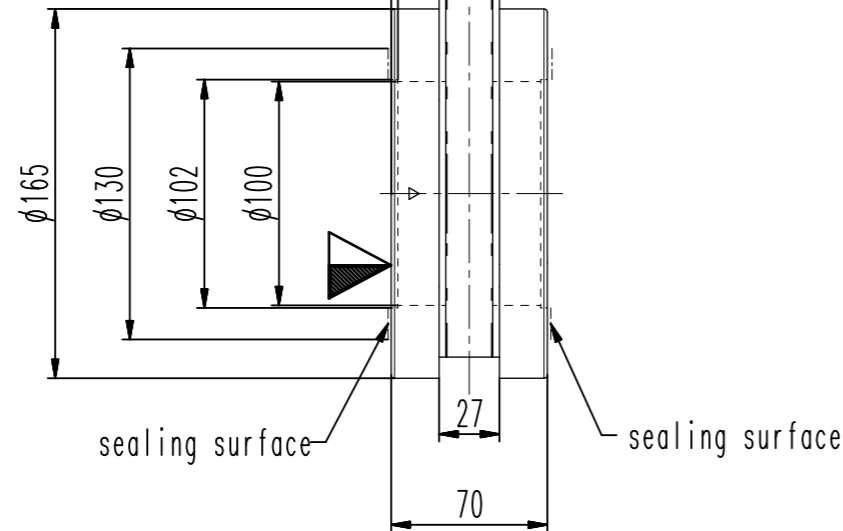
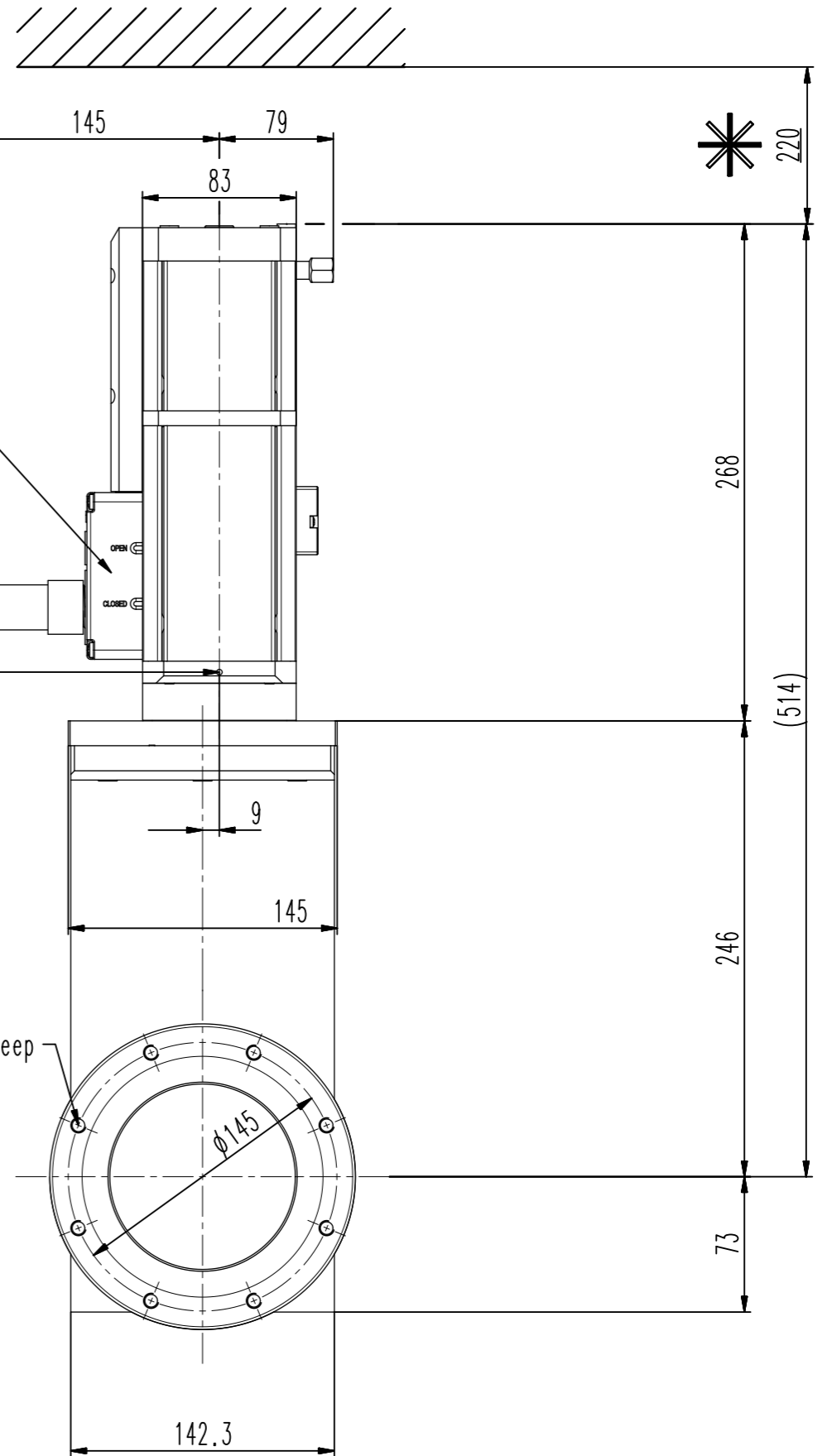


adjusting screw for intermediate position

2xM5 in air cylinder
(if adapter plate is removed)



8x M8, 13 deep



- ▼ Seat side
- ⊙ Comp. air connection
- ⊙ Electrical connection
- ⊙ Leak detection port
- ⊙ Mech. pos. indication
- ⊙ Position indicator
- ⊙ Required for dismantling
- ⊙ Emergency actuation
- ⊙ For attachment
- ⊙ Bake-out area
- ⊙ Differential pumping port

HV gate valve



VAT Vakuumventile AG
CH-9469 Haag, Switzerland
Tel ++41 81 7716161 Fax ++41 81 7714830

Rev.-Date: 23.06.22
Visa: FRRO

Series	111	Ordering No.	11140-PE28-0001
Projection E	DN	Flange	
	100	ISO-F	
Dimensional Drawing	1169693	Rev.	A