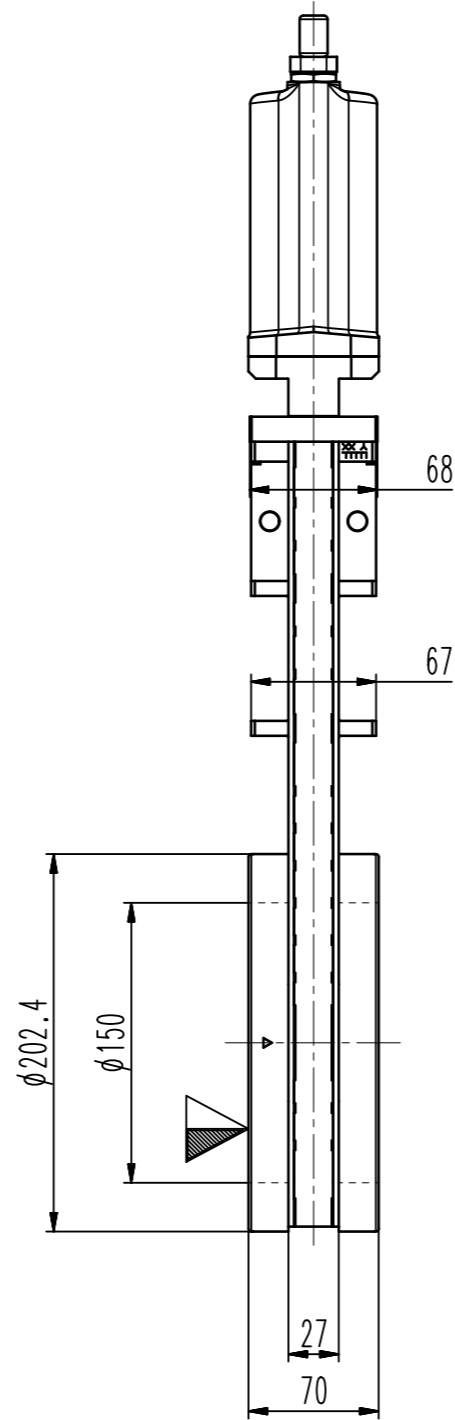
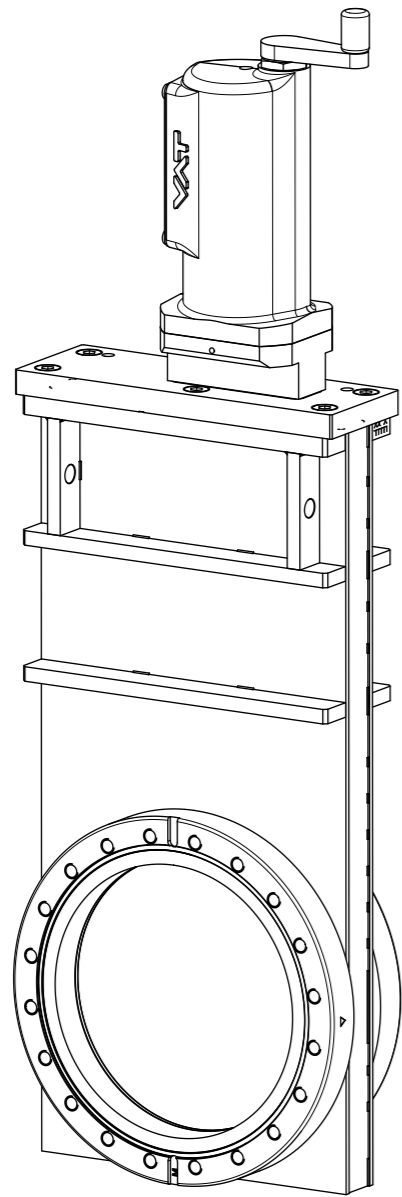


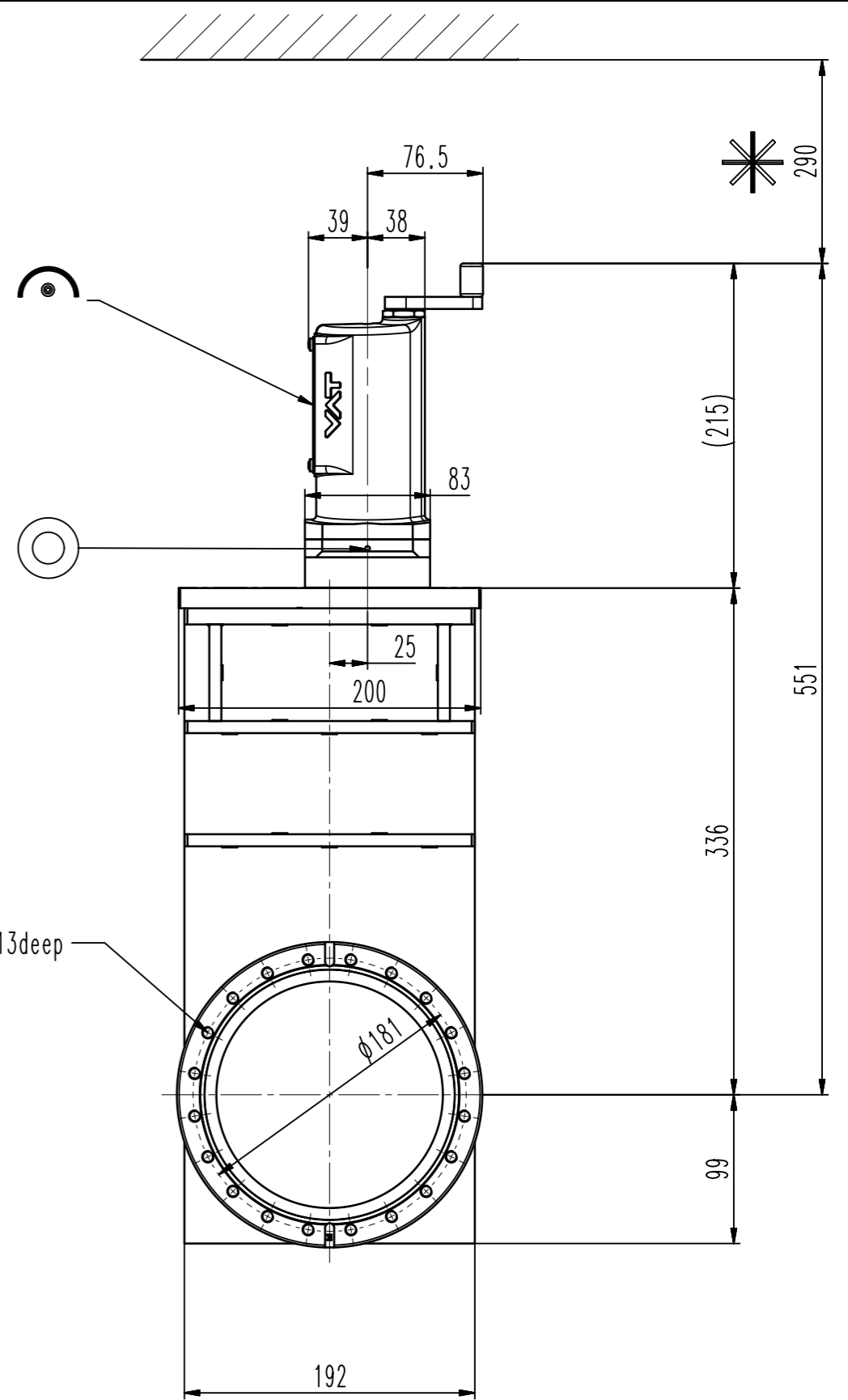
This drawing is the property of VAT.

Revision

Customer number



20x M8, 13deep



- ▼ Seat side
- ⊙ Comp. air connection
- ⊕ Electrical connection
- ⊖ Leak detection port
- ⊙ Mech. pos. indication
- ⊙ Position indicator
- ⊙ Required for dismantling
- ⊙ Emergency actuation
- ⊙ For attachment
- ⊙ Bake-out area
- ⊙ Differential pumping port

HV gate valve



VAT Vakuumventile AG

CH-9469 Haag, Switzerland
Tel ++41 81 7716161 Fax ++41 81 7714830

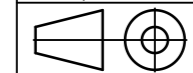
Rev.-Date: 07.04.21

Visa: BLO

Series

111

Projection E



Dimensional Drawing

Ordering No.

11144-CE01-0001

DN

160

Flange

CF-F m

1083935

Rev.

A

VAT/DA