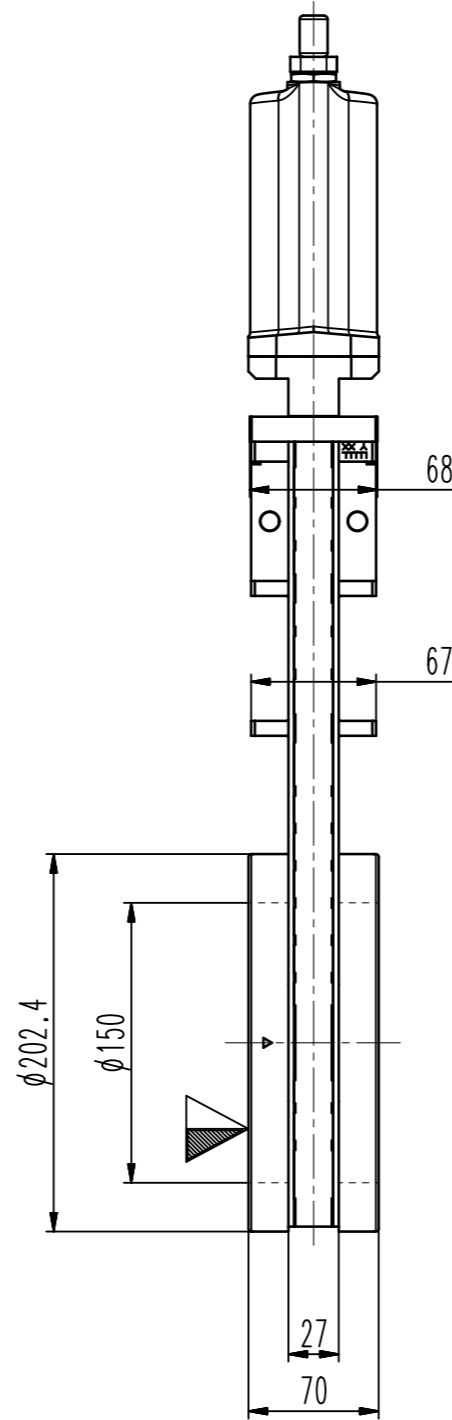
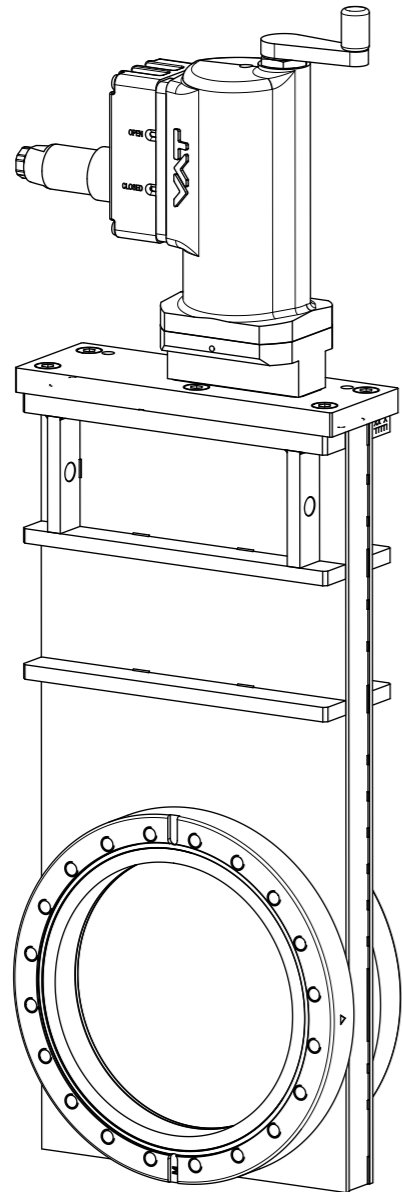


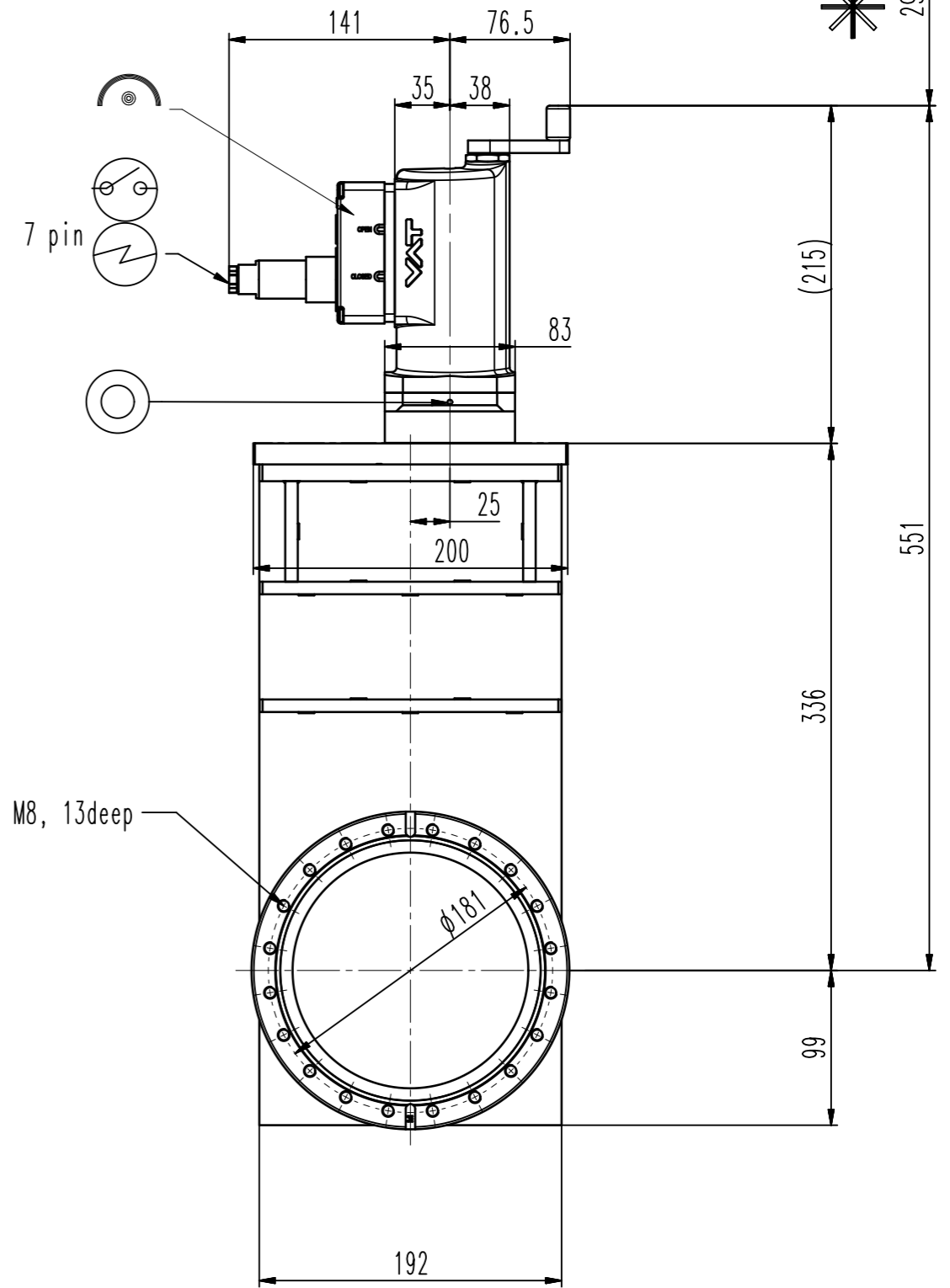
This drawing is the property of VAT.

Revision

Customer number



20x M8, 13deep



- ▼ Seat side
- ⊙ Comp. air connection
- ⊙ Electrical connection
- ⊙ Leak detection port
- ⊙ Mech. pos. indication
- ⊙ Position indicator
- ⊙ Required for dismantling
- ⊙ Emergency actuation
- ⊙ For attachment
- ⊙ Bake-out area
- ⊙ Differential pumping port

HV gate valve



VAT Vakuumventile AG
 CH-9469 Haag, Switzerland
 Tel ++41 81 7716161 Fax ++41 81 7714830

Rev.-Date: 29.04.22
 Visa: WAR

Series	111	Ordering No.	11144-CE08-0001
Projection E	DN	Flange	
	160	CF-F m	
Dimensional Drawing	1160450	Rev.	A