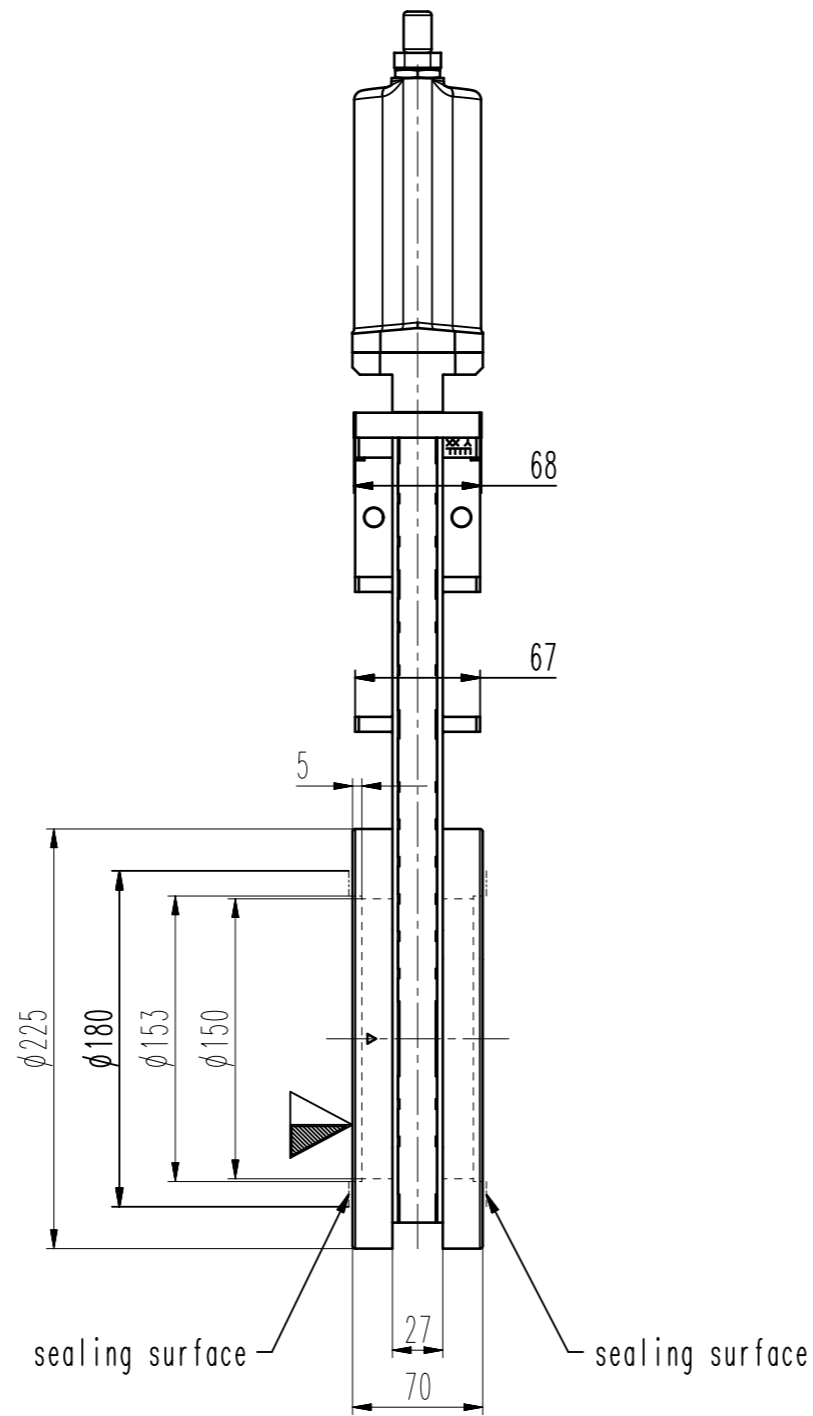
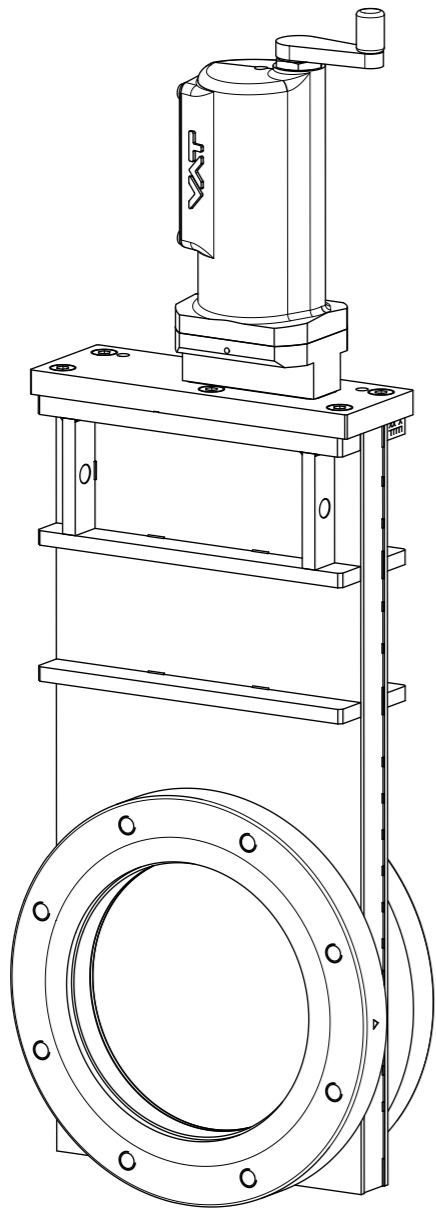


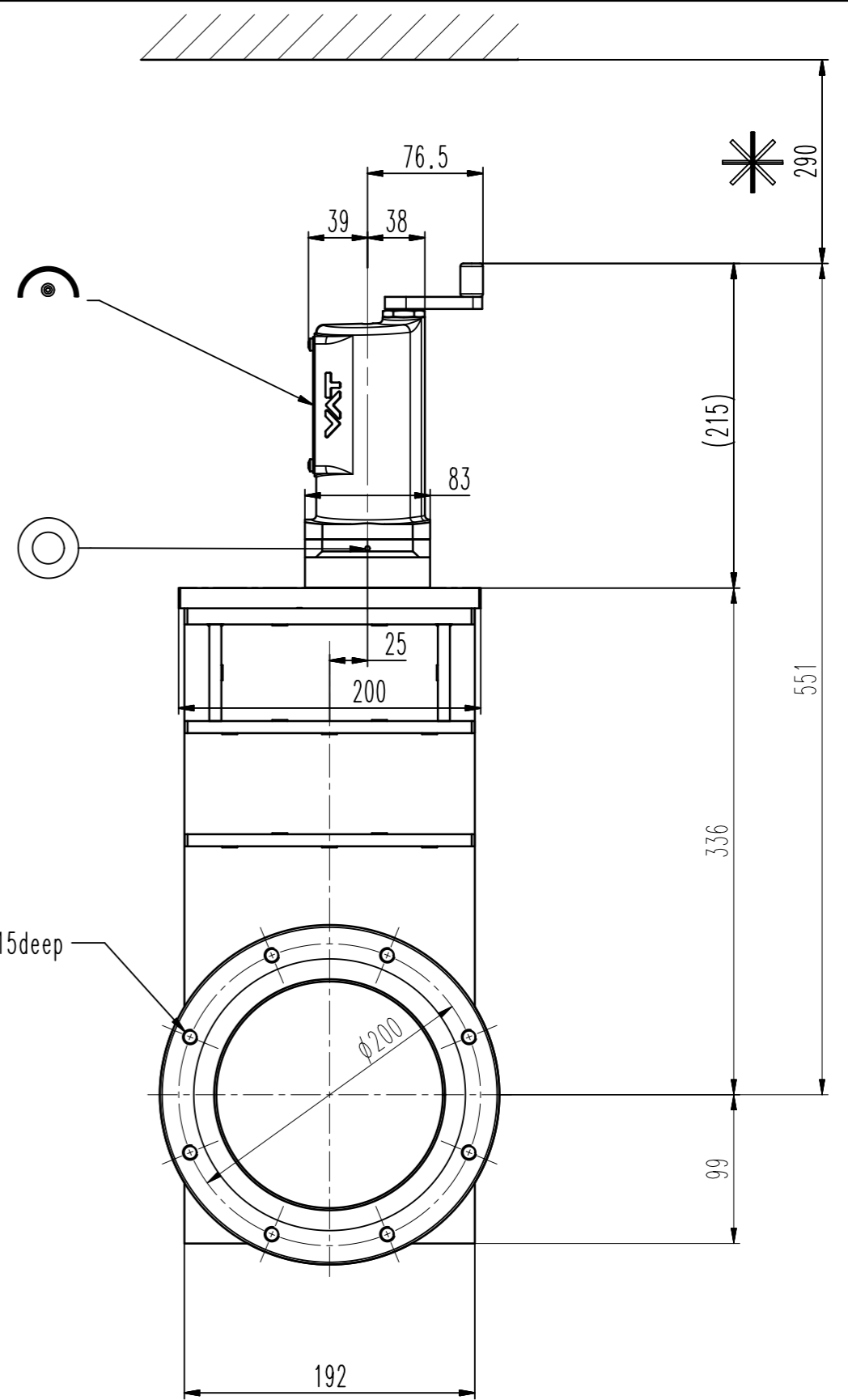
This drawing is the property of VAT.

Revision

Customer number



8x M10, 15deep



- ▼ Seat side
- ⊙ Comp. air connection
- ⊙ Electrical connection
- ⊙ Leak detection port
- ⊙ Mech. pos. indication
- ⊙ Position indicator
- ⊙ Required for dismantling
- ⊙ Emergency actuation
- ⊙ For attachment
- ⊙ Bake-out area
- ⊙ Differential pumping port

HV gate valve



VAT Vakuumventile AG
 CH-9469 Haag, Switzerland
 Tel ++41 81 7716161 Fax ++41 81 7714830

Rev.-Date: 22.03.21
 Visa: WAR

Series	111	Ordering No.	11144-PE01-0001
Projection E	DN	Flange	
	160	ISO-F	
Dimensional Drawing	1081929	Rev.	A