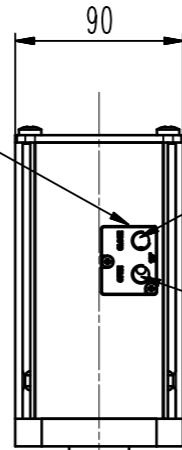


2xM5 in air cylinder
(if adapter plate is removed)



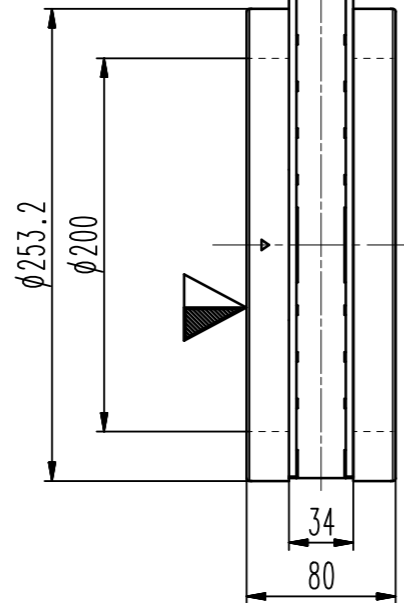
CLOSED



1/8" ISO/NPT, 4-7 bar

OPEN

4x $\phi 10$
lifting point



$\phi 253.2$

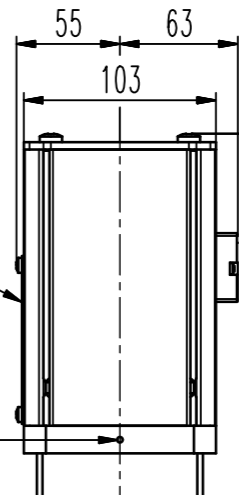
$\phi 200$

34

80

78

74



55

63

103



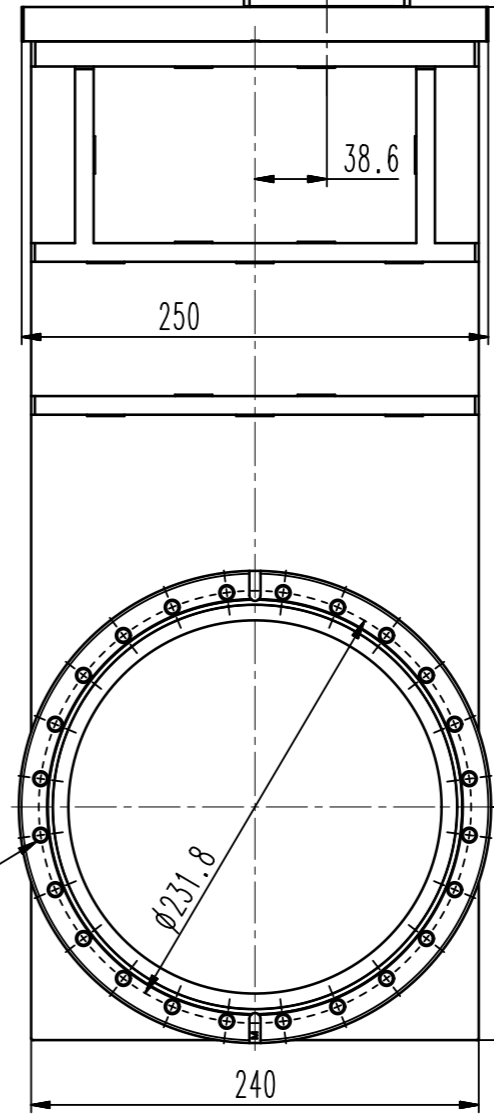
350

197

(626)

429

125



38.6

250

240

24x M8, 13 deep

$\phi 231.8$

- Seat side
- Comp. air connection
- Electrical connection
- Leak detection port
- Mech. pos. indication
- Position indicator
- Required for dismantling
- Emergency actuation
- For attachment
- Bake-out area
- Differential pumping port

HV gate valve



VAT Vakuumventile AG
CH-9469 Haag, Switzerland
Tel ++41 81 7716161 Fax ++41 81 7714830

Rev.-Date: 22.06.17
Visa: WEF

Series	111	Ordering No.	11146-CE14-0001
Projection E	DN	Flange	
	200	CF-F m	
Dimensional Drawing	899633	Rev.	