



VAT Vakuumventile AG
CH-9469 Haag, Schweiz

Product data sheet

HV gate valve, Series 111, DN none
Ordering No. 11146-PE48

Description

Flange	ISO-F 200
Actuator	pneumatic, double acting, with 3-position actuator – with solenoid valve – with position indicator
Feedthrough	Bellows

Technical data

Leak rate	– Valve body – Valve seat	$< 1 \cdot 10^{-9}$ mbar ls ⁻¹ $< 1 \cdot 10^{-9}$ mbar ls ⁻¹
Pressure range		$1 \cdot 10^{-8}$ mbar to 1.6 bar (abs)
Differential pressure on the gate		≤ 1.6 bar
Differential pressure at opening		≤ 30 mbar
Conductance (molecular flow)		12 200 ls ⁻¹
Cycles until first service		200 000 (unheated and under clean conditions)
Temperature (Maximum values: depending on operating conditions and sealing materials)	– Valve Body – Actuator – Solenoid valve – Position indicator	≤ 150 °C (bake-out max. 24h) ≤ 120 °C ≤ 50 °C ≤ 80 °C
Heating and cooling rate		50 °C h ⁻¹
Material (main components)	– Valve Body – Mechanism – Bellows – Bushing	AISI 304 (1.4301) AISI 316L (1.4404), AISI 304 (1.4301) AISI 316L (1.4404, 1.4435) Hydrocarbonate
Seal	– Bonnet – Gate – Actuator	FKM (Viton®) FKM (Viton®), vulcanized FKM (Viton®), NBR
Mounting position		any
Volume of pneumatic actuator		0.25 l / 0.0087 ft ³
Compressed air min. – max. overpressure		4 – 7 bar / 58 – 102 psi
Compressed air connection		G $\frac{1}{8}$ " ($\frac{1}{8}$ " NPT for USA)
Actuation time	– closing – opening	2 s 2 s
Weight		36 kg / 79.5 lbs
Behavior in case of compressed air pressure drop	– Valve closed – Valve open – Middle position	valve remains closed undefined undefined
Behavior in case of power failure	– Valve closed – Valve open – Middle position	valve remains closed valve closes valve closes

Created by: AUD	Release date: 26.05.2021	1/2
Modified by:	Release date:	1090759EA



VAT Vakuumentile AG
CH-9469 Haag, Schweiz

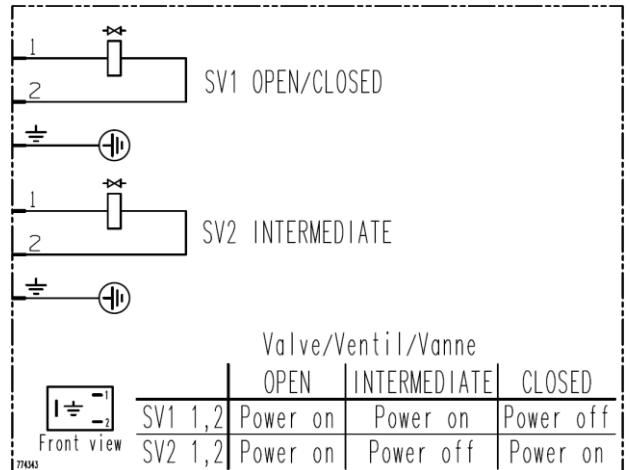
Product data sheet

HV gate valve, Series 111, DN none
Ordering No. 11146-PE48

Electrical connections

Solenoid valve

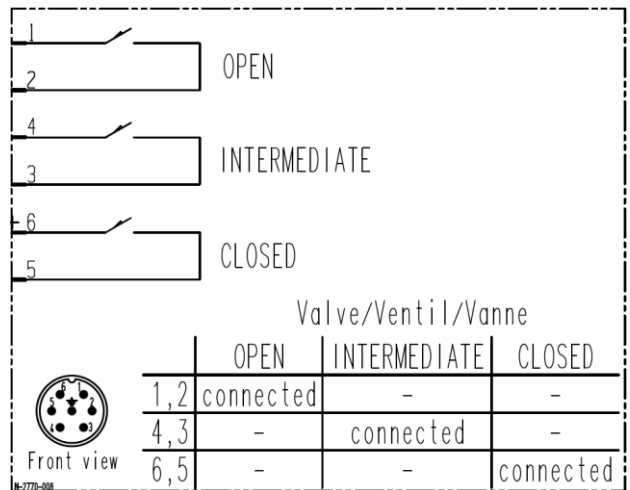
Type 4/2 way
Voltage Defined by order



Wiring diagram

Position indicator

Type Micro switch
Voltage ≤ 50 V AC / DC
Current max. ≤ 1.2 A



Wiring diagram

Created by: AUD	Release date: 26.05.2021	2/2
Modified by:	Release date:	1090759EA