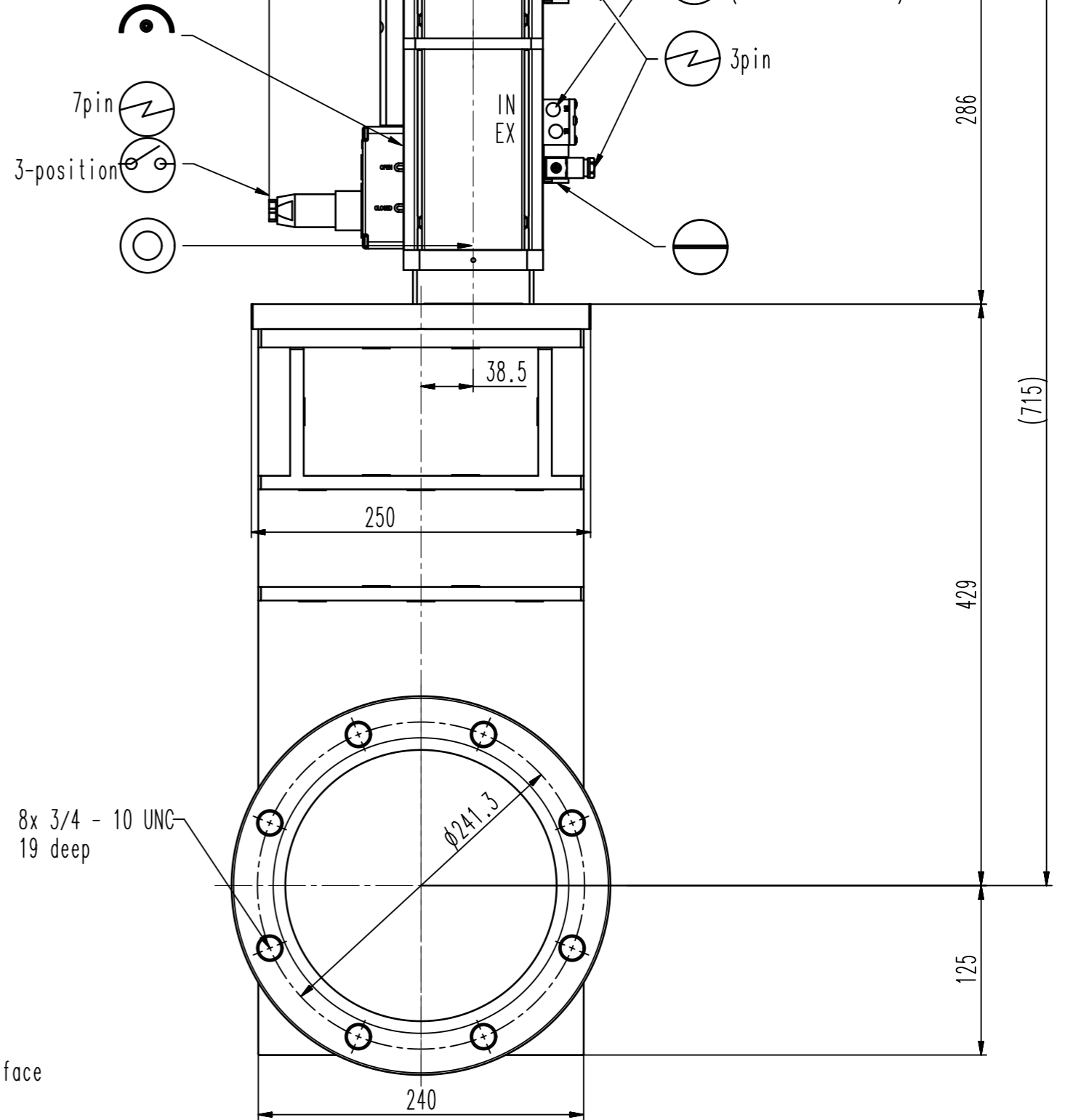
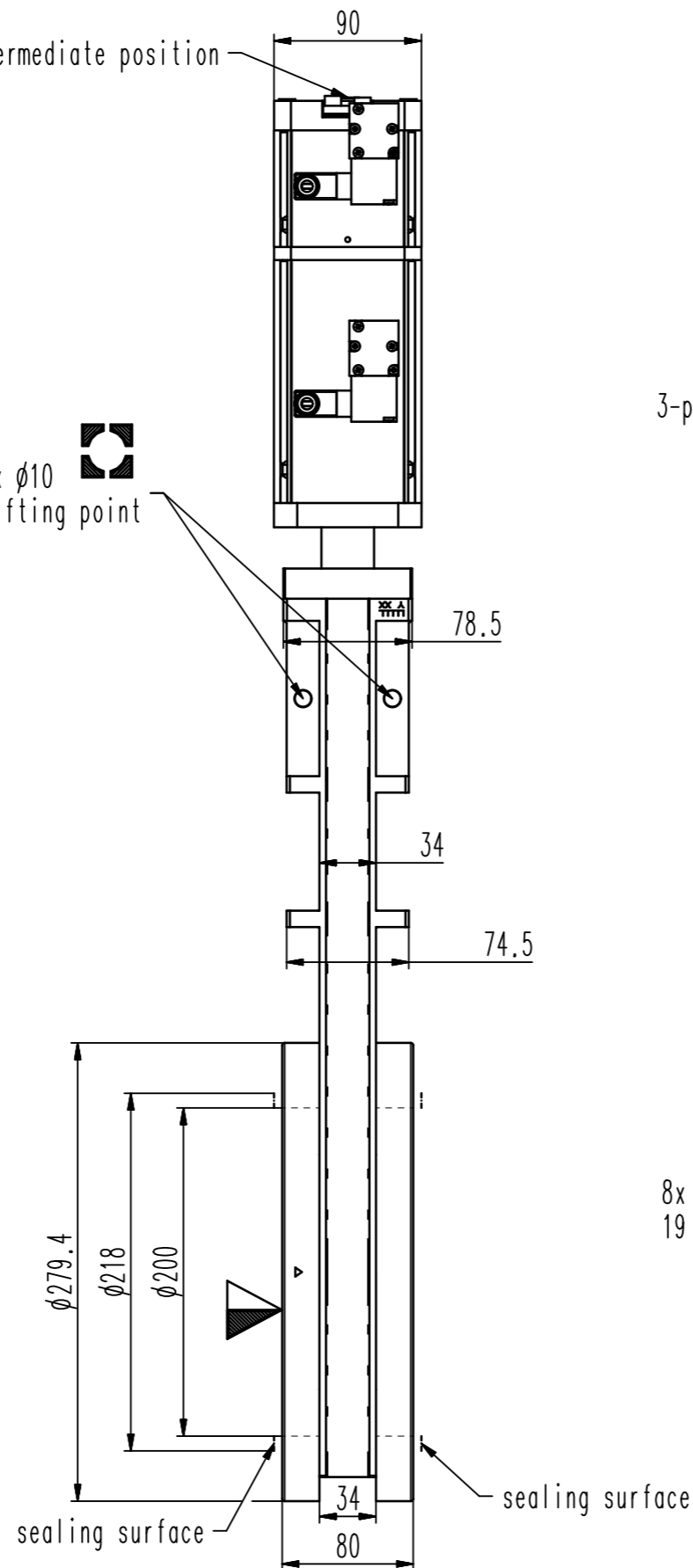


adjusting screw for intermediate position

4x  $\phi 10$   
lifting point



- Seat side
- Comp. air connection
- Electrical connection
- Leak detection port
- Mech. pos. indication
- Position indicator
- Required for dismantling
- Emergency actuation
- For attachment
- Bake-out area
- Differential pumping port

### HV gate valve



VAT Vakuumventile AG

CH-9469 Haag, Switzerland  
Tel ++41 81 7716161 Fax ++41 81 7714830

Rev.-Date: 13.07.21

Visa: BLO

Series	111	Ordering No.	11146-TE48-0001
Projection E	DN	Flange	ASA-LP
	200		
Dimensional Drawing	1116196	Rev.	A