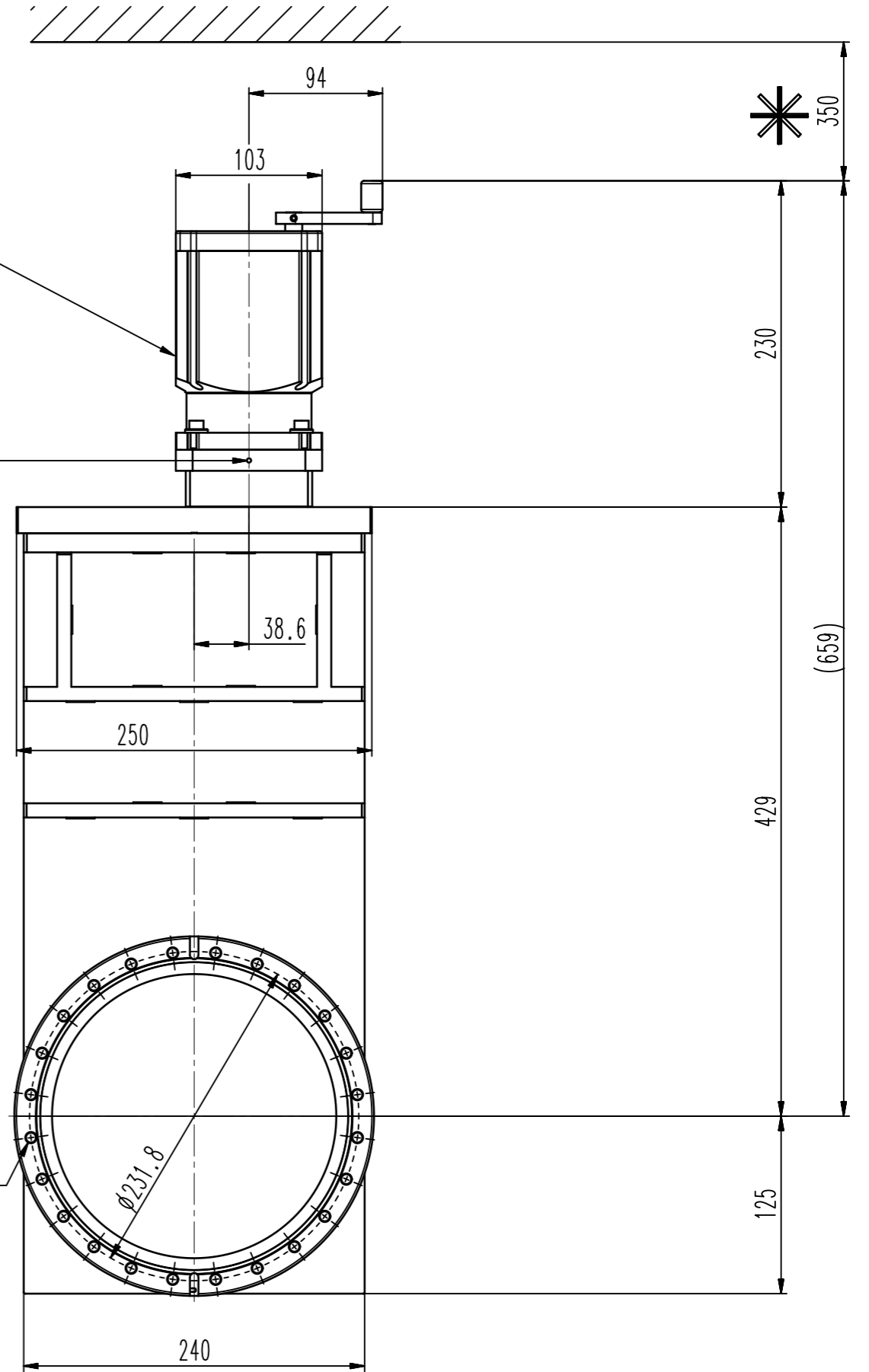
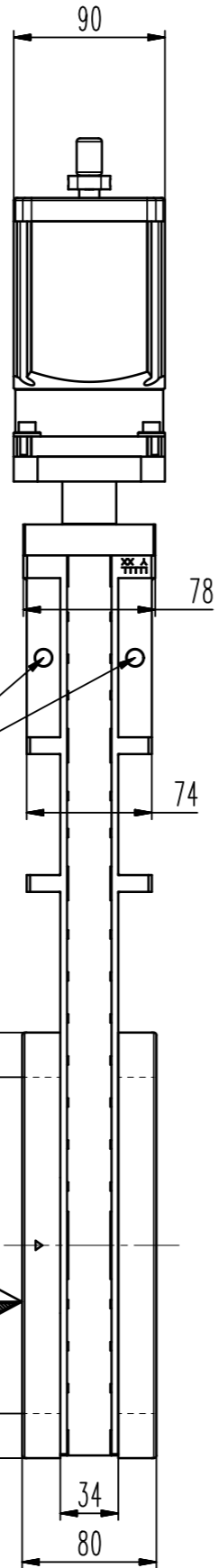
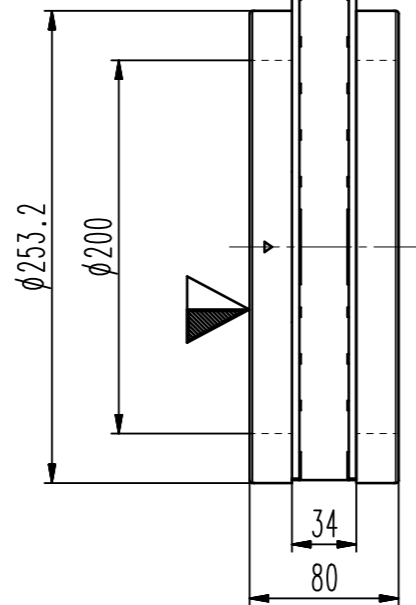


4x  $\phi 10$   
lifting point



24x 5/16"-24UNF, 13 deep

- Seat side
- Comp. air connection
- Electrical connection
- Leak detection port
- Mech. pos. indication
- Position indicator
- Required for dismantling
- Emergency actuation
- For attachment
- Bake-out area
- Differential pumping port

### HV gate valve



VAT Vakuumventile AG  
CH-9469 Haag, Switzerland  
Tel ++41 81 7716161 Fax ++41 81 7714830

Rev.-Date: 23.06.17  
Visa: WEF

|                     |        |              |                 |
|---------------------|--------|--------------|-----------------|
| Series              | 111    | Ordering No. | 11146-UE01-0001 |
| Projection E        | DN     | Flange       |                 |
|                     | 200    | CF-F UNF     |                 |
| Dimensional Drawing | 899742 | Rev.         |                 |