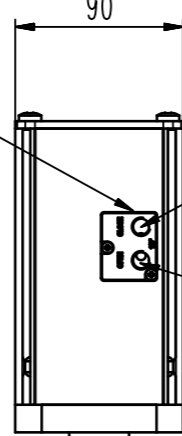


2xM5 in air cylinder  
(if adapter plate is removed)

90



CLOSED



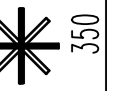
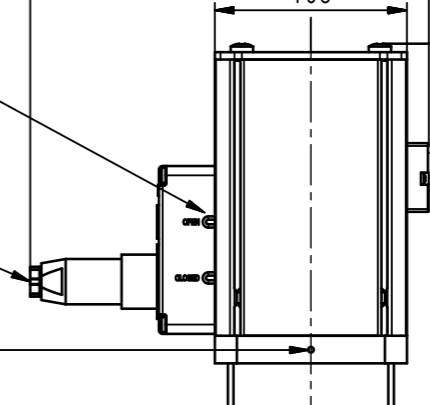
1/8" ISO/NPT, 4-7 bar

OPEN

7pin



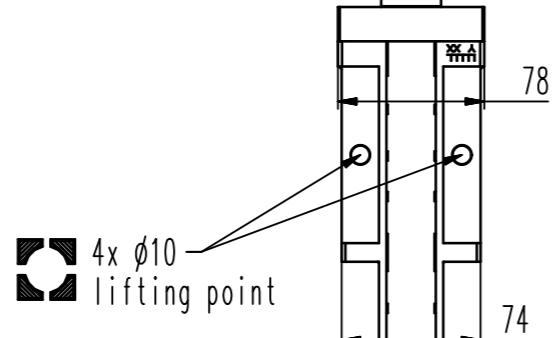
150 63 103



350

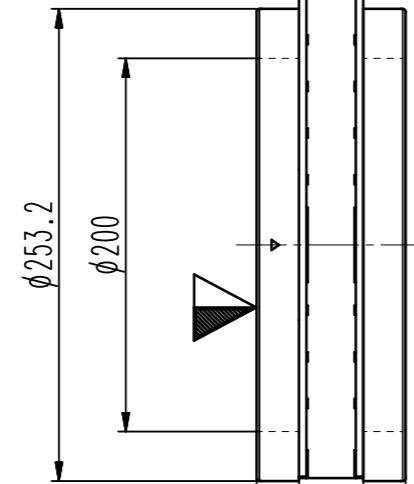
197

4x  $\phi 10$   
lifting point



78

74

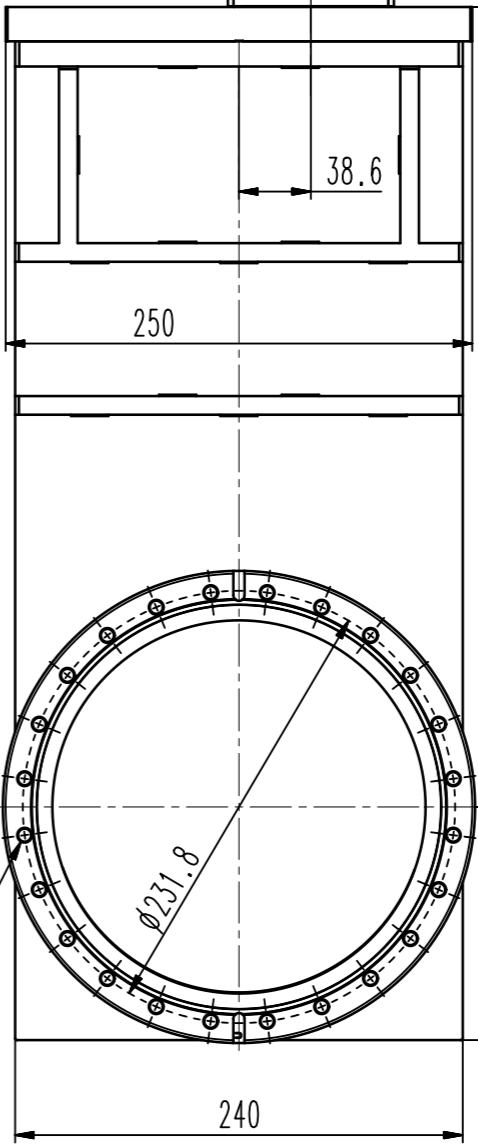


$\phi 253.2$

$\phi 200$

34

80



38.6

250

429

(626)

125

24x 5/16"-24UNF, 13 deep

$\phi 231.8$

240

- Seat side
- Comp. air connection
- Electrical connection
- Leak detection port
- Mech. pos. indication
- Position indicator
- Required for dismantling
- Emergency actuation
- For attachment
- Bake-out area
- Differential pumping port

HV gate valve



VAT Vakuumventile AG  
CH-9469 Haag, Switzerland  
Tel ++41 81 7716161 Fax ++41 81 7714830

Rev.-Date: 23.06.17  
Visa: WEF

Series	111	Ordering No.	11146-UE24-0001
Projection E	DN	Flange	
	200	CF-F UNF	
Dimensional Drawing	899754	Rev.	