



VAT Vakuumventile AG  
CH-9469 Haag, Schweiz

## Product data sheet

**HV gate valve, Series 111, DN none**  
**Ordering No. 11146-UE34**

### Description

Flange	CF-F UNF 200
Actuator	pneumatic, double acting – with solenoid valve
Feedthrough	Bellows

### Technical data

Leak rate	– Valve body	$< 1 \cdot 10^{-9}$ mbar ls <sup>-1</sup>
	– Valve seat	$< 1 \cdot 10^{-9}$ mbar ls <sup>-1</sup>
Pressure range		$1 \cdot 10^{-8}$ mbar to 1.6 bar (abs)
Differential pressure on the gate		$\leq 1.6$ bar
Differential pressure at opening		$\leq 30$ mbar
Conductance (molecular flow)		12'200 ls <sup>-1</sup>
Cycles until first service		200'000 (unheated and under clean conditions)
Temperature	– Valve Body	$\leq 150$ °C (bake-out max. 24h)
(Maximum values: depending on operating conditions and sealing materials)	– Actuator	$\leq 120$ °C
	– Solenoid valve	$\leq 50$ °C
	– Position indicator	$\leq 80$ °C
Heating and cooling rate		50 °C h <sup>-1</sup>
Material (main components)	– Valve Body	AISI 304 (1.4301)
	– Mechanism	AISI 316L (1.4404), AISI 304 (1.4301)
	– Bellows	AISI 316L (1.4404, 1.4435)
	– Bushing	Hydrocarbonate
Seal	– Bonnet	FKM (Viton®)
	– Gate	FKM (Viton®), O-ring
	– Actuator	FKM (Viton®), NBR
Mounting position		any
Volume of pneumatic actuator		0.25 l / 0.0087 ft <sup>3</sup>
Compressed air min. – max. overpressure		4 – 7 bar / 58 – 102 psi
Compressed air connection		G $\frac{1}{8}$ " (½" NPT for USA)
Actuation time	– closing	2 s
	– opening	2 s
Weight		29 kg / 64 lbs

Created by: NIW	Release date: 23.08.2021	1/2
Modified by:	Release date:	<b>1122634EA</b>



VAT Vakuumentile AG  
CH-9469 Haag, Schweiz

## Product data sheet

**HV gate valve, Series 111, DN none**  
**Ordering No. 11146-UE34**

Behavior in case of compressed air pressure drop – Valve closed  
– Valve open

valve remains closed  
undefined

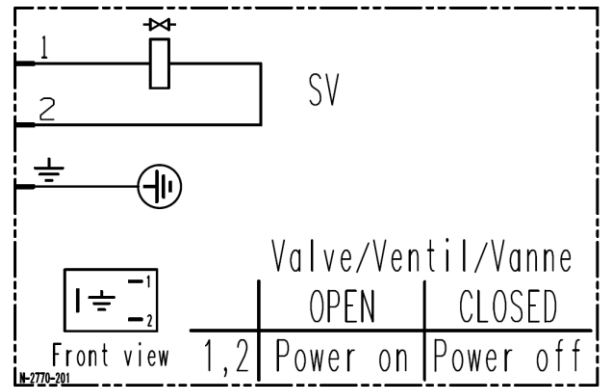
Behavior in case of power failure – Valve closed  
– Valve open

valve remains closed  
valve closes

### Electrical connections

#### Solenoid valve

Type 4/2 way  
Voltage Defined by order



Wiring diagram

Created by: NIW	Release date: 23.08.2021	2/2
Modified by:	Release date:	<b>1122634EA</b>