



VAT Vakuumventile AG  
CH-9469 Haag, Schweiz

## Product data sheet

**HV gate valve, Series 111, DN none**  
**Ordering No. 11146-UE44**

### Description

Flange	CF-F UNF 200
Actuator	pneumatic, double acting – with solenoid valve – with position indicator
Feedthrough	Bellows

### Technical data

Leak rate	– Valve body – Valve seat	$< 1 \cdot 10^{-9}$ mbar ls <sup>-1</sup> $< 1 \cdot 10^{-9}$ mbar ls <sup>-1</sup>
Pressure range		$1 \cdot 10^{-8}$ mbar to 1.6 bar (abs)
Differential pressure on the gate		$\leq 1.6$ bar
Differential pressure at opening		$\leq 30$ mbar
Conductance (molecular flow)		12 200 ls <sup>-1</sup>
Cycles until first service		200 000 (unheated and under clean conditions)
Temperature	– Valve Body – Actuator – Solenoid valve – Position indicator	$\leq 150$ °C (bake-out max. 24h) $\leq 120$ °C $\leq 50$ °C $\leq 80$ °C
(Maximum values: depending on operating conditions and sealing materials)		
Heating and cooling rate		50 °C h <sup>-1</sup>
Material (main components)	– Valve Body – Mechanism – Bellows – Bushing	AISI 304 (1.4301) AISI 316L (1.4404), AISI 304 (1.4301) AISI 316L (1.4404, 1.4435) Hydrocarbonate
Seal	– Bonnet – Gate – Actuator	FKM (Viton®) FKM (Viton®), O-ring FKM (Viton®), NBR
Mounting position		any
Volume of pneumatic actuator		0.25 l / 0.0087 ft <sup>3</sup>
Compressed air min. – max. overpressure		4 – 7 bar / 58 – 102 psi
Compressed air connection		G $\frac{1}{8}$ " (½" NPT for USA)
Actuation time	– closing – opening	2 s 2 s
Weight		29 kg / 64 lbs
Behavior in case of compressed air pressure drop	– Valve closed – Valve open	valve remains closed undefined
Behavior in case of power failure	– Valve closed – Valve open	valve remains closed valve closes

Created by: SCHMC	Release date: 11.10.2019	1/2
Modified by:	Release date:	<b>1001246EA</b>



VAT Vakuumventile AG  
CH-9469 Haag, Schweiz

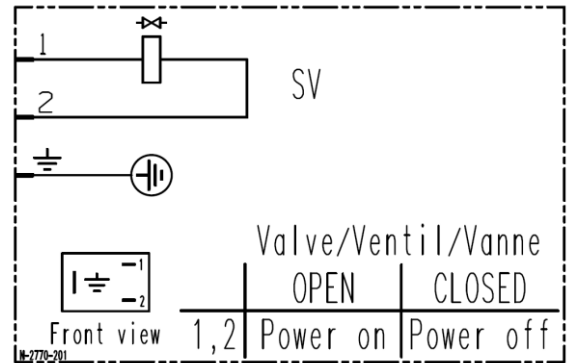
## Product data sheet

**HV gate valve, Series 111, DN none**  
**Ordering No. 11146-UE44**

### Electrical connections

#### Solenoid valve

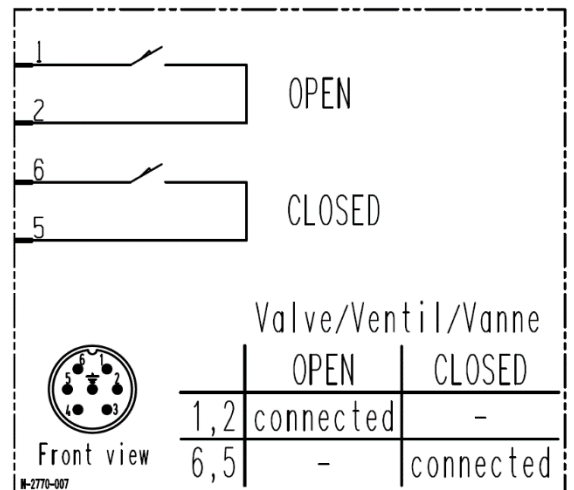
Type 4/2 way  
Voltage Defined by order



Wiring diagram

#### Position indicator

Type Micro switch  
Voltage  $\leq 50$  V AC / DC  
Current max.  $\leq 1.2$  A



Wiring diagram

Created by: SCHMC	Release date: 11.10.2019	2/2
Modified by:	Release date:	<b>1001246EA</b>