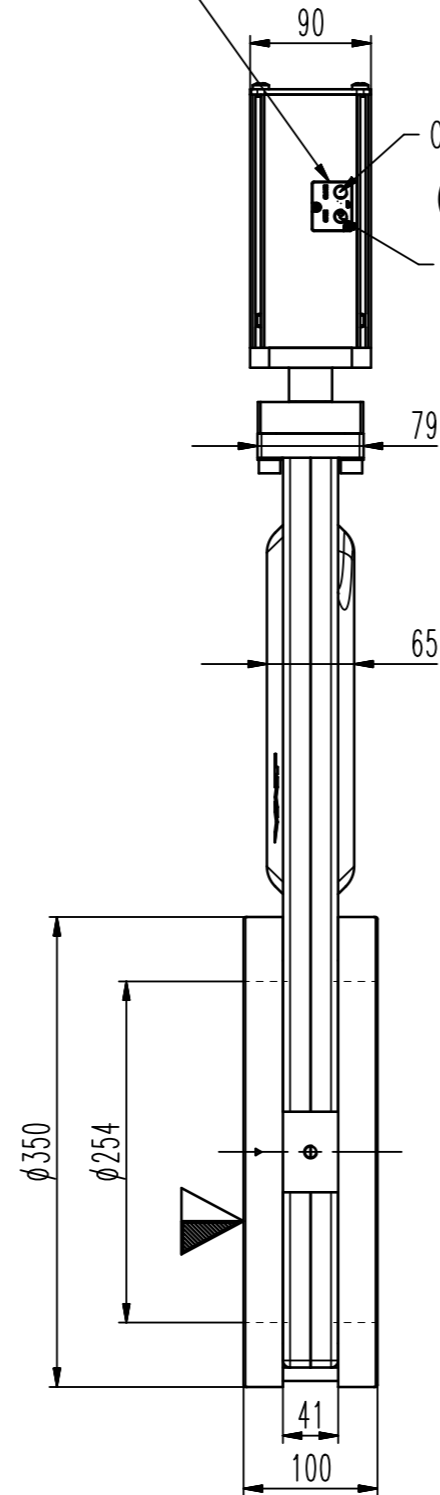


2xM5 (10-32 UNF suitable) in air cylinder if adapter plate is removed



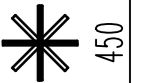
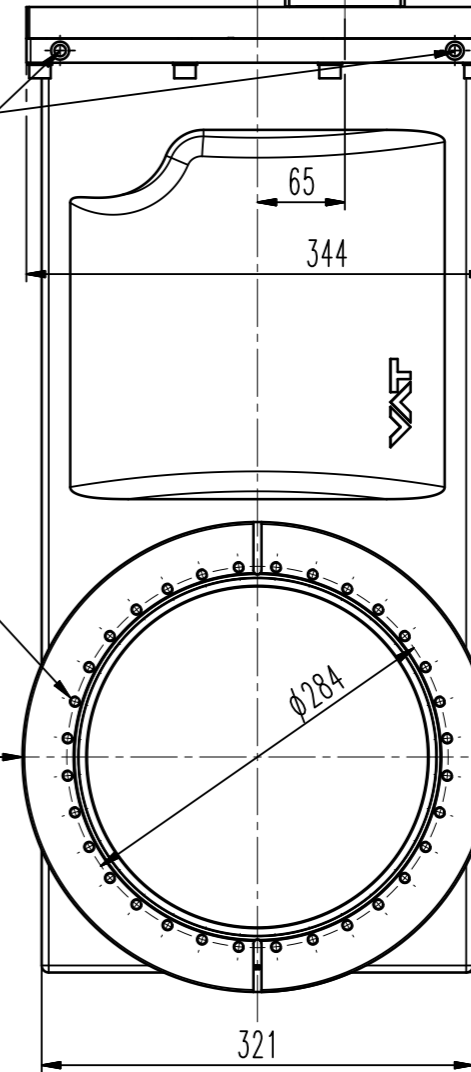
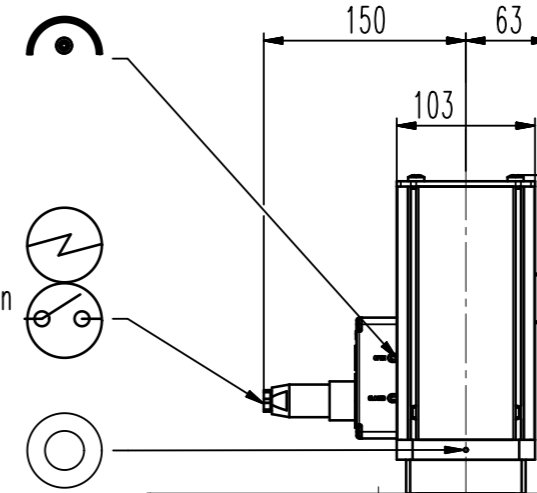
CLOSED
OPEN

1/8" ISO/NPT, 5-7 bar 7 pin

Lifting eye bolt M10 (2x)
DIN 580:2003

32x M8, 13 deep

M10 - 10 deep (5x)
Lifting point suitable for
eye bolt DIN 580:2003



450

237

558

160

(796)

- ▼ Seat side
- ⊙ Comp. air connection
- ⊕ Electrical connection
- ⊖ Leak detection port
- ⊙ Mech. pos. indication
- ⊙ Position indicator
- ⊙ Required for dismantling
- ⊙ Emergency actuation
- ⊙ For attachment
- ⊙ Bake-out area
- ⊙ Differential pumping port

HV gate valve



VAT Vakuumventile AG

CH-9469 Haag, Switzerland
Tel ++41 81 7716161 Fax ++41 81 7714830

Rev.-Date: 20.04.21

Visa: BLO

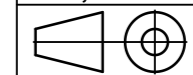
Series

111

Ordering No.

11148-CE24-0001

Projection E



DN

250

Flange

CF-F m

Dimensional
Drawing

1086111

Rev.

A