



VAT Vakuumventile AG  
CH-9469 Haag, Schweiz

## Produktdatenblatt

**HV-Schieber, Reihe 111, DN 250**  
**Bestellnummer 11148-CE48**

### Description

Flange	CF-F 250
Actuator	pneumatic, double acting, with 3 position acuator – with solenoid valve – with position indicator
Feedthrough	Bellows

### Technical data

Leak rate	– Valve body – Valve seat	$< 1 \cdot 10^{-9}$ mbar ls <sup>-1</sup> $< 1 \cdot 10^{-9}$ mbar ls <sup>-1</sup>
Pressure range		$1 \cdot 10^{-8}$ mbar to 1.2 bar (abs)
Differential pressure on the gate		$\leq 1.2$ bar
Differential pressure at opening		$\leq 30$ mbar
Conductance (molecular flow)		21 690 ls <sup>-1</sup>
Cycles until first service		200 000 (unheated and under clean conditions)
Temperature	– Valve Body – Actuator – Solenoid valve – Position indicator	$\leq 150$ °C (bake-out max. 24h) $\leq 120$ °C $\leq 50$ °C $\leq 80$ °C
(Maximum values: depending on operating conditions and sealing materials)		
Heating and cooling rate		50 °C h <sup>-1</sup>
Material (main components)	– Valve Body – Mechanism – Bellows – Bushing	AISI 304 (1.4301) AISI 316L (1.4404), AISI 304 (1.4301) AISI 316L (1.4404, 1.4435) Hydrocarbonate
Seal	– Bonnet – Gate – Actuator	FKM (Viton®) FKM (Viton®), O-ring FKM (Viton®), NBR
Mounting position		any
Volume of pneumatic actuator		0.35 l / 0.0122 ft <sup>3</sup>
Compressed air min. – max. overpressure		5 – 7 bar / 73 – 102 psi
Compressed air connection		G $\frac{1}{8}$ " (½" NPT for USA)
Actuation time	– closing – opening	4 s 4 s
Weight		56 kg / 123 lbs
Behavior in case of compressed air pressure drop	– Valve closed – Valve open – Middle position	valve remains closed undefined undefined
Behavior in case of power failure	– Valve closed – Valve open – Middle position	valve remains closed valve closes valve closes

Erstellt von: AUD	Freigabedatum: 03.06.2021	1/2
Geändert durch:	Freigabedatum:	<b>1093025DA</b>



VAT Vakuumventile AG  
CH-9469 Haag, Schweiz

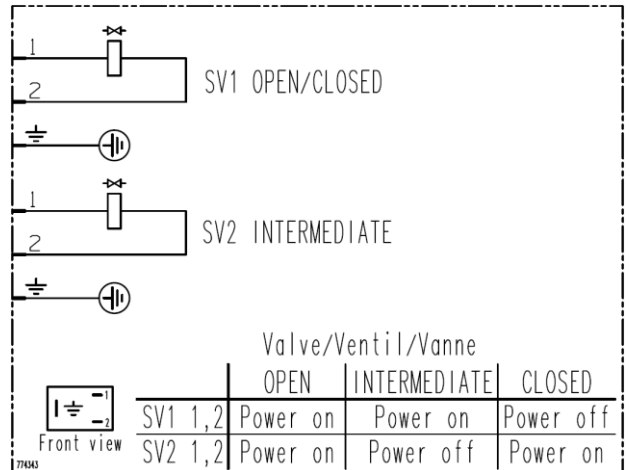
## Produktdatenblatt

**HV-Schieber, Reihe 111, DN 250**  
**Bestellnummer 11148-CE48**

### Electrical connections

#### Solenoid valve

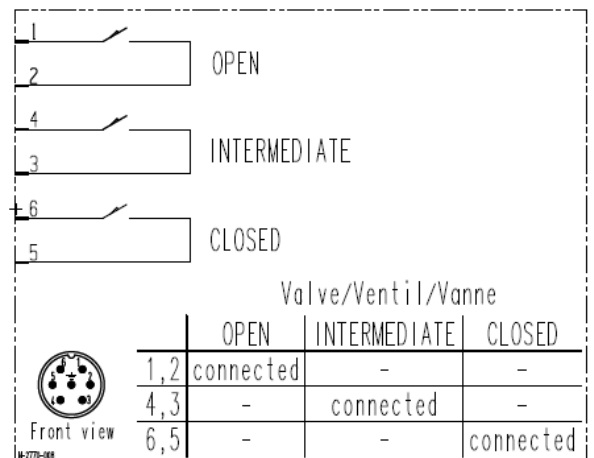
Type 4/2 way  
Voltage Defined by order



Wiring diagram

#### Position indicator

Type: Intermediate Micro switch  
Voltage  $\leq 50$  V DC  
Current max.  $\leq 1.2$  A



Wiring diagram

Erstellt von: AUD	Freigabedatum: 03.06.2021	2/2
Geändert durch:	Freigabedatum:	<b>1093025DA</b>