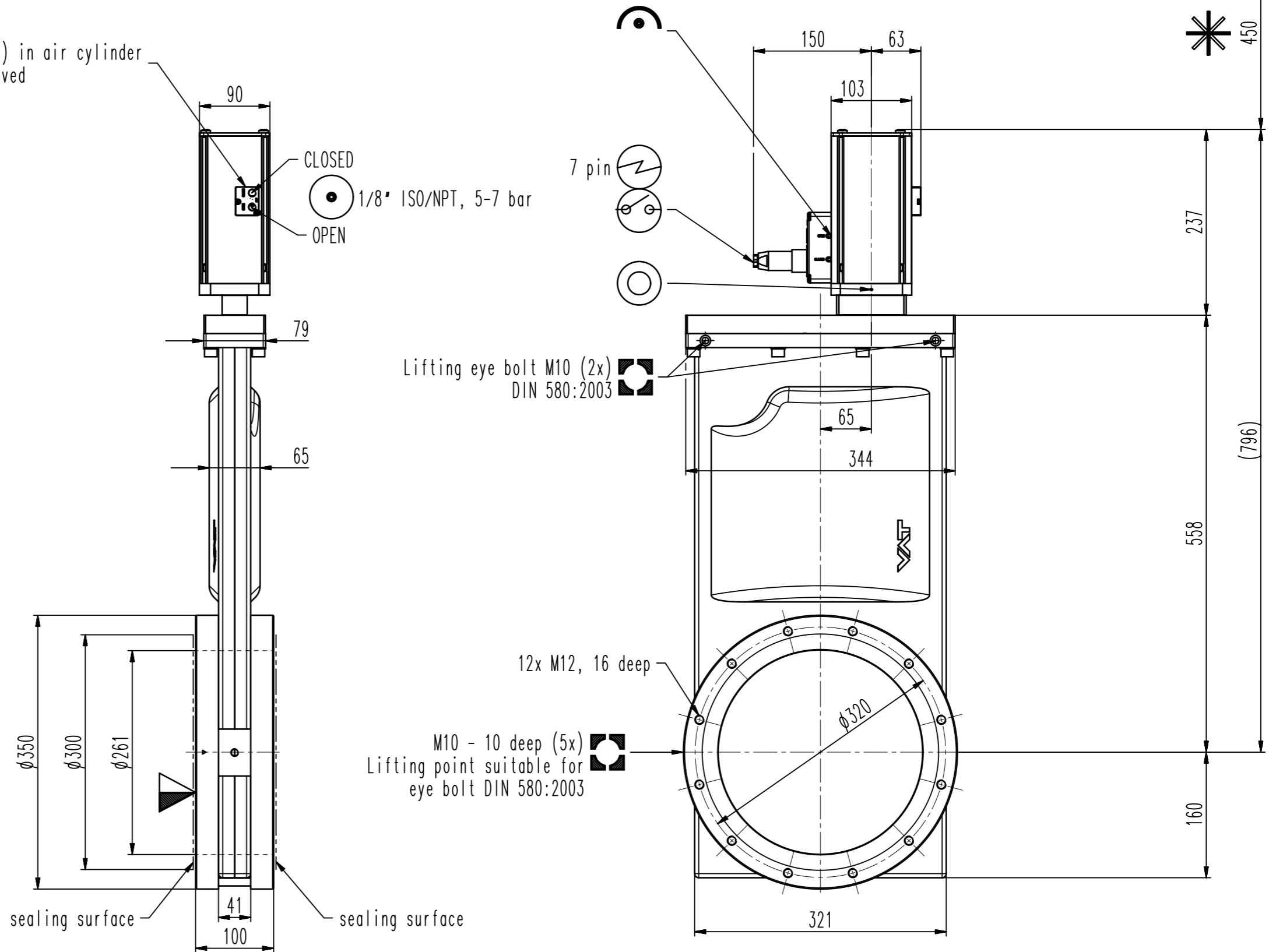


2xM5 (10-32 UNF suitable) in air cylinder if adapter plate is removed



- ▼ Seat side
- ⊙ Comp. air connection
- ⊙ Electrical connection
- ⊙ Leak detection port
- ⊙ Mech. pos. indication
- ⊙ Position indicator
- ⊙ Required for dismantling
- ⊙ Emergency actuation
- ⊙ For attachment
- ⊙ Bake-out area
- ⊙ Differential pumping port

HV gate valve



VAT Vakuumventile AG
 CH-9469 Haag, Switzerland
 Tel ++41 81 7716161 Fax ++41 81 7714830

Rev.-Date: 16.09.21
 Visa: FRRO

Series	111	Ordering No.	11148-JE24-0001
Projection E	DN	Flange	JIS
	250		
Dimensional Drawing	1126168	Rev.	A