

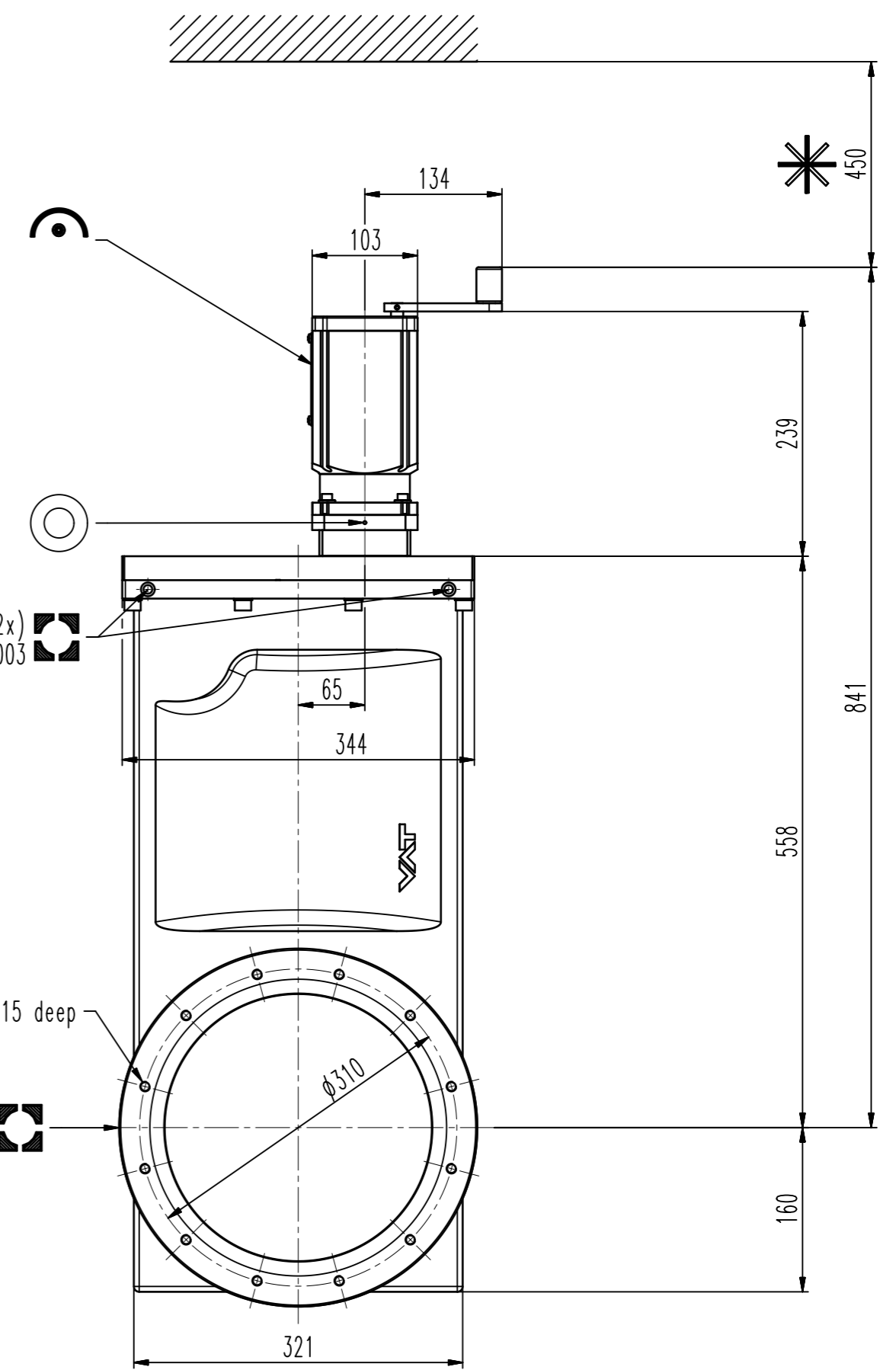
Lifting eye bolt M10 (2x)  
DIN 580:2003

12x M10, 15 deep

M10 - 10 deep (5x)  
Lifting point suitable for  
eye bolt DIN 580:2003

sealing surface

sealing surface



- ▼ Seat side
- ⊙ Comp. air connection
- ⊙ Electrical connection
- ⊙ Leak detection port
- ⊙ Mech. pos. indication
- ⊙ Position indicator
- ⊙ Required for dismantling
- ⊙ Emergency actuation
- ⊙ For attachment
- ⊙ Bake-out area
- ⊙ Differential pumping port

**HV gate valve**

**VAT** VAT Vakuumventile AG  
CH-9469 Haag, Switzerland  
Tel ++41 81 7716161 Fax ++41 81 7714830

Rev.-Date: 08.08.17  
Visa: WEF

Series	111	Ordering No.	11148-PE01-0001
Projection E	DN	Flange	
	250	ISO-F	
Dimensional Drawing	905292	Rev.	