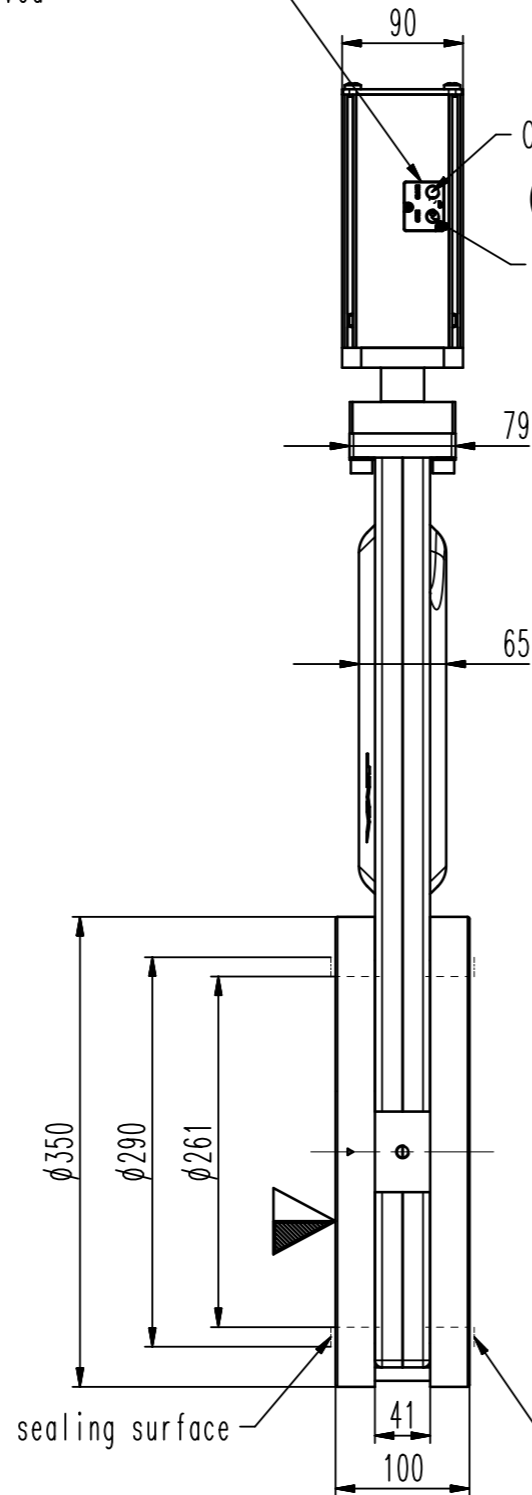


2xM5 (10-32 UNF suitable) in air cylinder
if adapter plate is removed



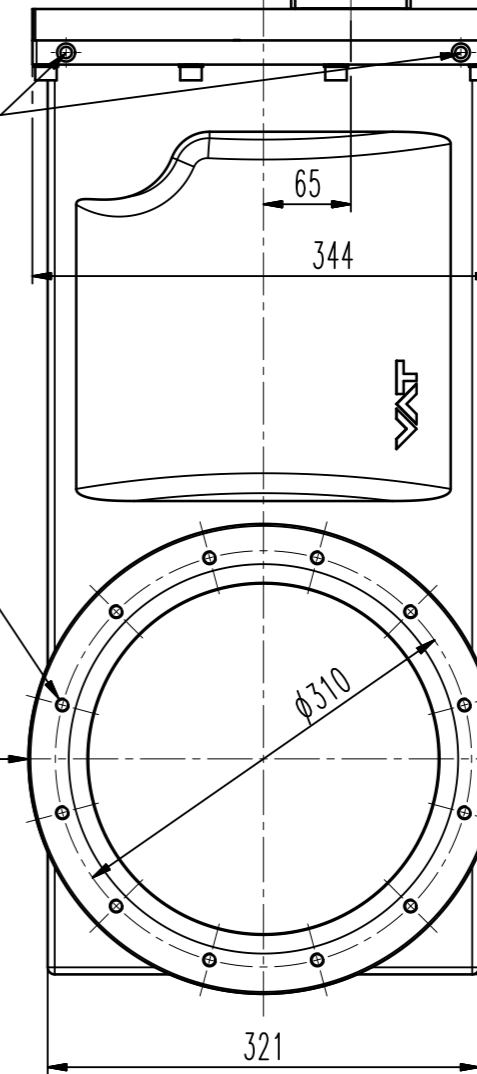
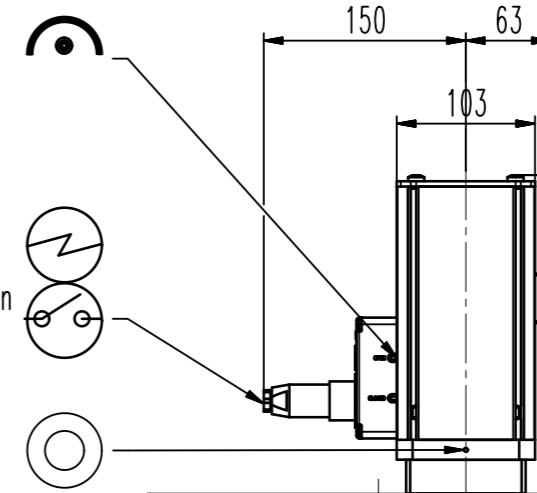
CLOSED
OPEN

1/8" ISO/NPT, 5-7 bar 7 pin

Lifting eye bolt M10 (2x)
DIN 580:2003

12x M10, 15 deep

M10 - 10 deep (5x)
Lifting point suitable for
eye bolt DIN 580:2003



- ▼ Seat side
- ⊙ Comp. air connection
- ⊕ Electrical connection
- ⊖ Leak detection port
- ⊙ Mech. pos. indication
- ⊙ Position indicator
- ⊙ Required for dismantling
- ⊙ Emergency actuation
- ⊙ For attachment
- ⊙ Bake-out area
- ⊙ Differential pumping port

HV gate valve



VAT Vakuumventile AG

CH-9469 Haag, Switzerland
Tel ++41 81 7716161 Fax ++41 81 7714830

Rev.-Date: 01.03.21

Visa: WAR

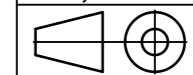
Series

111

Ordering No.

11148-PE24-0001

Projection E



DN

250

Flange

ISO-F

Dimensional
Drawing

1078195

Rev.

A