



VAT Vakuumventile AG
CH-9469 Haag, Schweiz

Product data sheet

HV gate valve, Series 111, DN none
Ordering No. 11150-JE44

Description

| | |
|-------------|--|
| Flange | JIS 320 |
| Actuator | pneumatic, double acting – with solenoid valve – with position indicator |
| Feedthrough | Bellows |

Technical data

| | | |
|---|--|--|
| Leak rate | – Valve body – Valve seat | $< 1 \cdot 10^{-9}$ mbar ls ⁻¹ $< 1 \cdot 10^{-9}$ mbar ls ⁻¹ |
| Pressure range | | $1 \cdot 10^{-8}$ mbar to 1.2 bar (abs) |
| Differential pressure on the gate | | ≤ 1.2 bar |
| Differential pressure at opening | | ≤ 30 mbar |
| Conductance (molecular flow) | | 29 130 ls ⁻¹ |
| Cycles until first service | | 200 000 (unheated and under clean conditions) |
| Temperature | – Valve Body – Actuator – Solenoid valve – Position indicator | ≤ 150 °C (bake-out max. 24h) ≤ 120 °C ≤ 50 °C ≤ 80 °C |
| (Maximum values: depending on operating conditions and sealing materials) | | |
| Heating and cooling rate | | 50 °C h ⁻¹ |
| Material (main components) | – Valve Body – Mechanism – Bellows – Bushing | AISI 304 (1.4301) AISI 316L (1.4404), AISI 304 (1.4301) AISI 316L (1.4404, 1.4435) Hydrocarbonate |
| Seal | – Bonnet – Gate – Actuator | FKM (Viton®) FKM (Viton®), O-ring FKM (Viton®), NBR |
| Mounting position | | any |
| Volume of pneumatic actuator | | 0.48 l / 0.0167 ft ³ |
| Compressed air min. – max. overpressure | | 5 – 7 bar / 73 – 102 psi |
| Compressed air connection | | G $\frac{1}{8}$ " (½" NPT for USA) |
| Actuation time | – closing – opening | 5 s 5 s |
| Weight | | 91 kg / 201 lbs |
| Behavior in case of compressed air pressure drop | – Valve closed – Valve open | valve remains closed undefined |
| Behavior in case of power failure | – Valve closed – Valve open | valve remains closed valve closes |

| | | |
|-------------------|--------------------------|------------------|
| Created by: SCHMC | Release date: 23.02.2021 | 1/2 |
| Modified by: | Release date: | 1077559EA |



VAT Vakuumventile AG
CH-9469 Haag, Schweiz

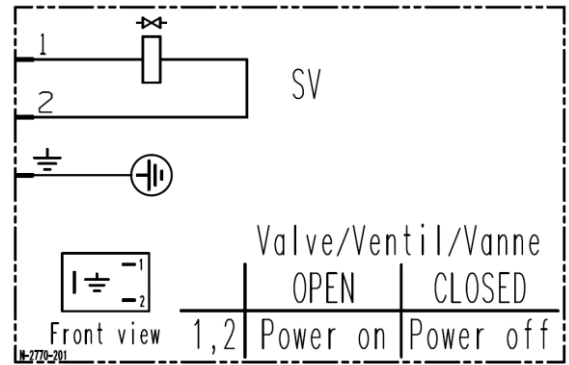
Product data sheet

HV gate valve, Series 111, DN none
Ordering No. 11150-JE44

Electrical connections

Solenoid valve

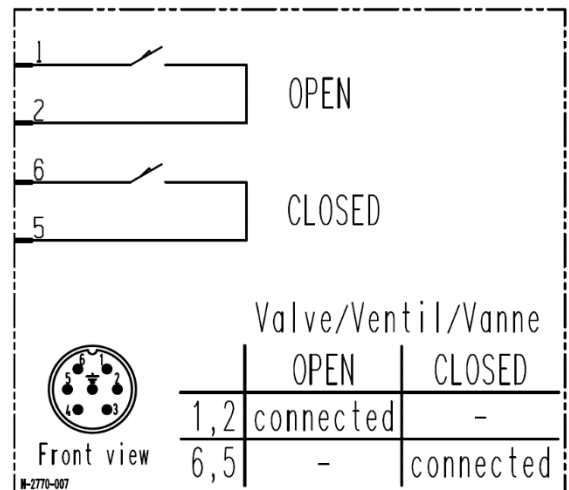
Type 4/2 way
Voltage Defined by order



Wiring diagram

Position indicator

Type Micro switch
Voltage ≤ 50 V AC / DC
Current max. ≤ 1.2 A



Wiring diagram