



VAT Vakuumventile AG
CH-9469 Haag, Schweiz

Product data sheet

HV gate valve, Series 111, DN none
Ordering No. 11150-PE44

Description

Flange	ISO-F 320
Actuator	pneumatic, double acting – with solenoid valve – with position indicator
Feedthrough	Bellows

Technical data

Leak rate	– Valve body – Valve seat	$< 1 \cdot 10^{-9}$ mbar ls ⁻¹ $< 1 \cdot 10^{-9}$ mbar ls ⁻¹
Pressure range		$1 \cdot 10^{-8}$ mbar to 1.2 bar (abs)
Differential pressure on the gate		≤ 1.2 bar
Differential pressure at opening		≤ 30 mbar
Conductance (molecular flow)		29 130 ls ⁻¹
Cycles until first service		200 000 (unheated and under clean conditions)
Temperature (Maximum values: depending on operating conditions and sealing materials)	– Valve Body – Actuator – Solenoid valve – Position indicator	≤ 150 °C (bake-out max. 24h) ≤ 120 °C ≤ 50 °C ≤ 80 °C
Heating and cooling rate		50 °C h ⁻¹
Material (main components)	– Valve Body – Mechanism – Bellows – Bushing	AISI 304 (1.4301) AISI 316L (1.4404), AISI 304 (1.4301) AISI 316L (1.4404, 1.4435) Hydrocarbonate
Seal	– Bonnet – Gate – Actuator	FKM (Viton®) FKM (Viton®), O-ring FKM (Viton®), NBR
Mounting position		any
Volume of pneumatic actuator		0.48 l / 0.0167 ft ³
Compressed air min. – max. overpressure		5 – 7 bar / 73 – 102 psi
Compressed air connection		G $\frac{1}{8}$ " (½" NPT for USA)
Actuation time	– closing – opening	5 s 5 s
Weight		91 kg / 201 lbs
Behavior in case of compressed air pressure drop	– Valve closed – Valve open	valve remains closed undefined
Behavior in case of power failure	– Valve closed – Valve open	valve remains closed valve closes

Created by: SCHMC	Release date: 11.10.2019	1/2
Modified by:	Release date:	979516EA



VAT Vakuumventile AG
CH-9469 Haag, Schweiz

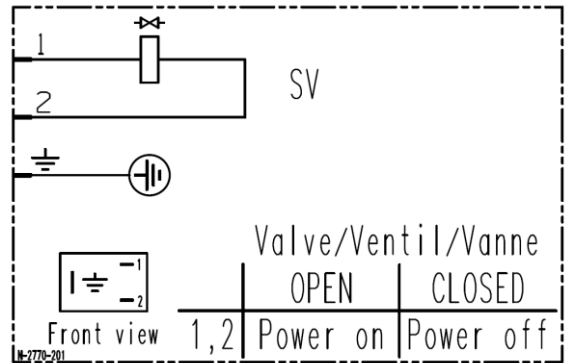
Product data sheet

HV gate valve, Series 111, DN none
Ordering No. 11150-PE44

Electrical connections

Solenoid valve

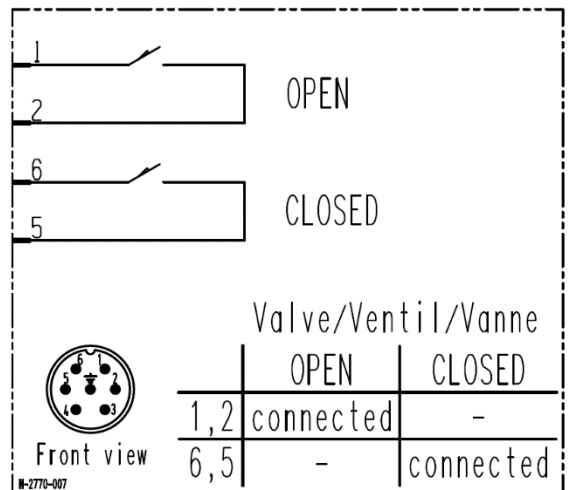
Type 4/2 way
Voltage Defined by order



Wiring diagram

Position indicator

Type Micro switch
Voltage ≤ 50 V AC / DC
Current max. ≤ 1.2 A



Wiring diagram

Created by: SCHMC	Release date: 11.10.2019	2/2
Modified by:	Release date:	979516EA