

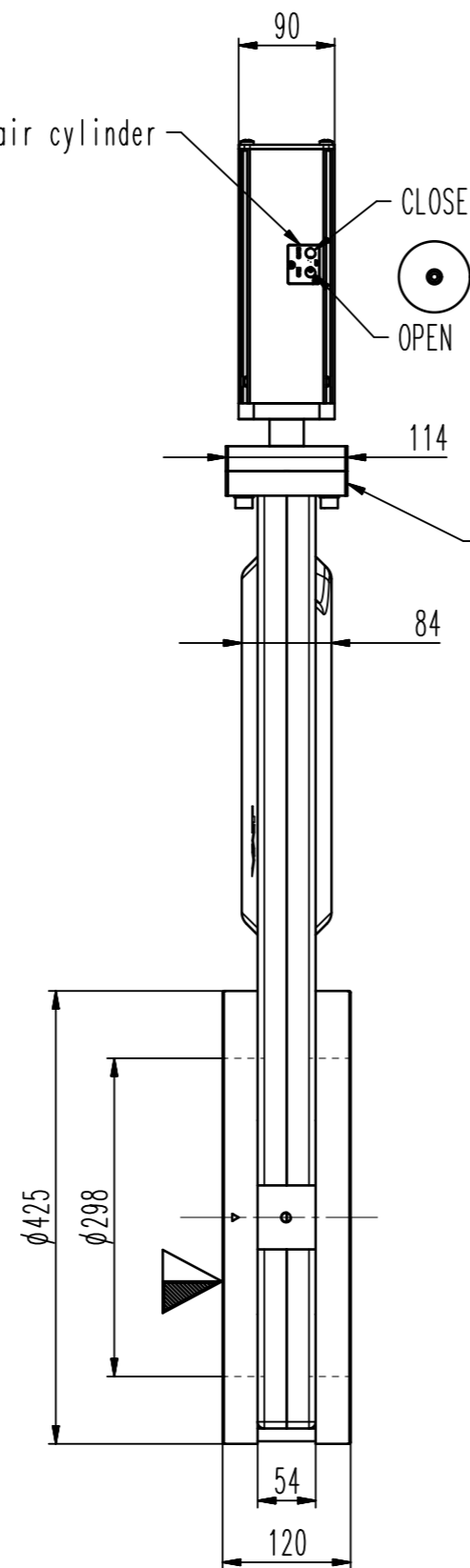
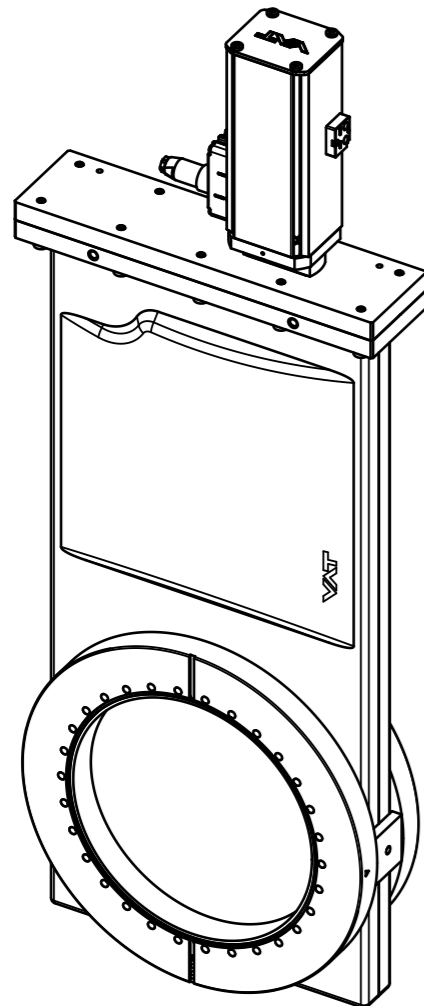
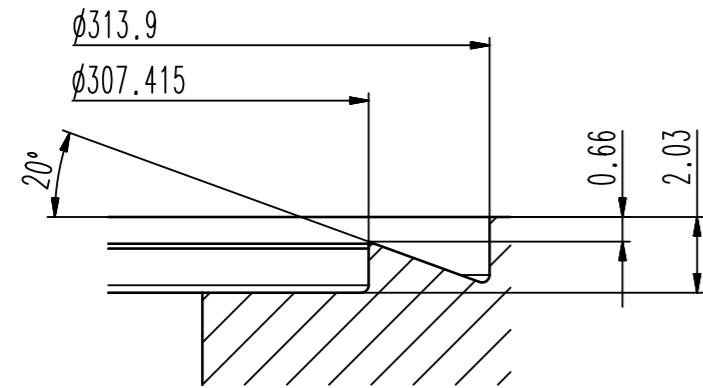
This drawing is the property of VAT.

Revision

Customer number

2xM5 (10-32 UNF suitable) in air cylinder if adapter plate is removed

A-A

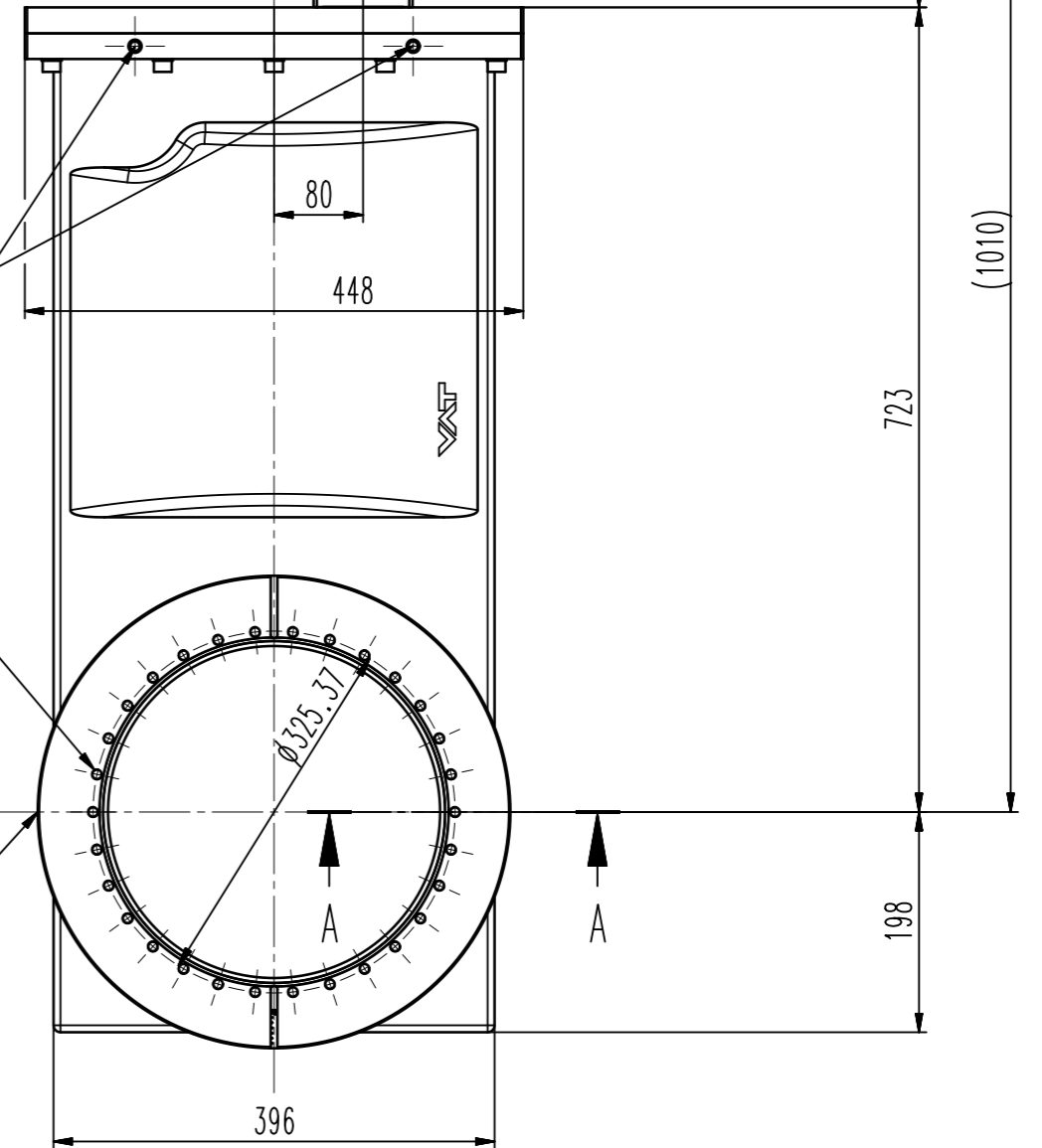
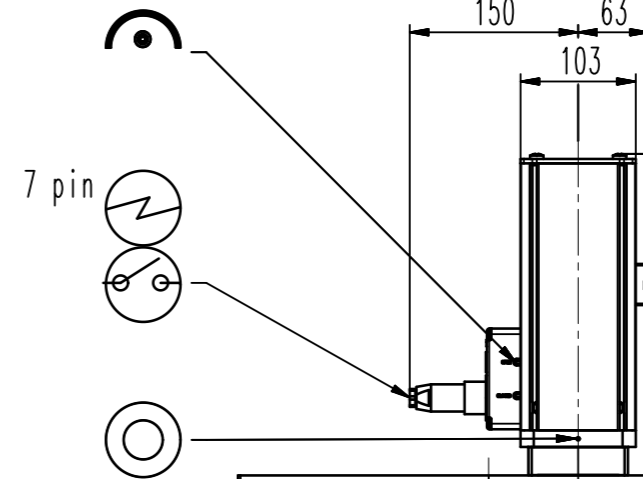


M10 - 10 deep (2x)  
 Lifting point suitable for  
 eye bolt DIN 580

Lifting eye bolt M10 (2x)  
 DIN 580

30x 3/8"-24UNF, 15 deep

M10 - 12 deep (3x)  
 Lifting point suitable for  
 eye bolt DIN 580



- Seat side
- Comp. air connection
- Electrical connection
- Leak detection port
- Mech. pos. indication
- Position indicator
- Required for dismantling
- Emergency actuation
- For attachment
- Bake-out area
- Differential pumping port

### HV gate valve

body flange "A"+"B" CF-F MDC 14" UNF



VAT Vakuumventile AG

CH-9469 Haag, Switzerland  
 Tel ++41 81 7716161 Fax ++41 81 7714830

Rev.-Date: 08.11.21

Visa: WEF

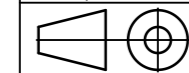
Series

111

Ordering No.

11150-UE24-ADF1

Projection E



DN

320

Flange

CF-F UNF

Dimensional  
Drawing

1133573

Rev.

A

VAT/DA