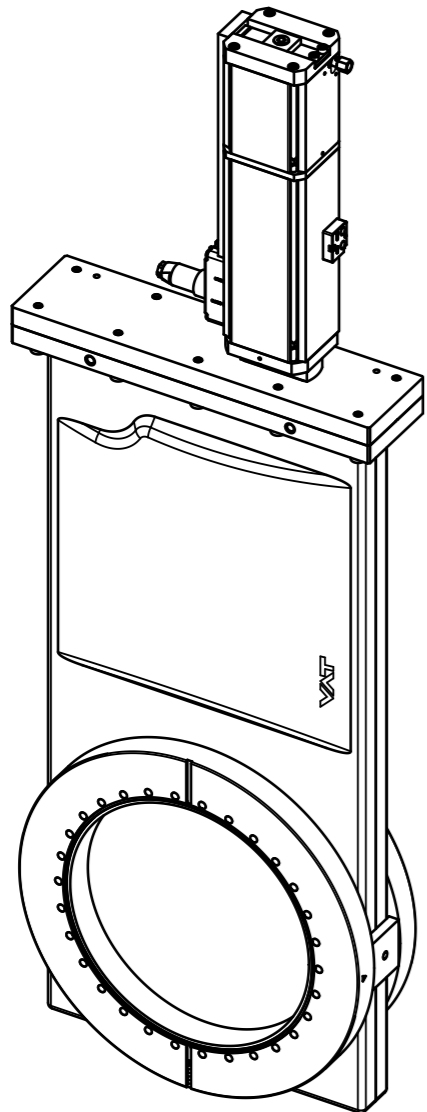
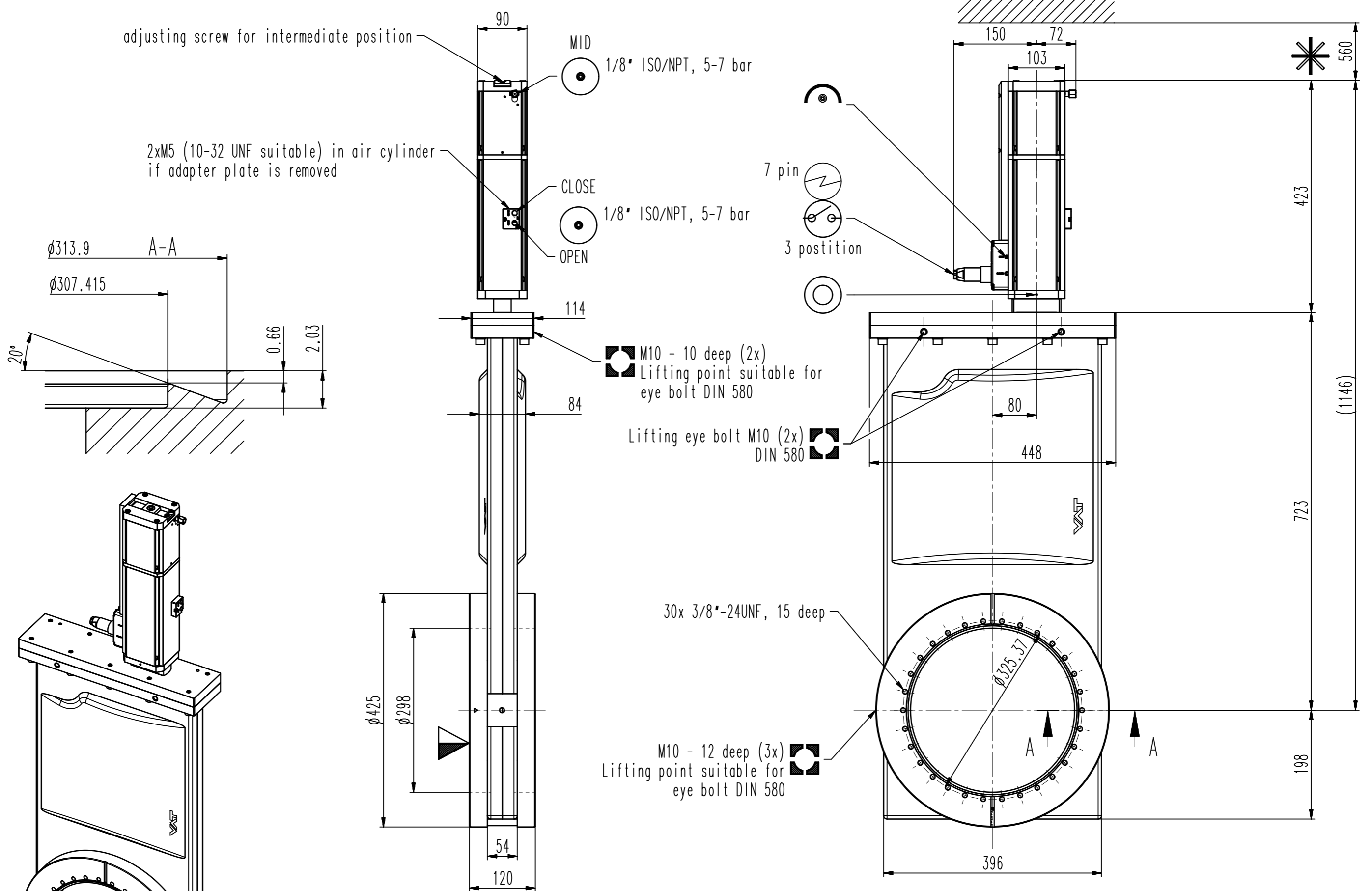


This drawing is the property of VAT.

Revision

Customer number



- ▼ Seat side
- ⊙ Comp. air connection
- ⊙ Electrical connection
- ⊙ Leak detection port
- ⊙ Mech. pos. indication
- ⊙ Position indicator
- ⊙ Required for dismantling
- ⊙ Emergency actuation
- ⊙ For attachment
- ⊙ Bake-out area
- ⊙ Differential pumping port

HV gate valve

body flange "A"+"B" CF-F MDC 14" UNF



VAT Vakuumventile AG

CH-9469 Haag, Switzerland
Tel ++41 81 7716161 Fax ++41 81 7714830

Rev.-Date: 08.11.21

Visa: WEF

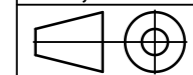
Series

111

Ordering No.

11150-UE28-ADF1

Projection E



DN

320

Flange

CF-F UNF

Dimensional Drawing

1133566

Rev.

A

VAT/MDA