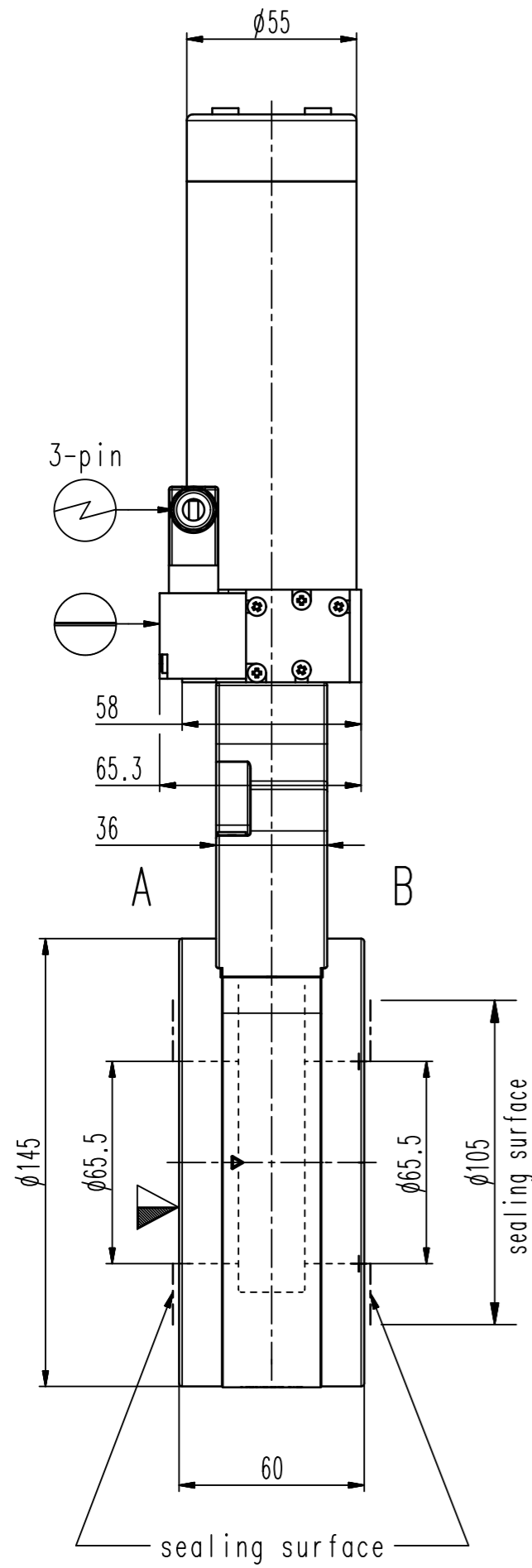


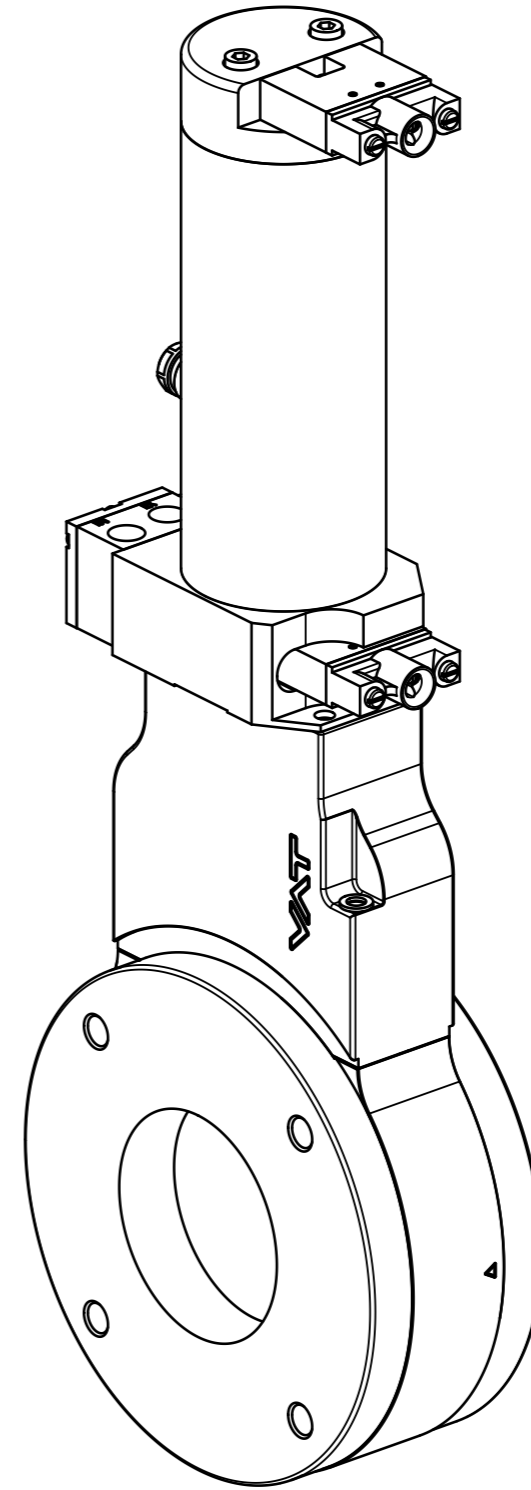
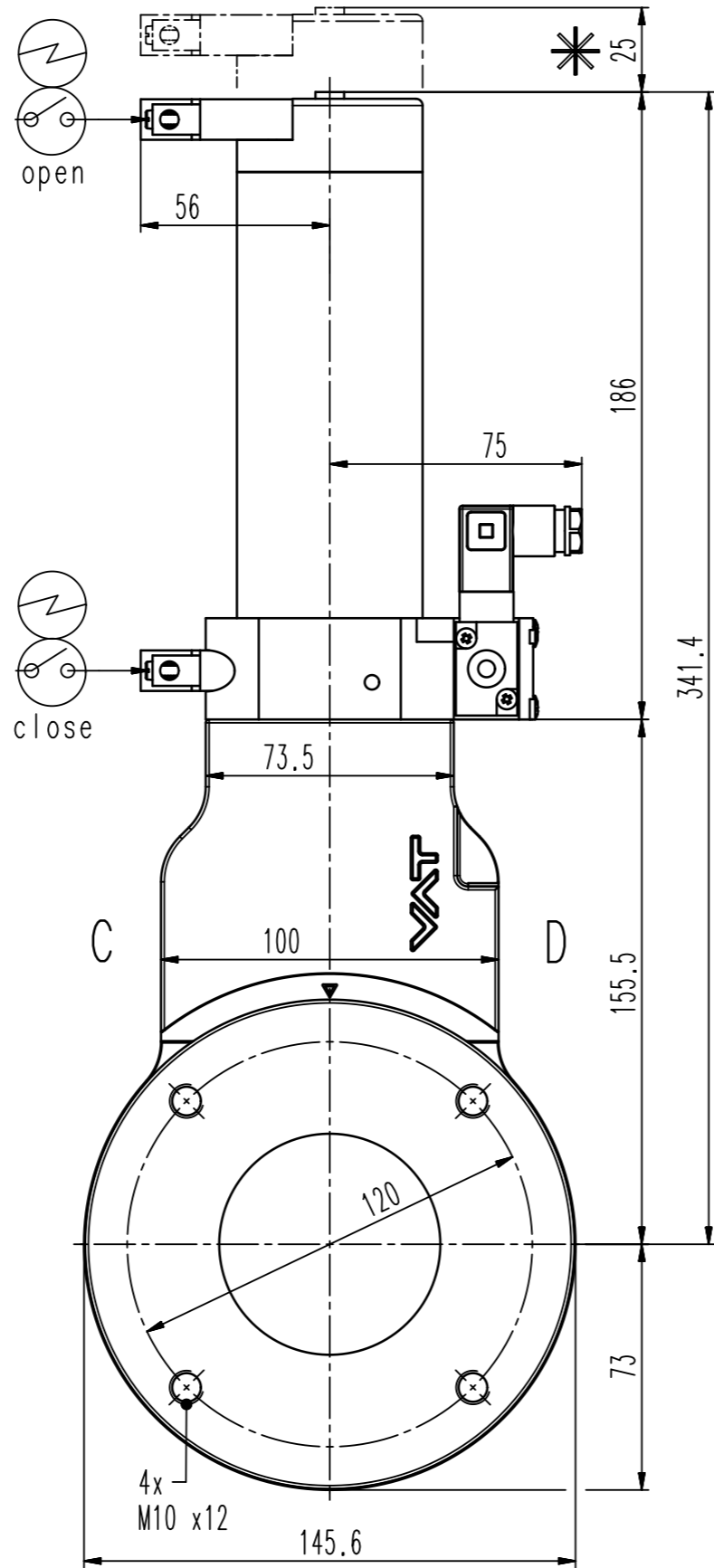
This drawing is the property of VAT.

Revision

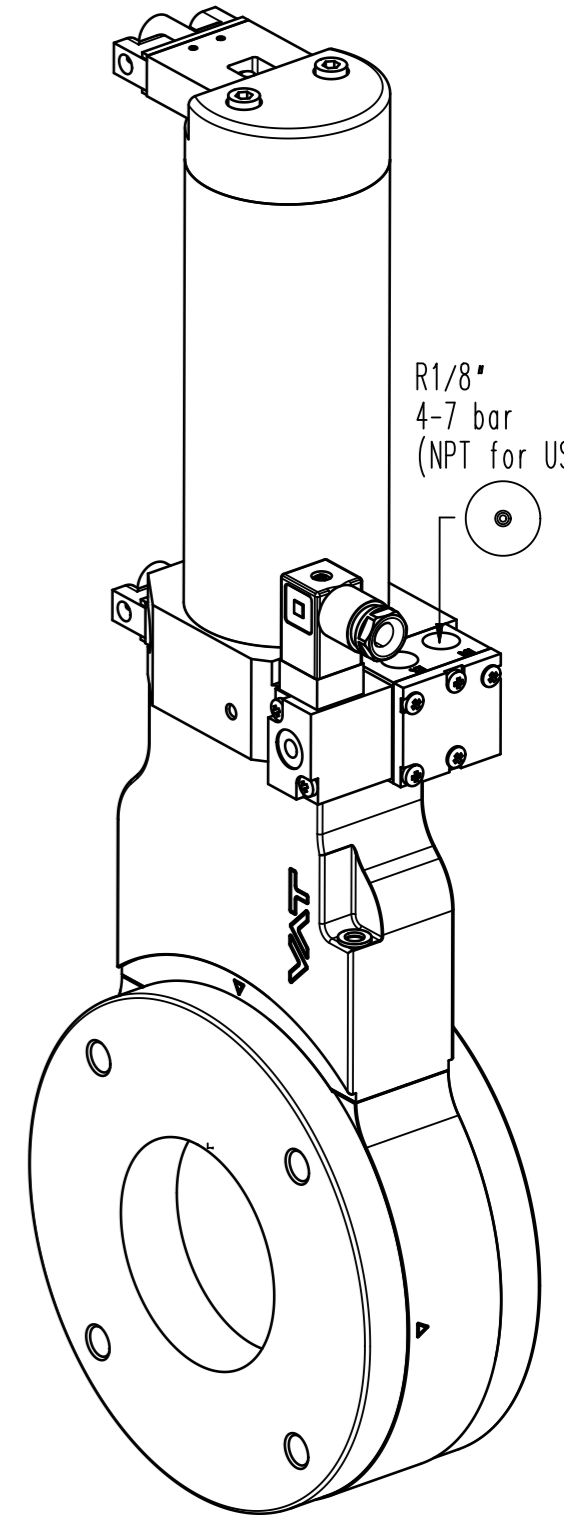
Customer number



D-side



B-side



A-(seat)side

R1/8"
4-7 bar
(NPT for USA)

- ▼ Seat side
- ⊕ Comp. air connection
- ⊕ Electrical connection
- ⊕ Leak detection port
- ⊕ Mech. pos. indication
- ⊕ Position indicator
- ⊕ Required for dismantling
- ⊕ Emergency actuation
- ⊕ For attachment
- ⊕ Bake-out area
- ⊕ Differential pumping port

Vacuum gate valve



VAT Vakuumventile AG

CH-9469 Haag, Switzerland
Tel ++41 81 7716161 Fax ++41 81 7714830

Rev.-Date: 10.08.05

Visa: HUC

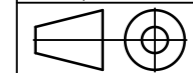
Series

121

Ordering No.

12136-JA44-0001

Projection E



DN

63

Flange

JIS

Dimensional Drawing

263703

Rev.

VAT/DA