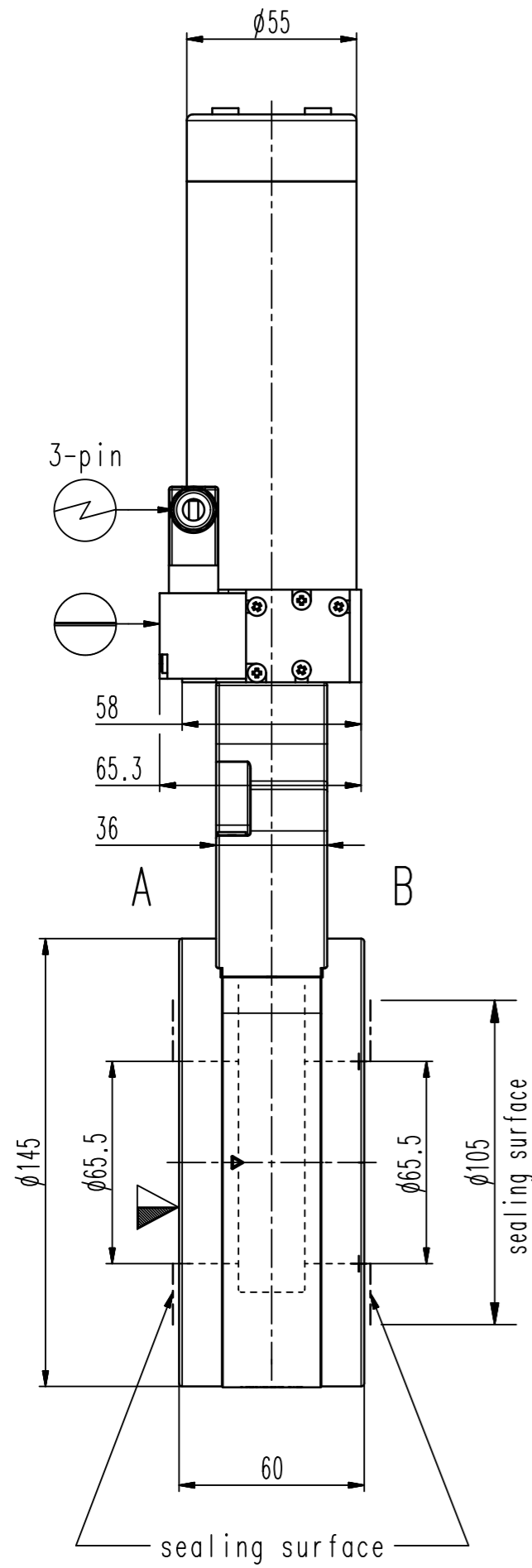


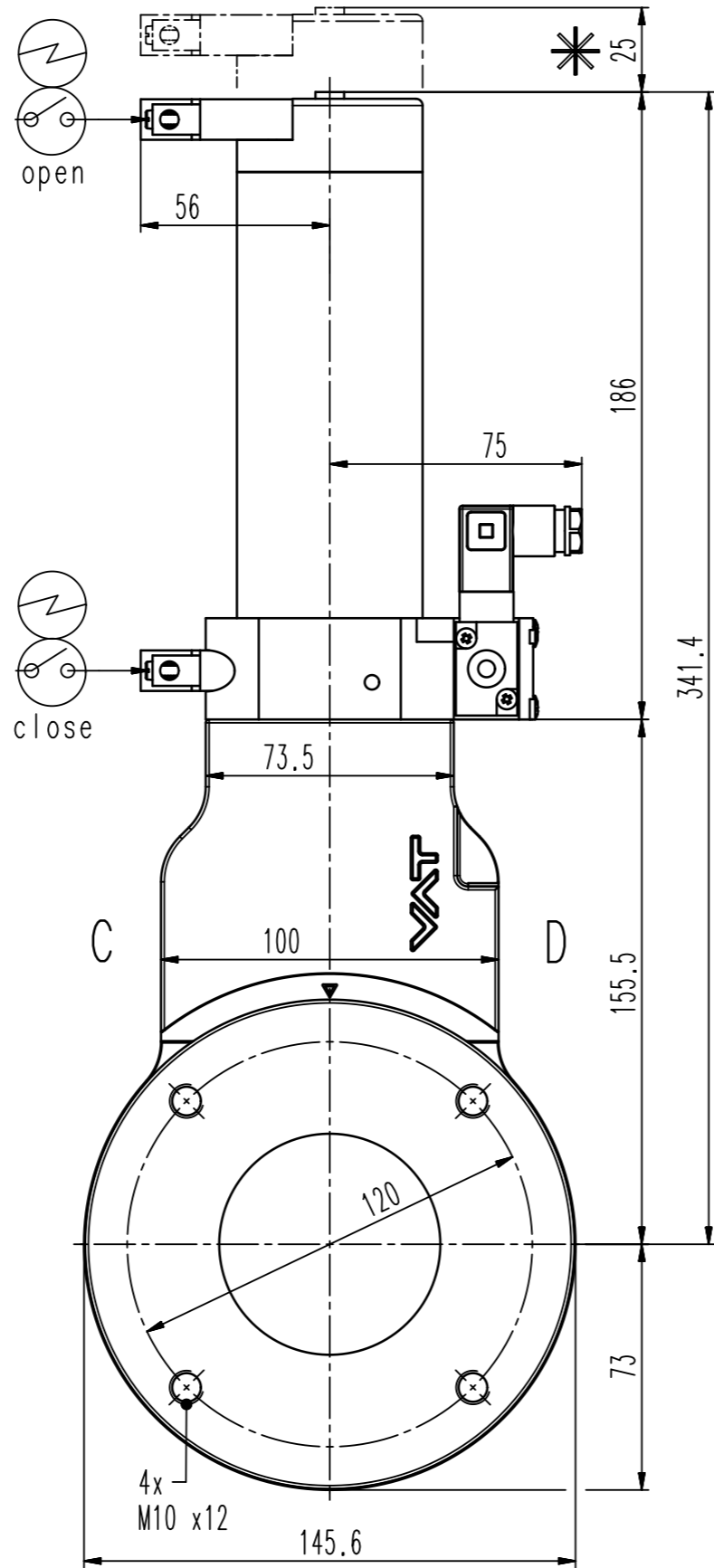
This drawing is the property of VAT.

Revision

Customer number



D-side



- ▼ Seat side
- ⊕ Comp. air connection
- ⊖ Electrical connection
- ⊙ Leak detection port
- ⊚ Mech. pos. indication
- ⊛ Position indicator
- ⊜ Required for dismantling
- ⊝ Emergency actuation
- ⊞ For attachment
- ⊟ Bake-out area
- ⊠ Differential pumping port

Vacuum gate valve



VAT Vakuumentile AG

CH-9469 Haag, Switzerland  
Tel ++41 81 7716161 Fax ++41 81 7714830

Rev.-Date: 10.08.05

Visa: HUC

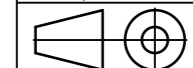
Series

121

Ordering No.

12136-JA44-0001

Projection E



DN

63

Flange

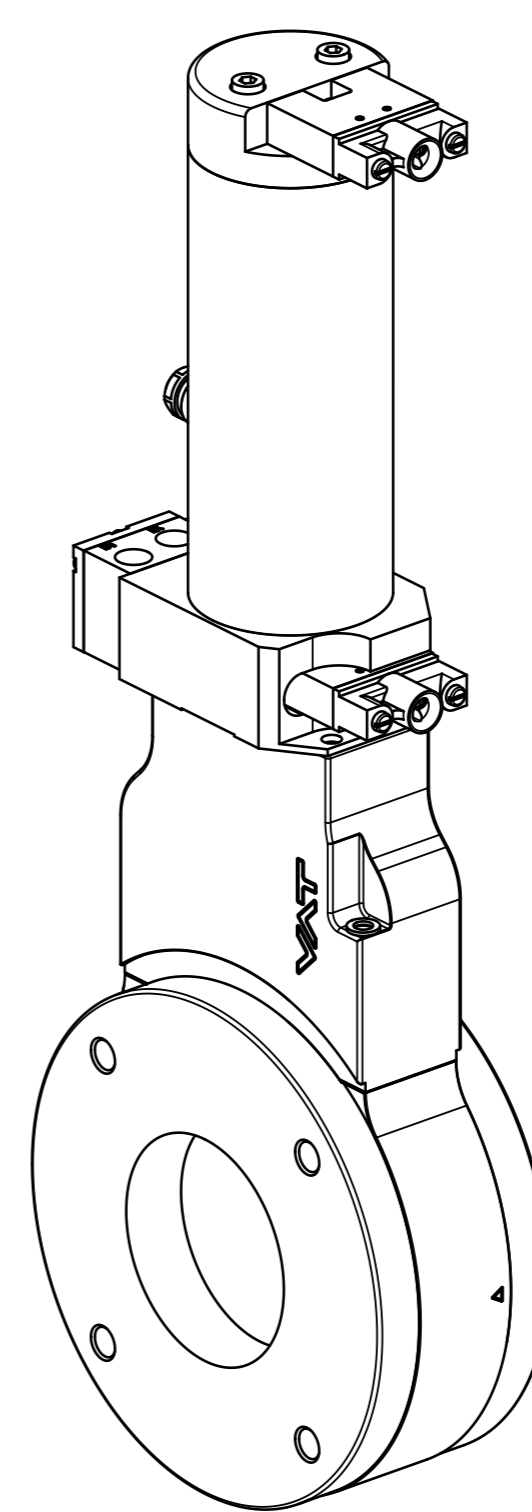
JIS

Dimensional Drawing

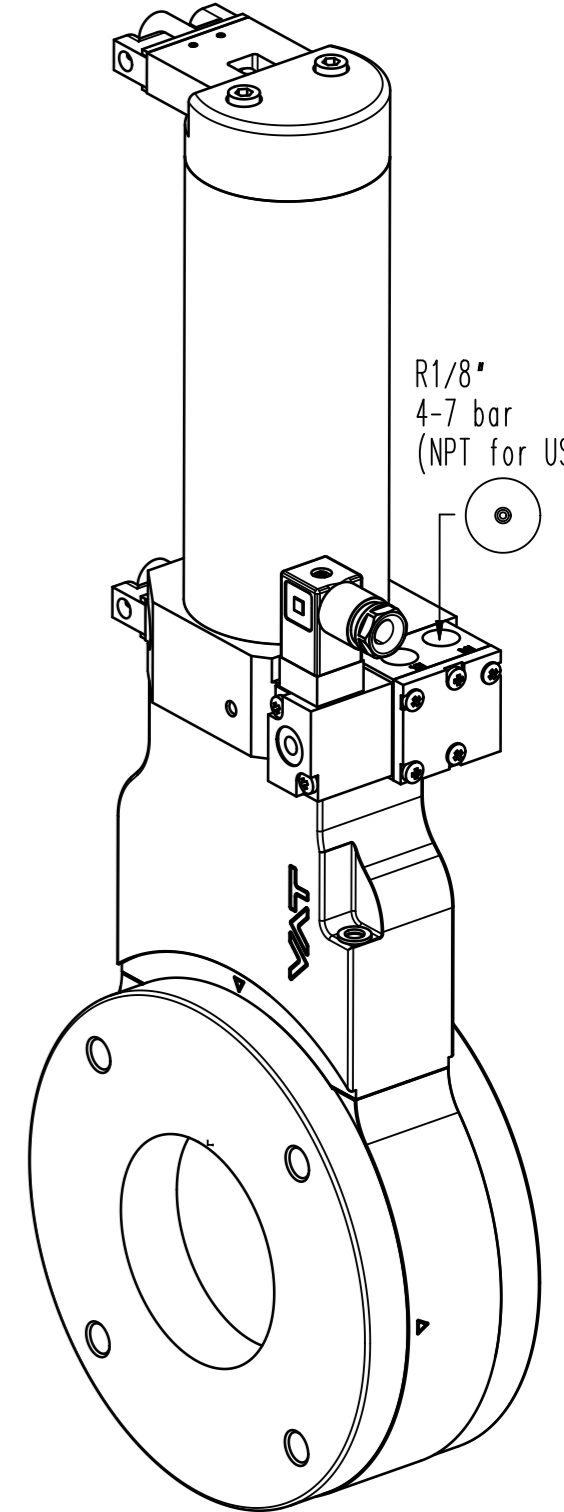
263703

Rev.

VAT/DA



B-side



A-(seat)side

R1/8"  
4-7 bar  
(NPT for USA)

