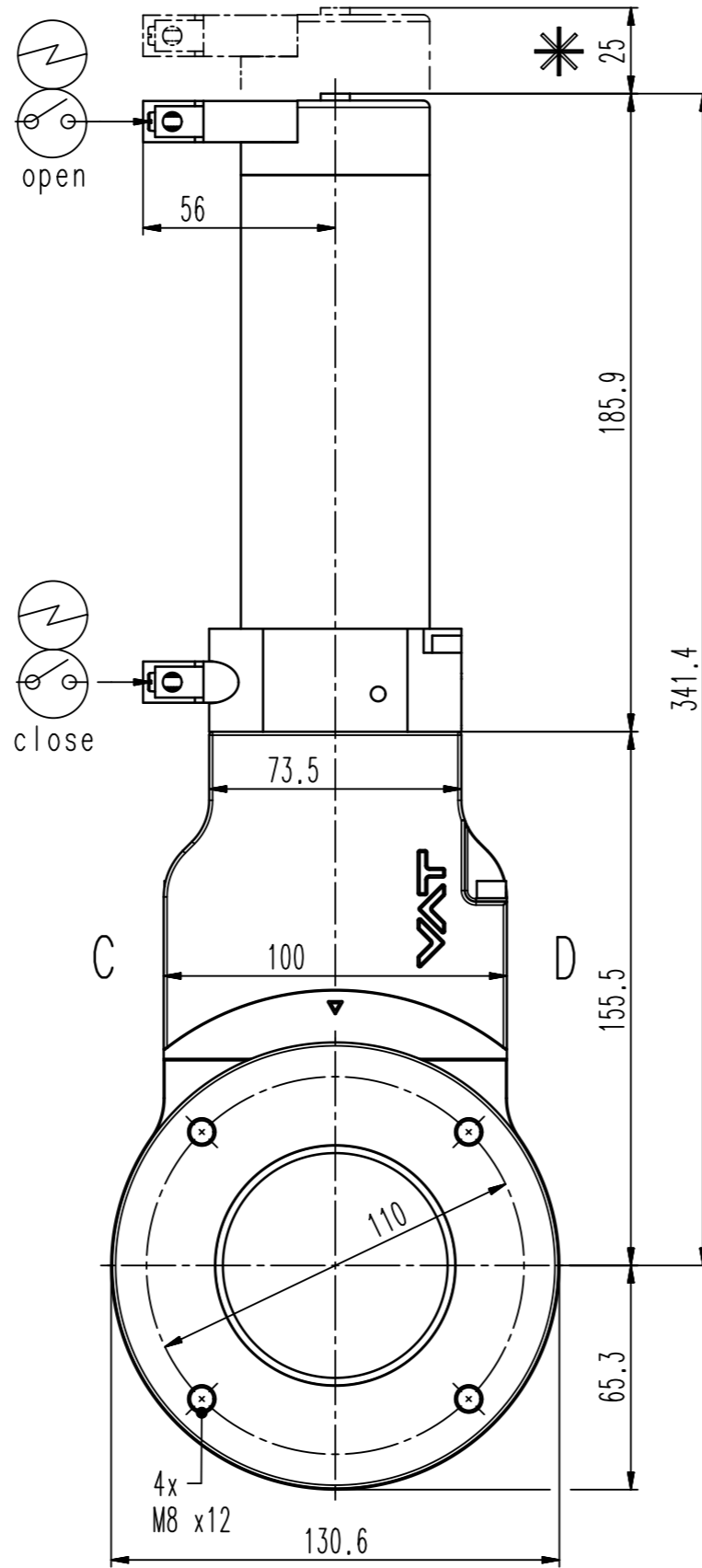
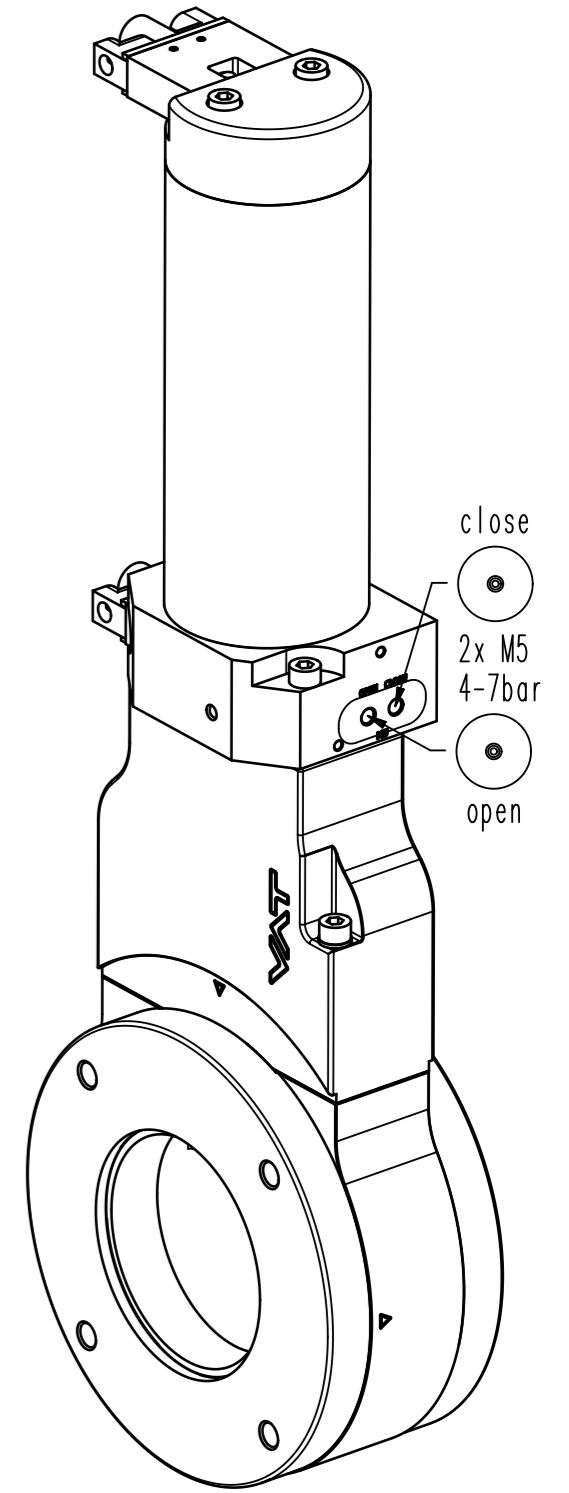


D-side



B-side



A-(seat)side

- ▼ Seat side
- ⊙ Comp. air connection
- ⊕ Electrical connection
- ⊖ Leak detection port
- ⊙ Mech. pos. indication
- ⊙ Position indicator
- ⊙ Required for dismantling
- ⊙ Emergency actuation
- ⊙ For attachment
- ⊙ Bake-out area
- ⊙ Differential pumping port

Vacuum gate valve



VAT Vakuumentile AG

CH-9469 Haag, Switzerland
Tel ++41 81 7716161 Fax ++41 81 7714830

Rev.-Date: 30.08.12

Visa: HUC

Series	121	Ordering No.	12136-PA24-0001
Projection E	DN	Flange	
	63	ISO-F	
Dimensional Drawing	256858	Rev.	A