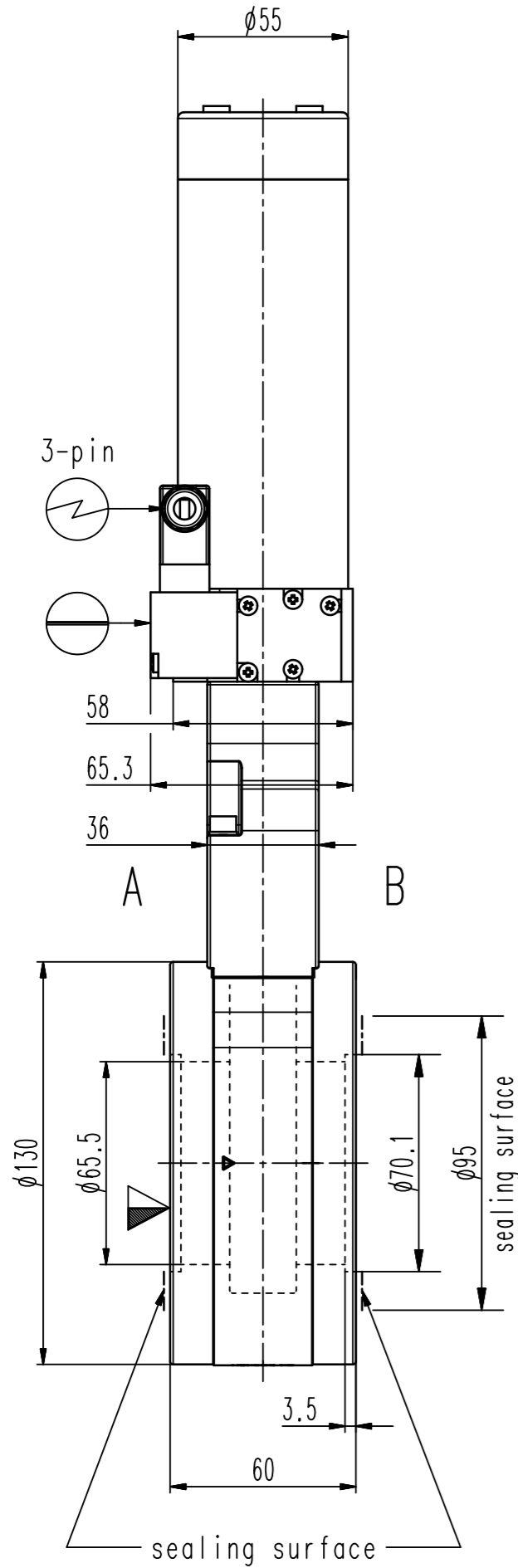


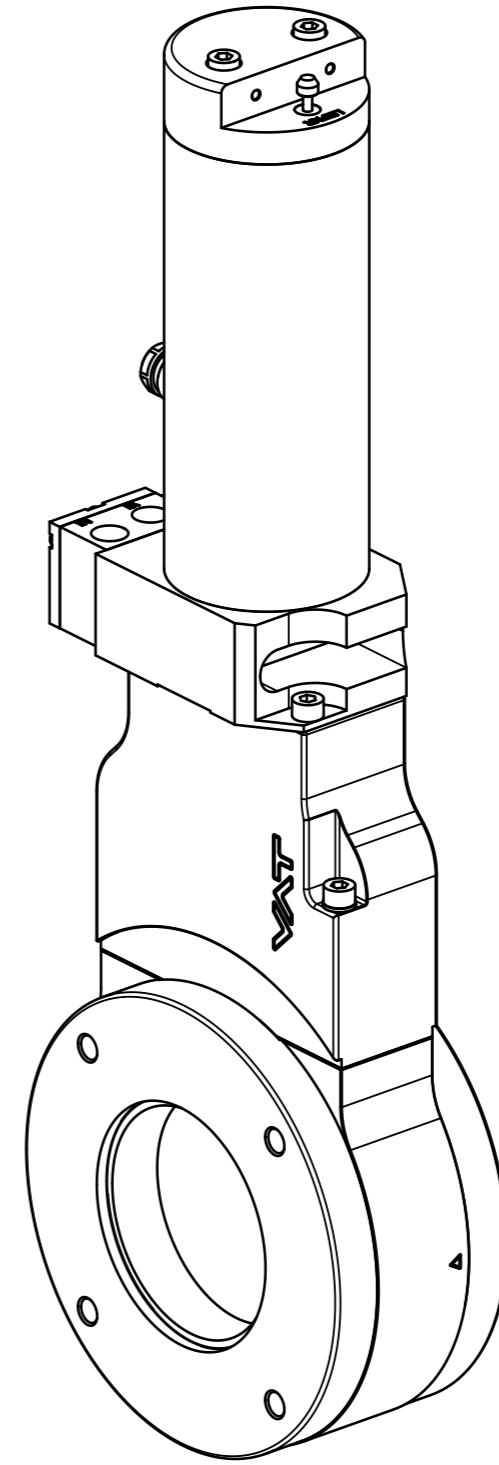
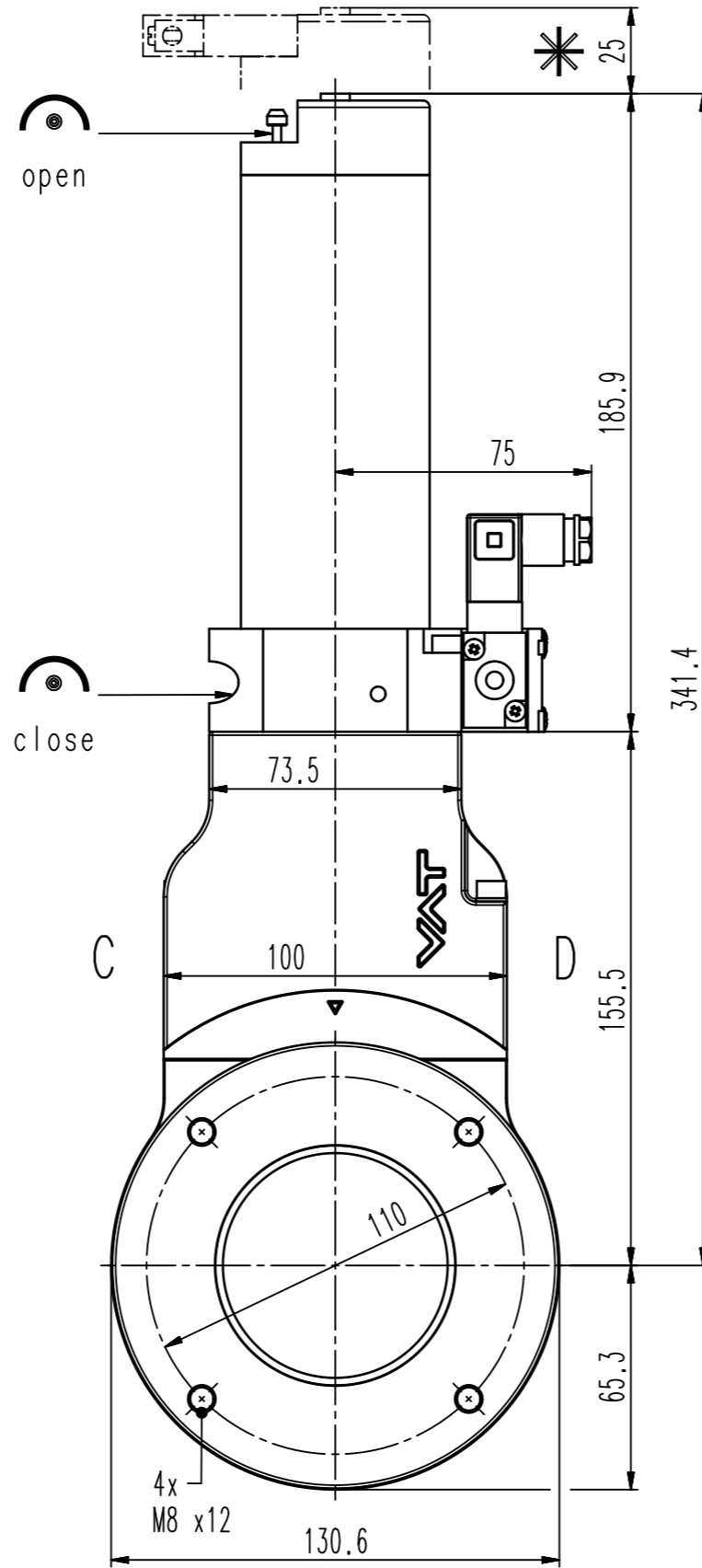
This drawing is the property of VAT.

Revision

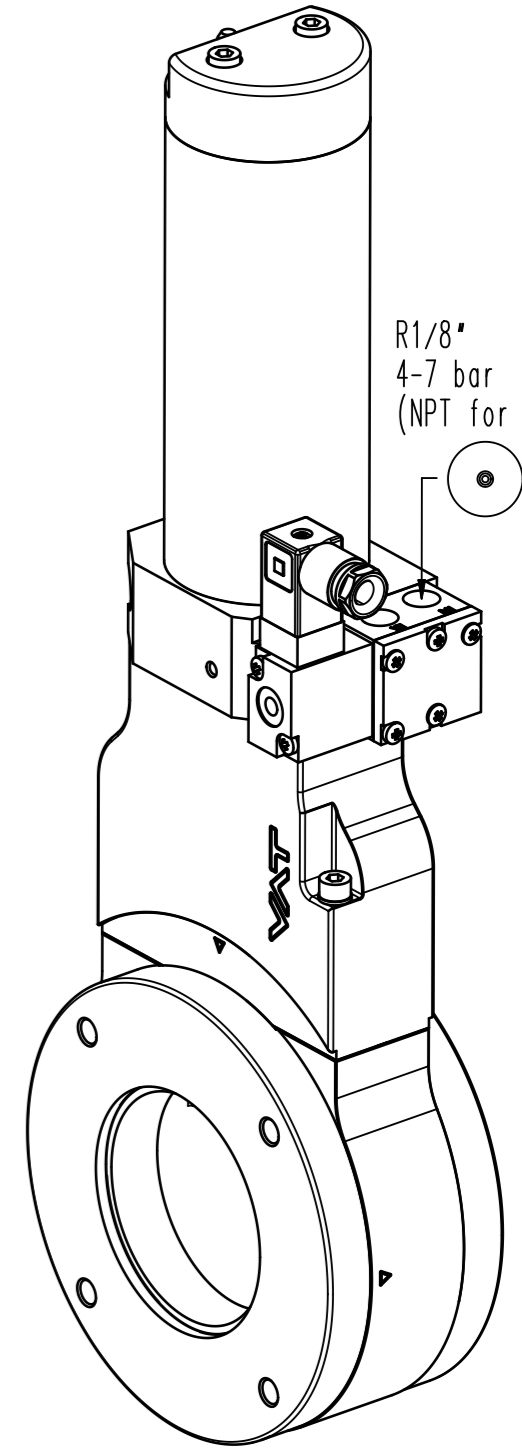
Customer number



D-side



B-side



A-(seat)side

- ▼ Seat side
- ⊕ Comp. air connection
- ⊖ Electrical connection
- ⊙ Leak detection port
- ⊚ Mech. pos. indication
- ⊛ Position indicator
- ⊜ Required for dismantling
- ⊝ Emergency actuation
- ⊞ For attachment
- ⊟ Bake-out area
- ⊠ Differential pumping port

Vacuum gate valve



VAT Vakuumventile AG

CH-9469 Haag, Switzerland
Tel ++41 81 7716161 Fax ++41 81 7714830

Rev.-Date: 06.06.05

Visa: HUC

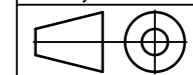
Series

121

Ordering No.

12136-PA34-0001

Projection E



DN

63

Flange

ISO-F

Dimensional Drawing

261970

Rev.

VAT/DA