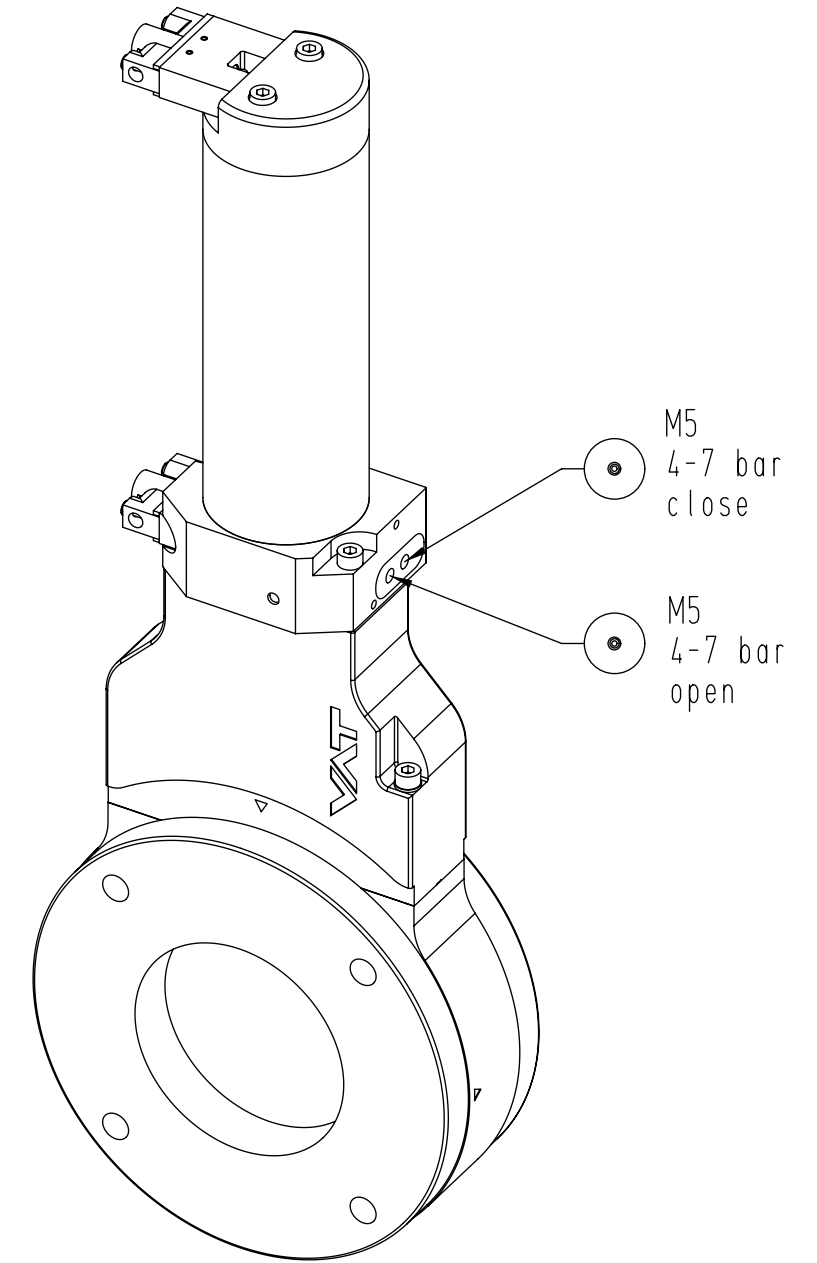
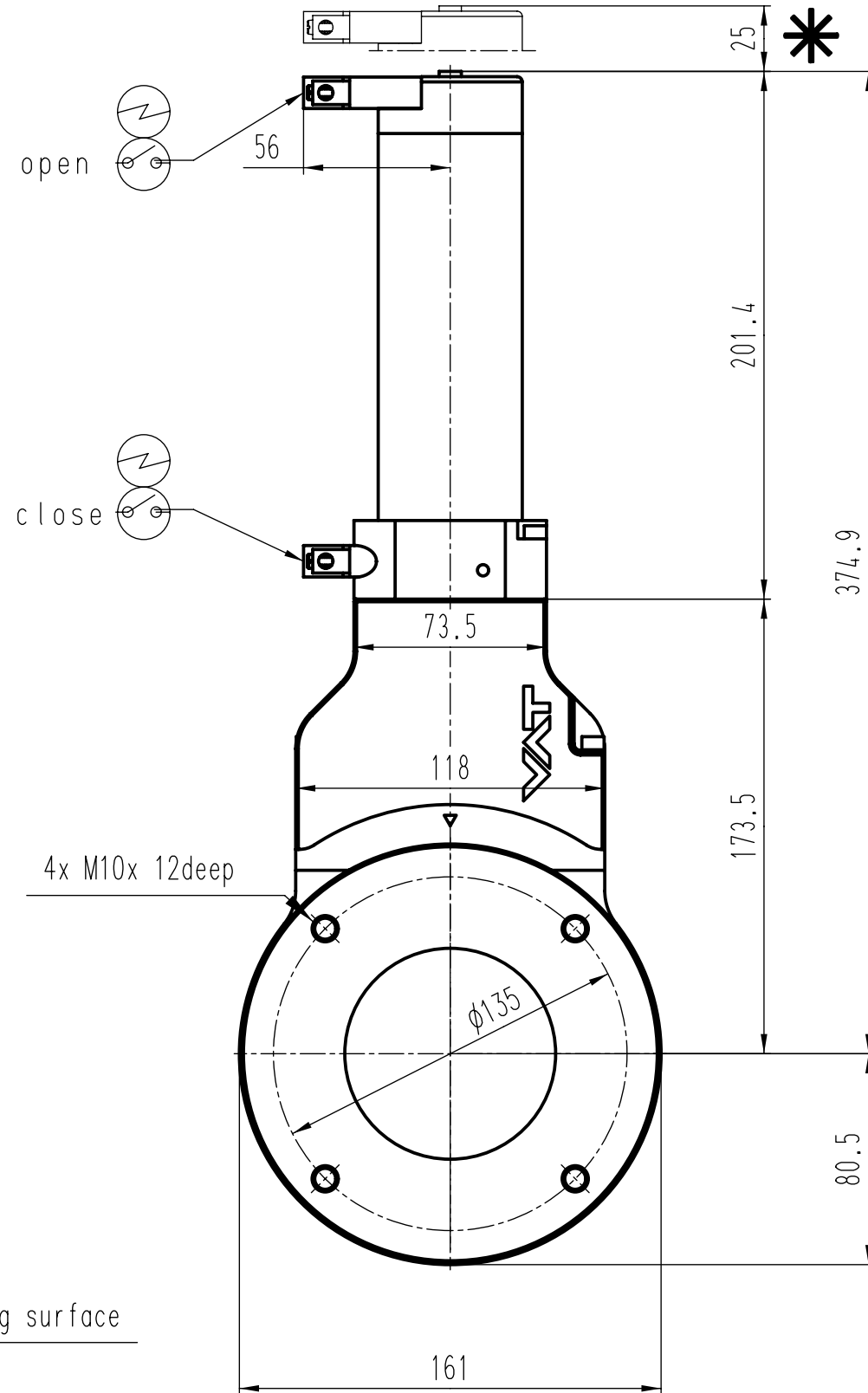
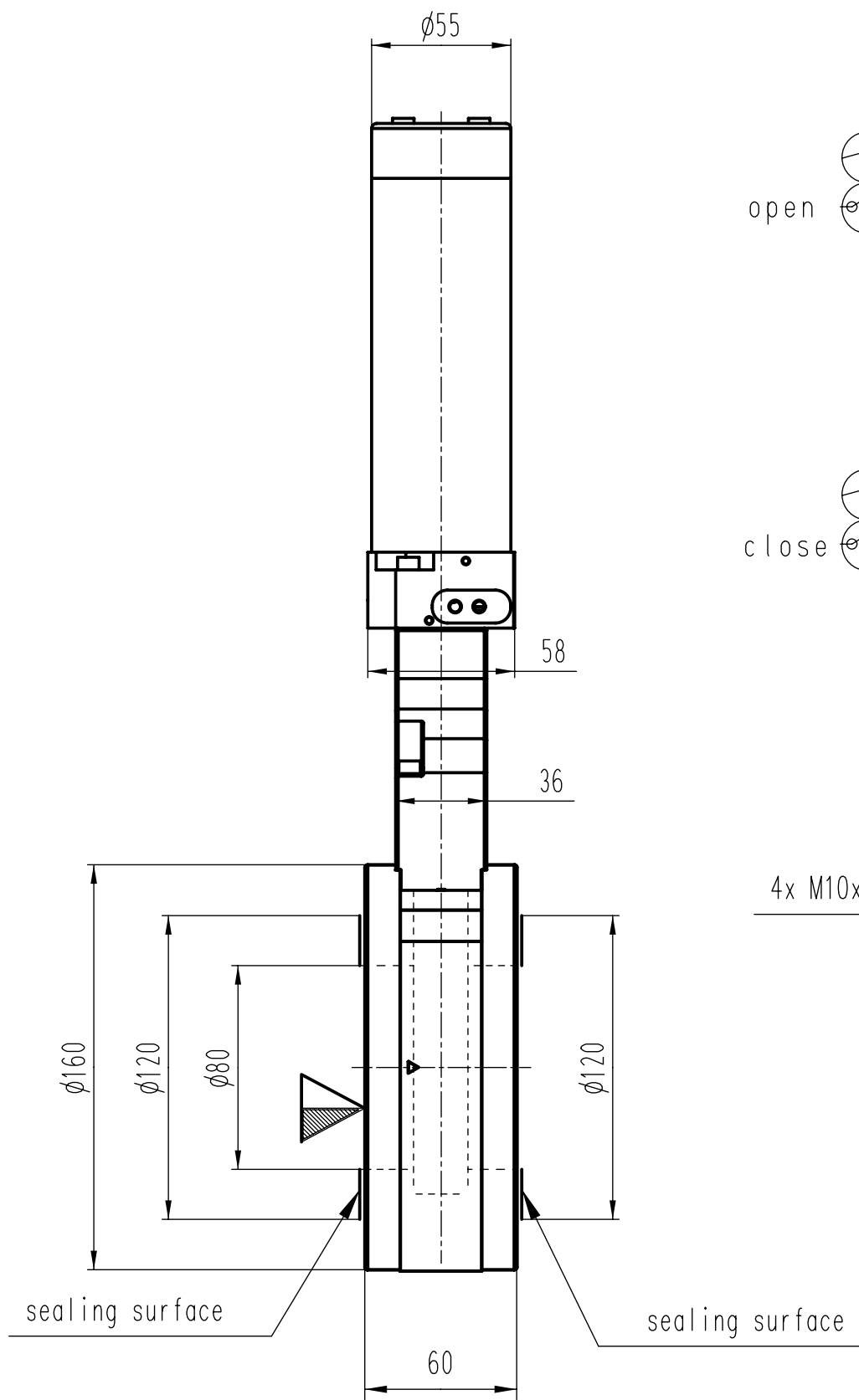


This drawing is the property of VAT.
Without the written consent of VAT, it must
not be copied or distributed to a third person



Revision	Code	Date	Name

- ▼ Seat side
- ⊙ Comp. air connection
- ⊕ Electrical connection
- ⊖ Leak detection port
- ⊙ Mech. pos. indication
- ⊙ Position indicator
- ⊙ Required for dismantling
- ⊙ Emergency actuation
- ⊙ For attachment
- ⊙ Bake-out area
- ⊙ Differential pumping port

Vacuum Gate Valve

Pneumatic actuator



VAT Vakuumventile AG
CH-9469 Haag, Switzerland
Tel ++41 81 7716161 Fax ++41 81 7714830

Date: 06.10.2005
Name: HEE

Series	121	Ordering No.	12138-JA24-0001
Projection E		DN	80
Flange			JIS
Dimensional Drawing	265134	Rev.	