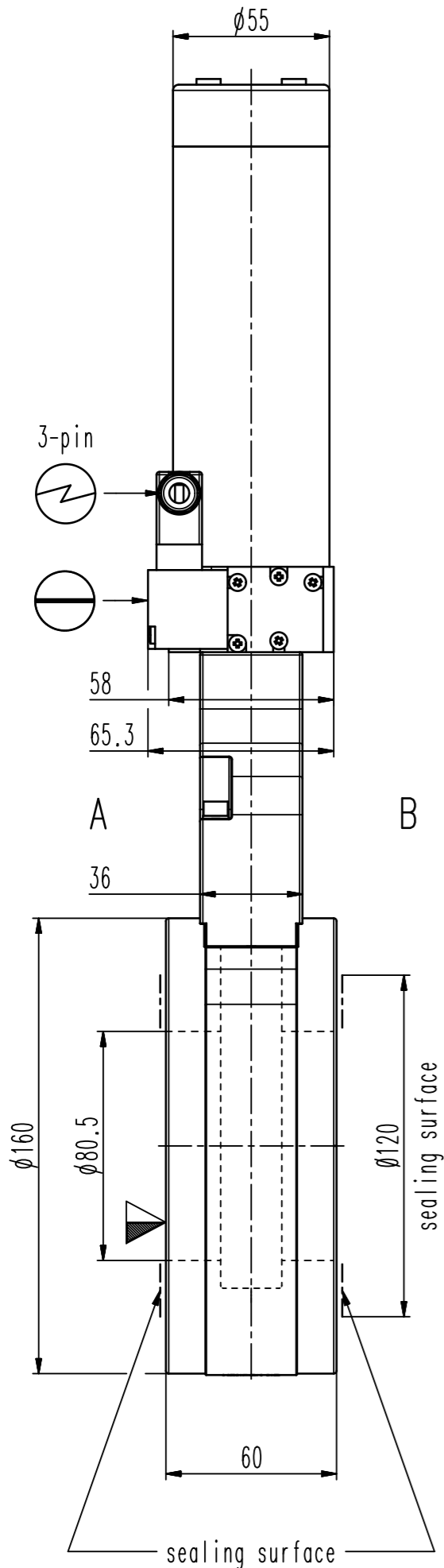


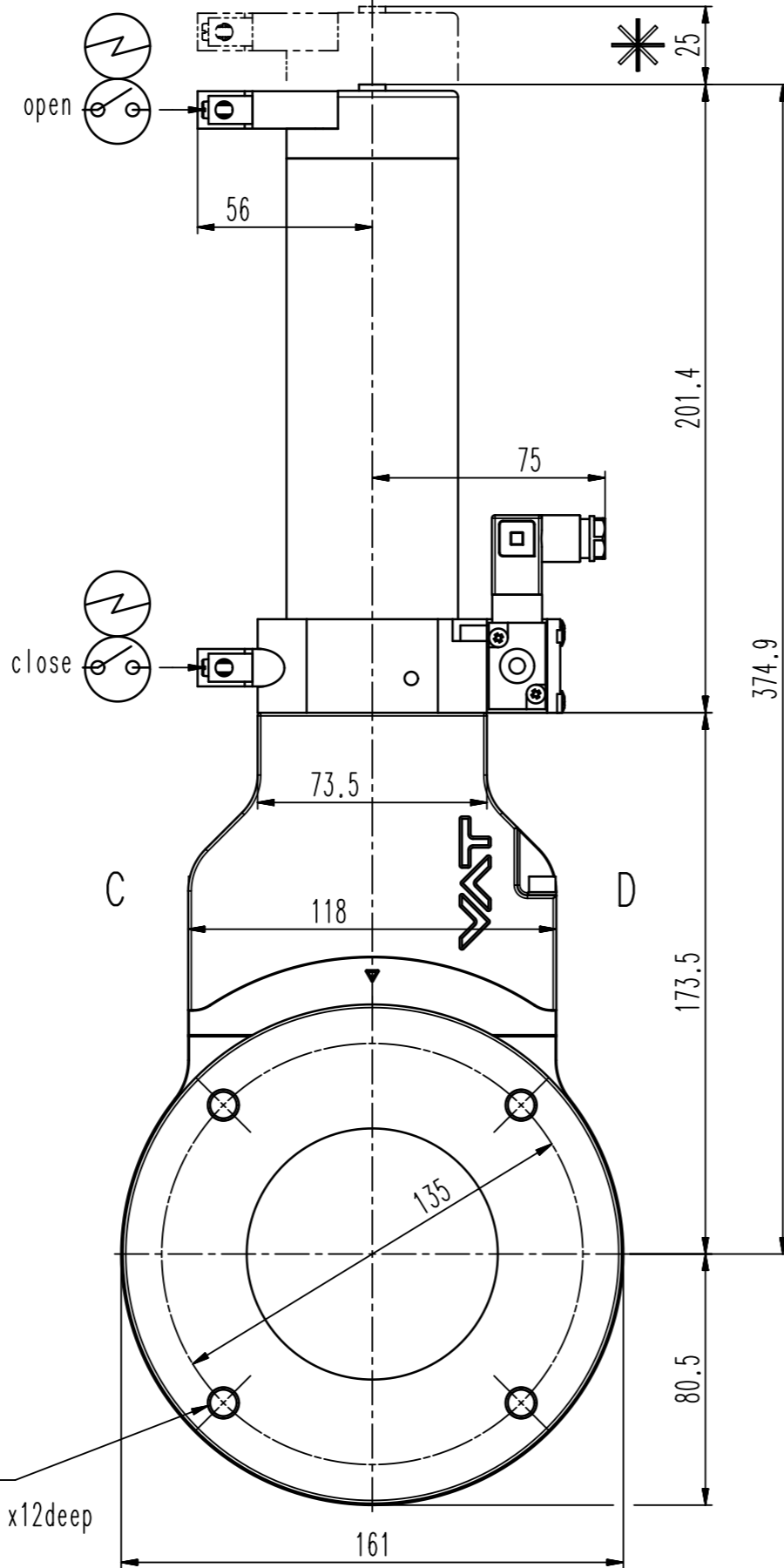
This drawing is the property of VAT.

Revision

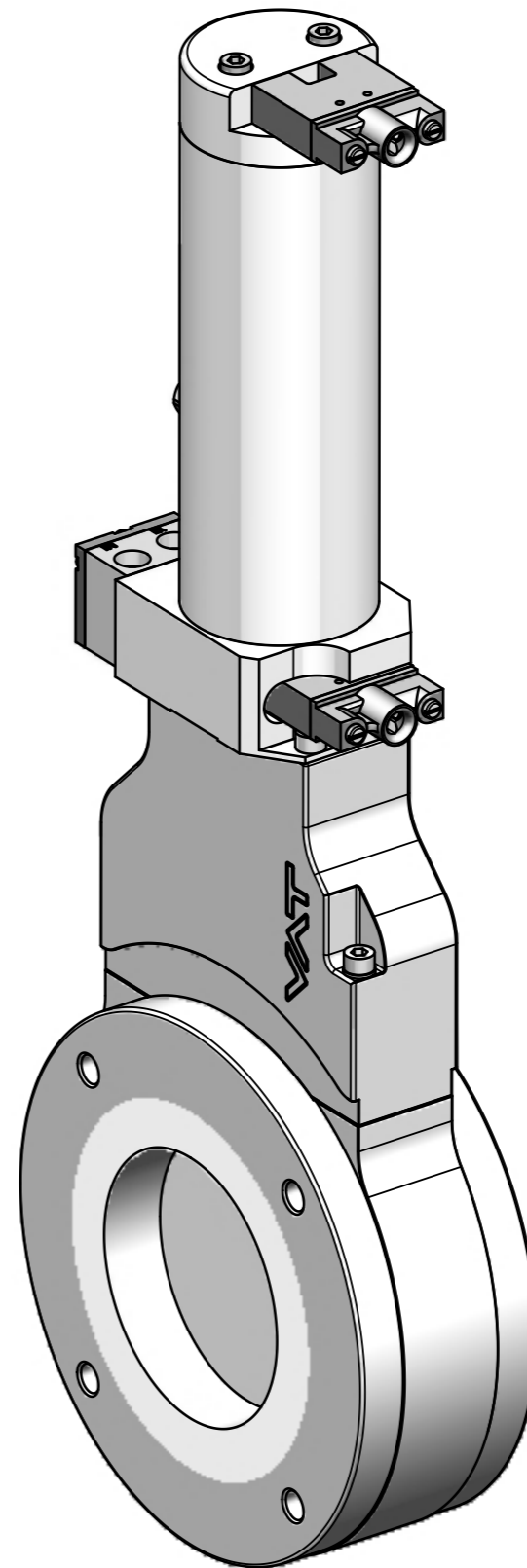
Customer number



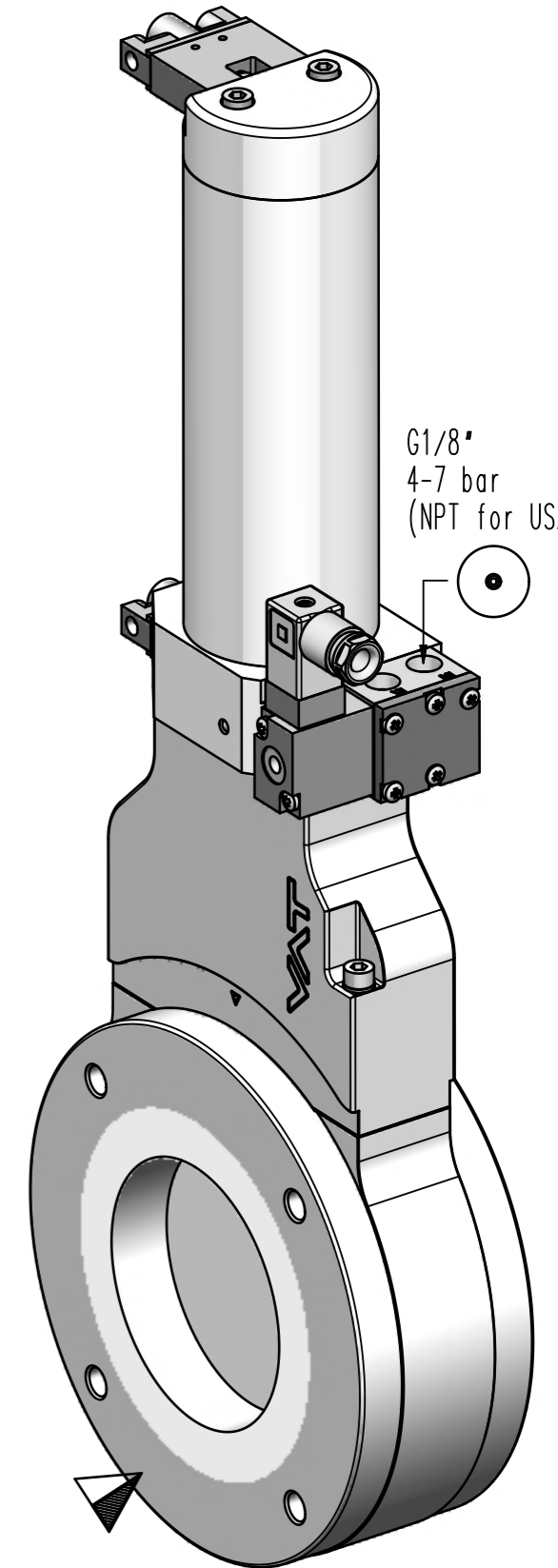
D-side



8x
M10 x12deep



B-side



A-(seat)side

- ▼ Seat side
- ⊕ Comp. air connection
- ⊖ Electrical connection
- ⊙ Leak detection port
- ⊚ Mech. pos. indication
- ⊛ Position indicator
- ⊜ Required for dismantling
- ⊝ Emergency actuation
- ⊞ For attachment
- ⊟ Bake-out area
- ⊠ Differential pumping port

Vacuum gate valve



VAT Vakuumventile AG
CH-9469 Haag, Switzerland
Tel ++41 81 7716161 Fax ++41 81 7714830

Rev.-Date: 11.06.07
Visa: HUC

| | | | |
|---------------------|--------|--------------|-----------------|
| Series | 121 | Ordering No. | 12138-JA44-0001 |
| Projection E | DN | Flange | JIS |
| | 80 | | |
| Dimensional Drawing | 264578 | Rev. | A |