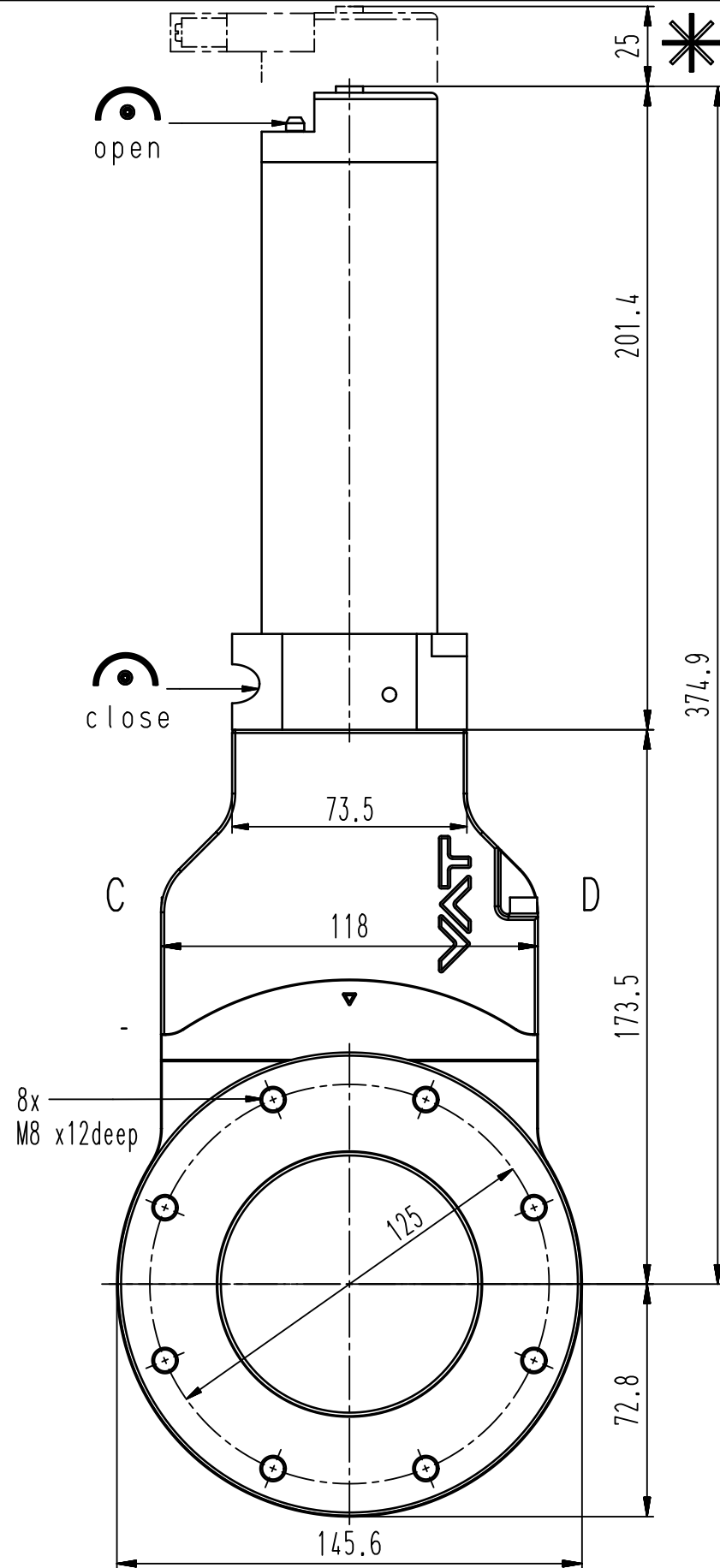


D-side



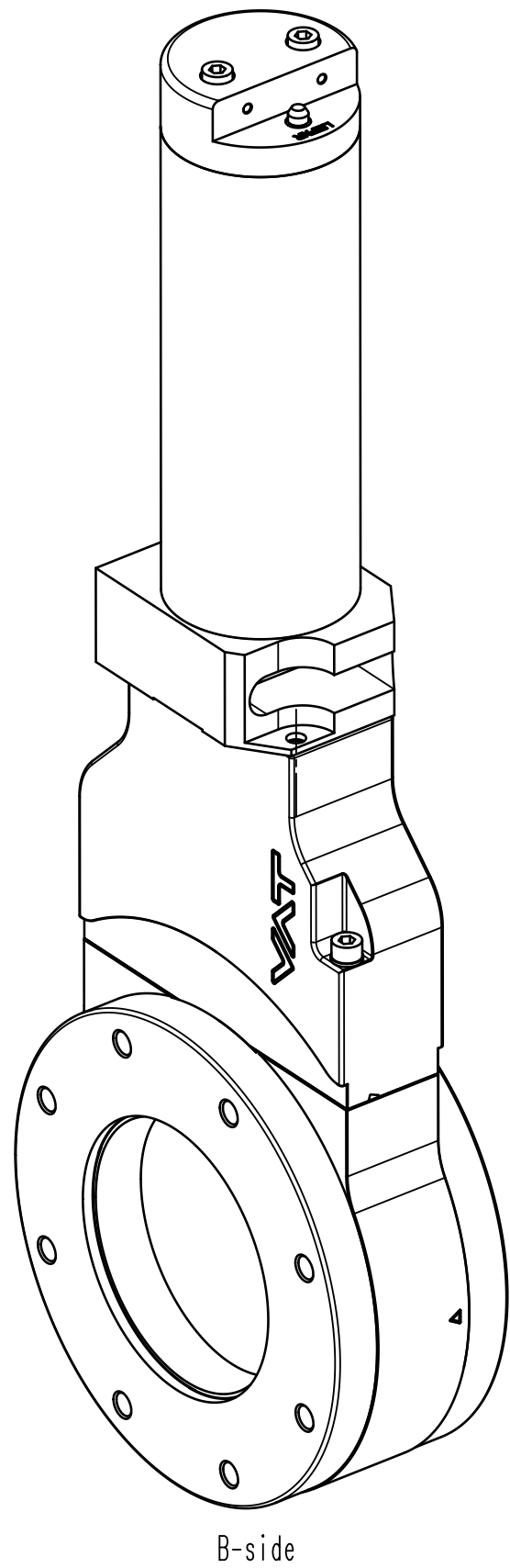
- ▲ Seat side
- ⊙ Comp. air connection
- ⊙ Electrical connection
- ⊙ Leak detection port
- ⊙ Mech. pos. indication
- ⊙ Position indicator
- ⊙ Required for dismantling
- ⊙ Emergency actuation
- ⊙ For attachment
- ⊙ Bake-out area
- ⊙ Differential pumping port

vacuum gate valve

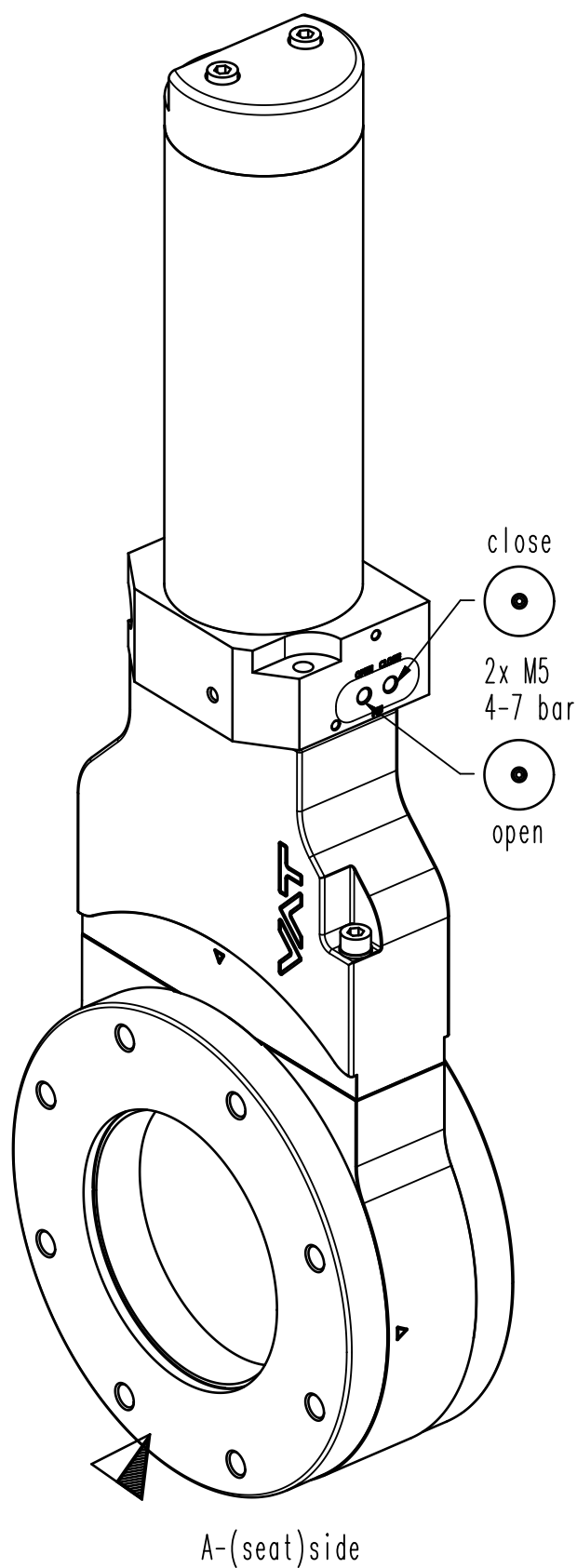


VAT Vakuumentile AG  
 CH-9469 Haag, Switzerland  
 Tel ++41 81 7716161 Fax ++41 81 7714830

Date: 29.08.05  
 Name: HUC



B-side



A-(seat)side

- close
- 2x M5 4-7 bar
- open

Series	121	Ordering No.	12138-PA14-0001
Projection E	DN	Flange	
	80	ISO-F	
Dimensional Drawing	264178	Rev.	