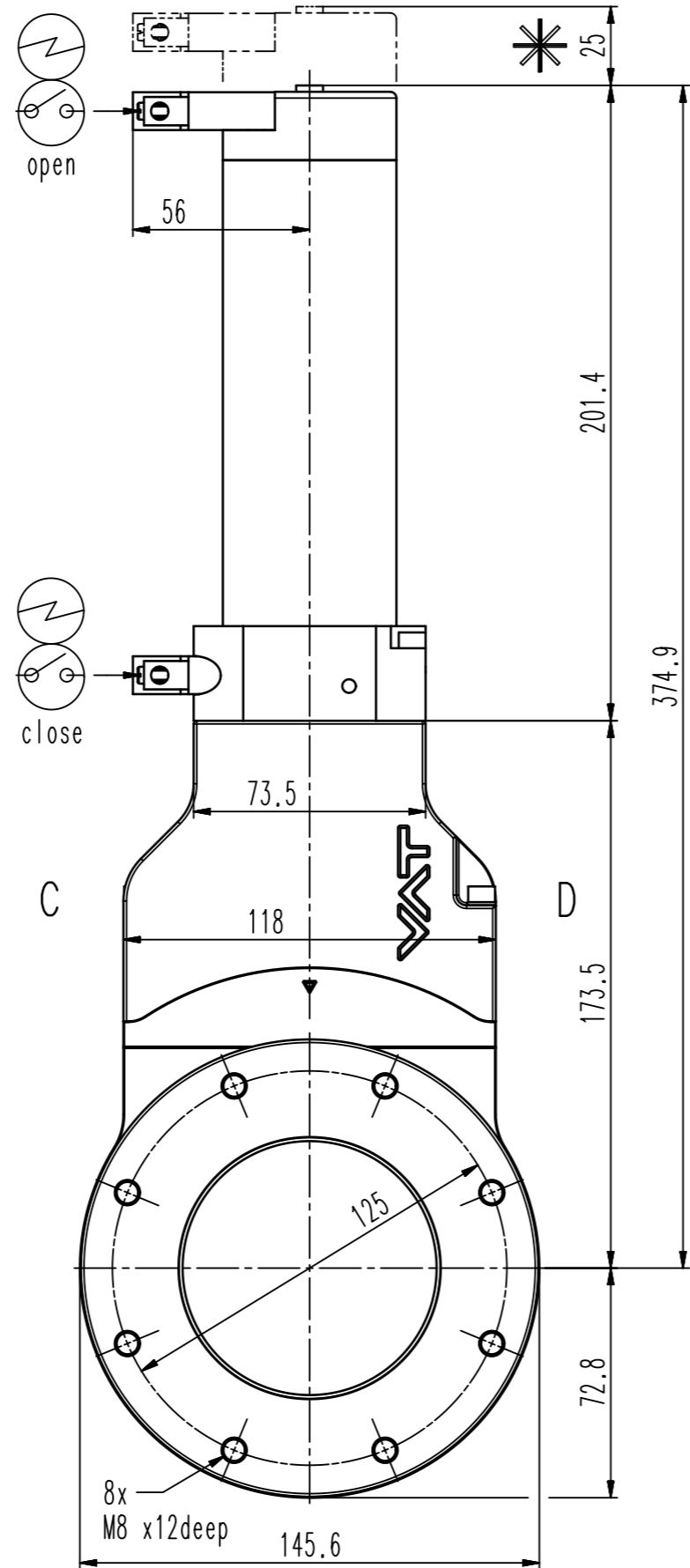


D-side



close

C



25

open

56

201.4

374.9

73.5

118

D

173.5

72.8

8x M8 x12deep

145.6

- ▼ Seat side
- ⊙ Comp. air connection
- ⊙ Electrical connection
- ⊙ Leak detection port
- ⊙ Mech. pos. indication
- ⊙ Position indicator
- ⊙ Required for dismantling
- ⊙ Emergency actuation
- ⊙ For attachment
- ⊙ Bake-out area
- ⊙ Differential pumping port

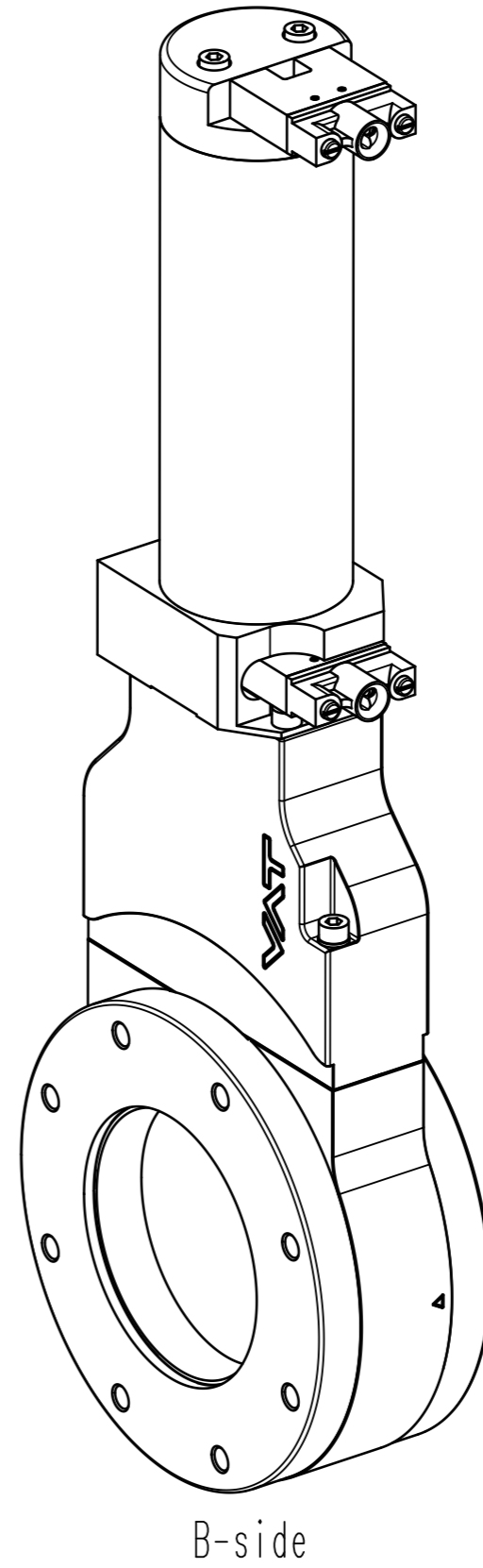
Vacuum gate valve



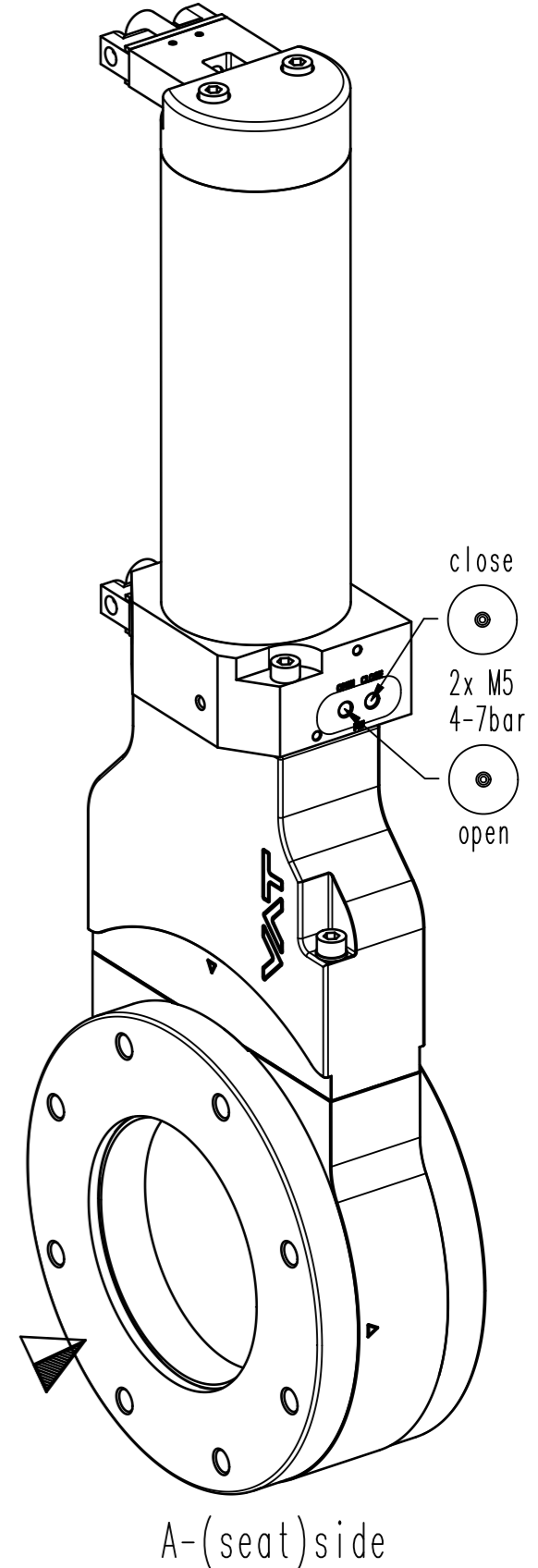
VAT Vakuumentile AG  
CH-9469 Haag, Switzerland  
Tel ++41 81 7716161 Fax ++41 81 7714830

Rev.-Date: 11.11.11  
Visa: HUC

Series	121	Ordering No.	12138-PA24-0001
Projection E	DN	Flange	
	80	ISO-F	
Dimensional Drawing	258754	Rev.	



B-side



A-(seat)side

close  
2x M5  
4-7bar  
open