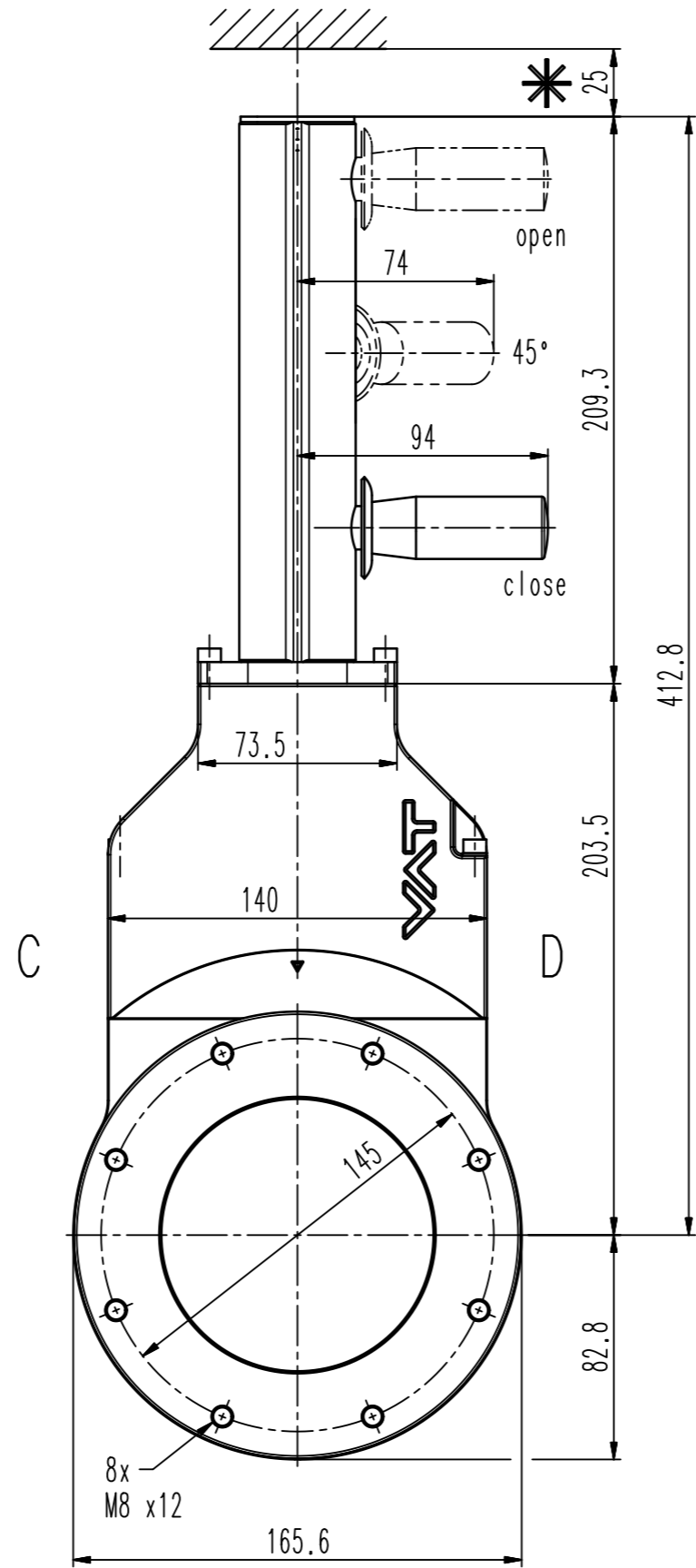


D-side

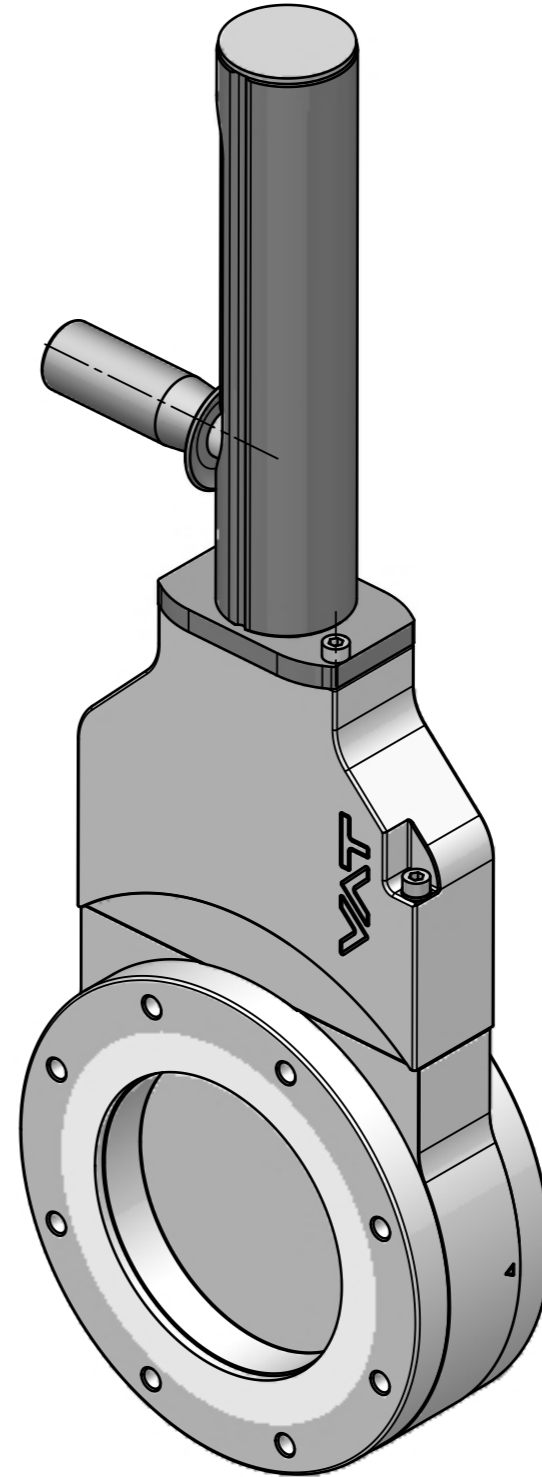


C

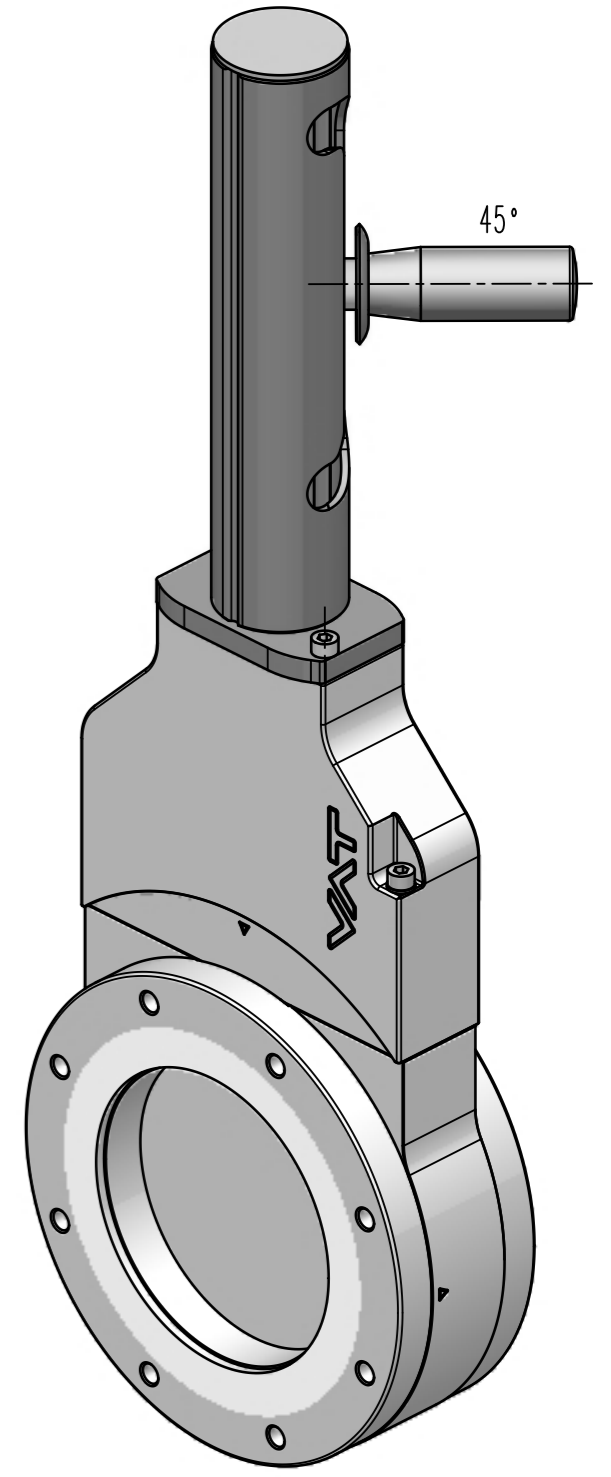
open

45°

close



B-side



A(seat)-side

- ▼ Seat side
- ⊙ Comp. air connection
- ⊙ Electrical connection
- ⊙ Leak detection port
- ⊙ Mech. pos. indication
- ⊙ Position indicator
- ⊙ Required for dismantling
- ⊙ Emergency actuation
- ⊙ For attachment
- ⊙ Bake-out area
- ⊙ Differential pumping port

### Vacuum gate valve

push rod



VAT Vakuumventile AG

CH-9469 Haag, Switzerland  
Tel ++41 81 7716161 Fax ++41 81 7714830

Rev.-Date: 04.08.04

Visa: HUC

Series	121	Ordering No.	12140-PA03-0001
Projection E	DN	Flange	
	100	ISO-F	
Dimensional Drawing	253229	Rev.	B