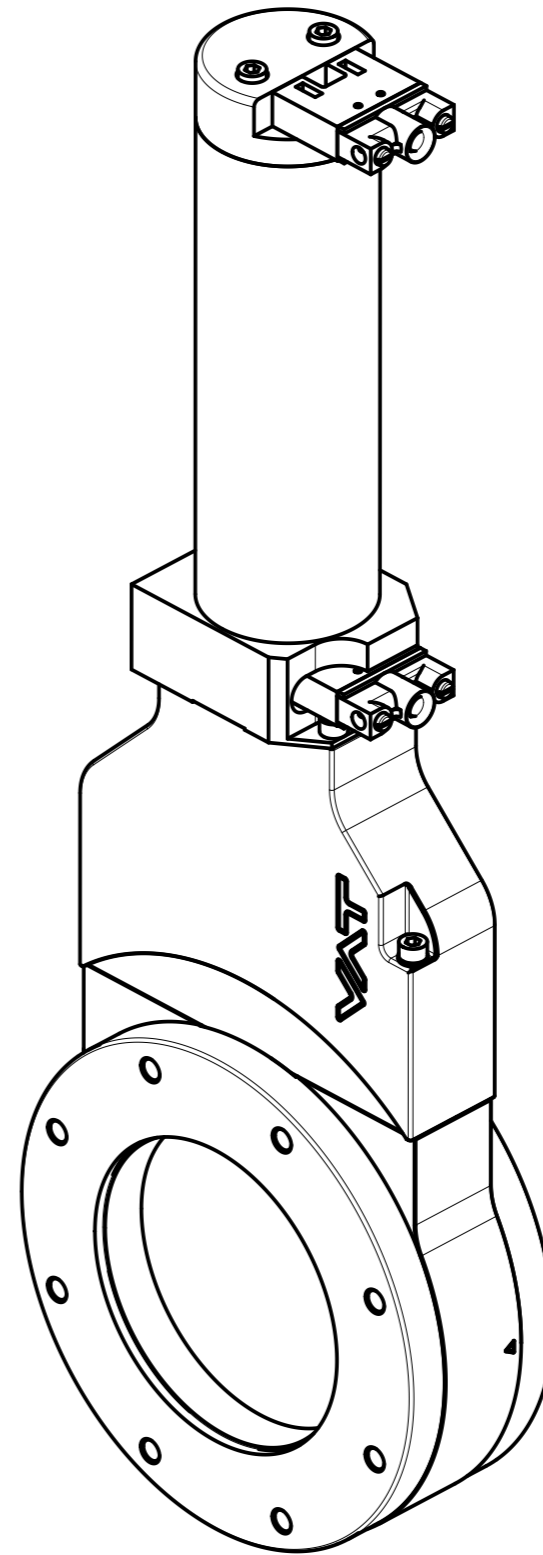
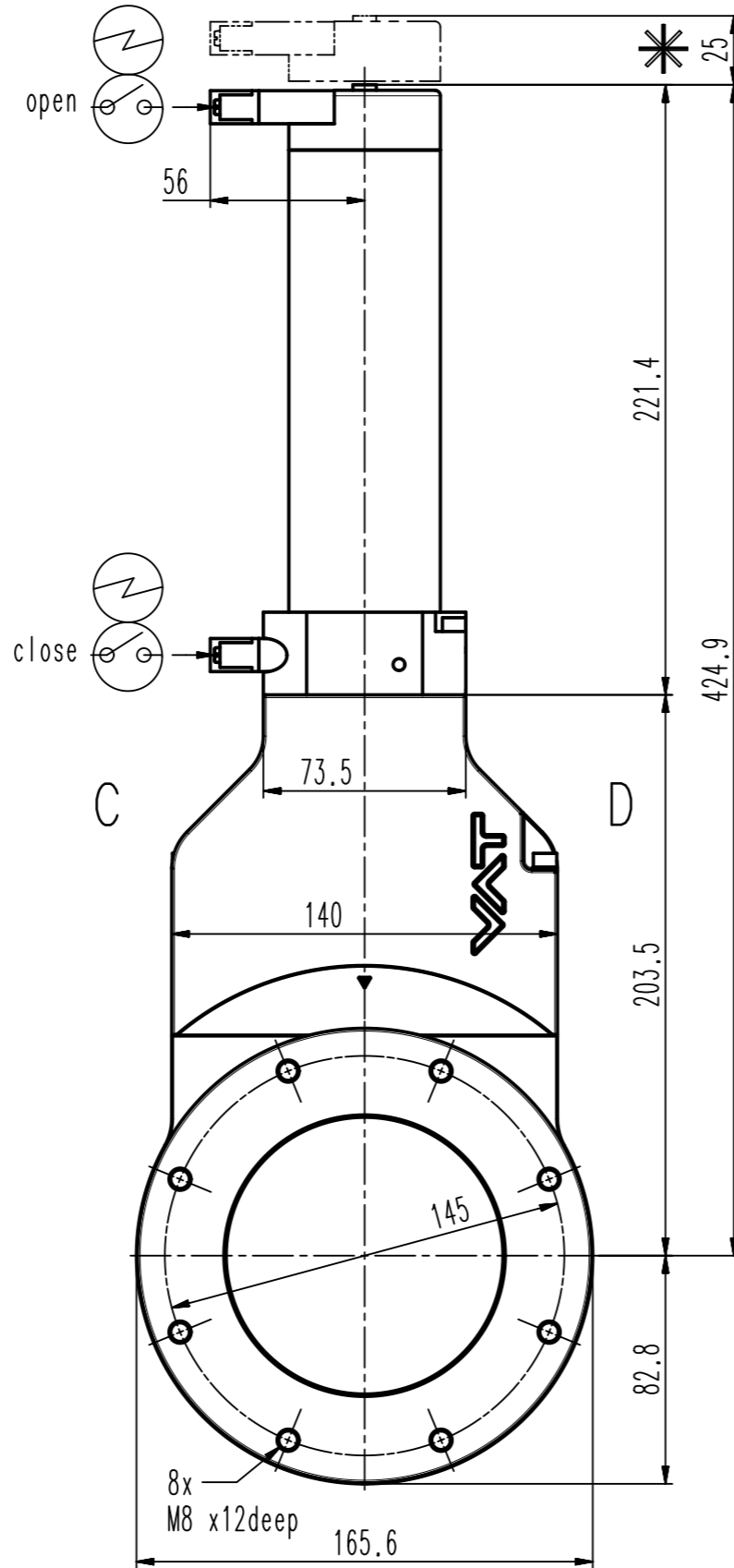
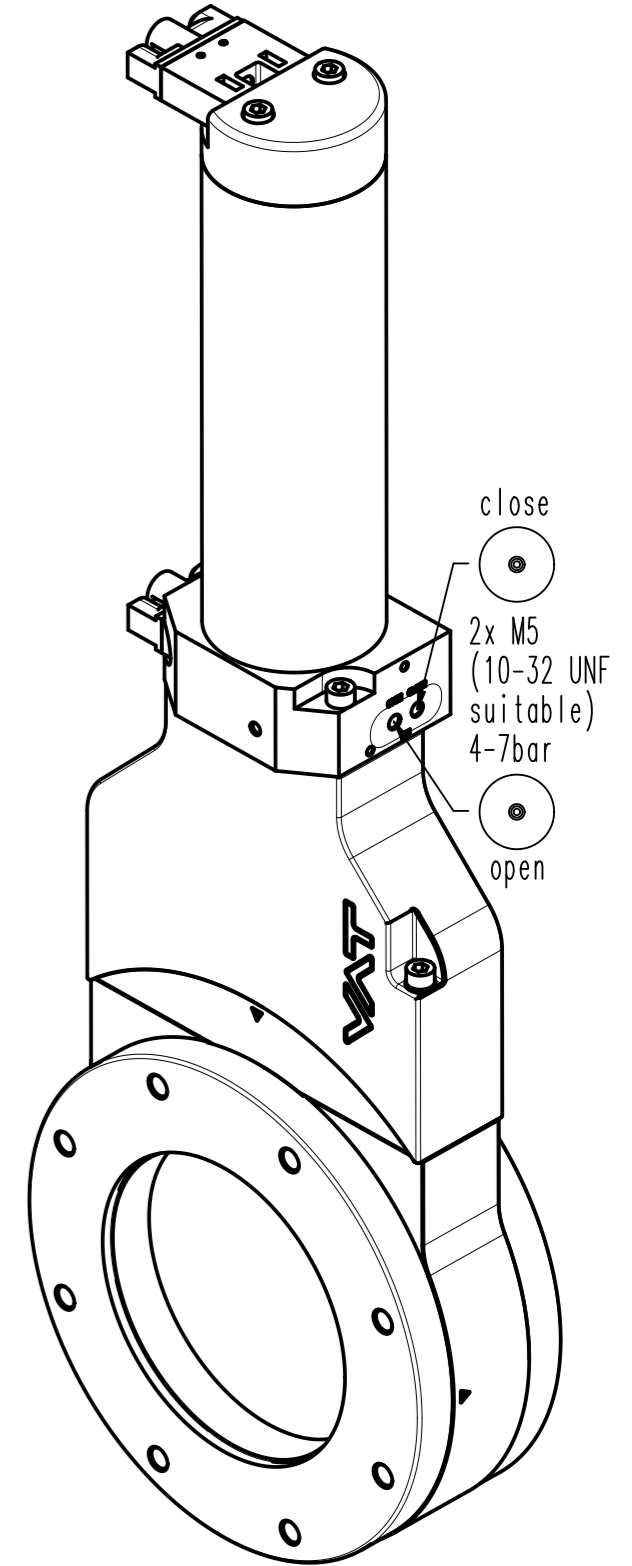


D-side



B-side



A(seat)-side

- ▼ Seat side
- ⊙ Comp. air connection
- ⊙ Electrical connection
- ⊙ Leak detection port
- ⊙ Mech. pos. indication
- ⊙ Position indicator
- ★ Required for dismantling
- ⊙ Emergency actuation
- ⊙ For attachment
- ⊙ Bake-out area
- ⊙ Differential pumping port

Vacuum gate valve



VAT Vakuumentile AG  
 CH-9469 Haag, Switzerland  
 Tel ++41 81 7716161 Fax ++41 81 7714830

Rev.-Date: 12.08.03  
 Visa: HUC

Series	121	Ordering No.	12140-PA24-0001
Projection E	DN	Flange	
	100	ISO-F	
Dimensional Drawing	242153	Rev.	B