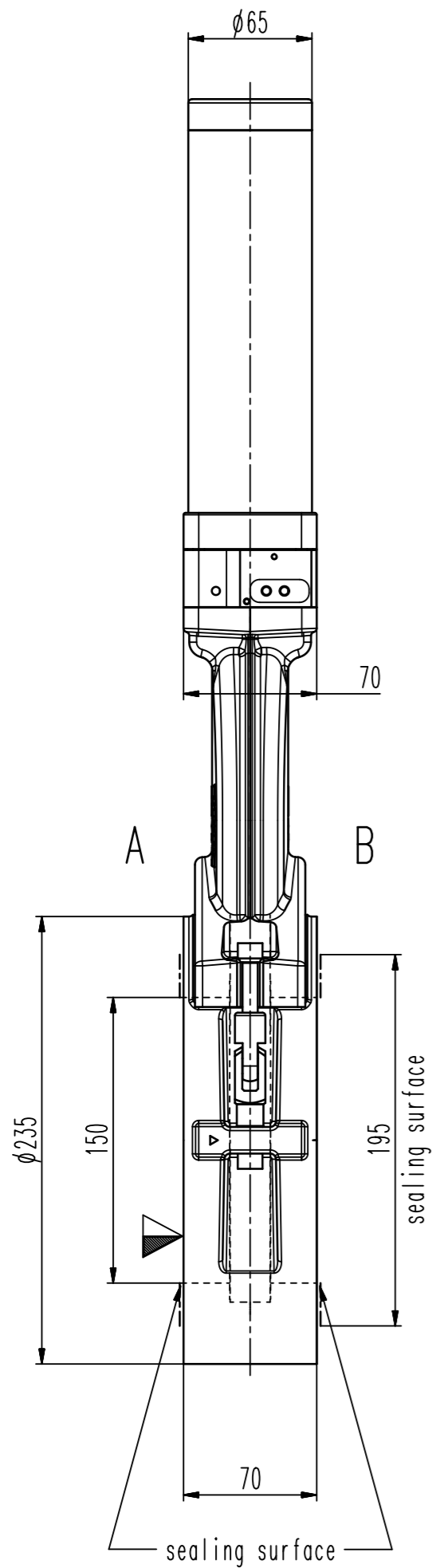


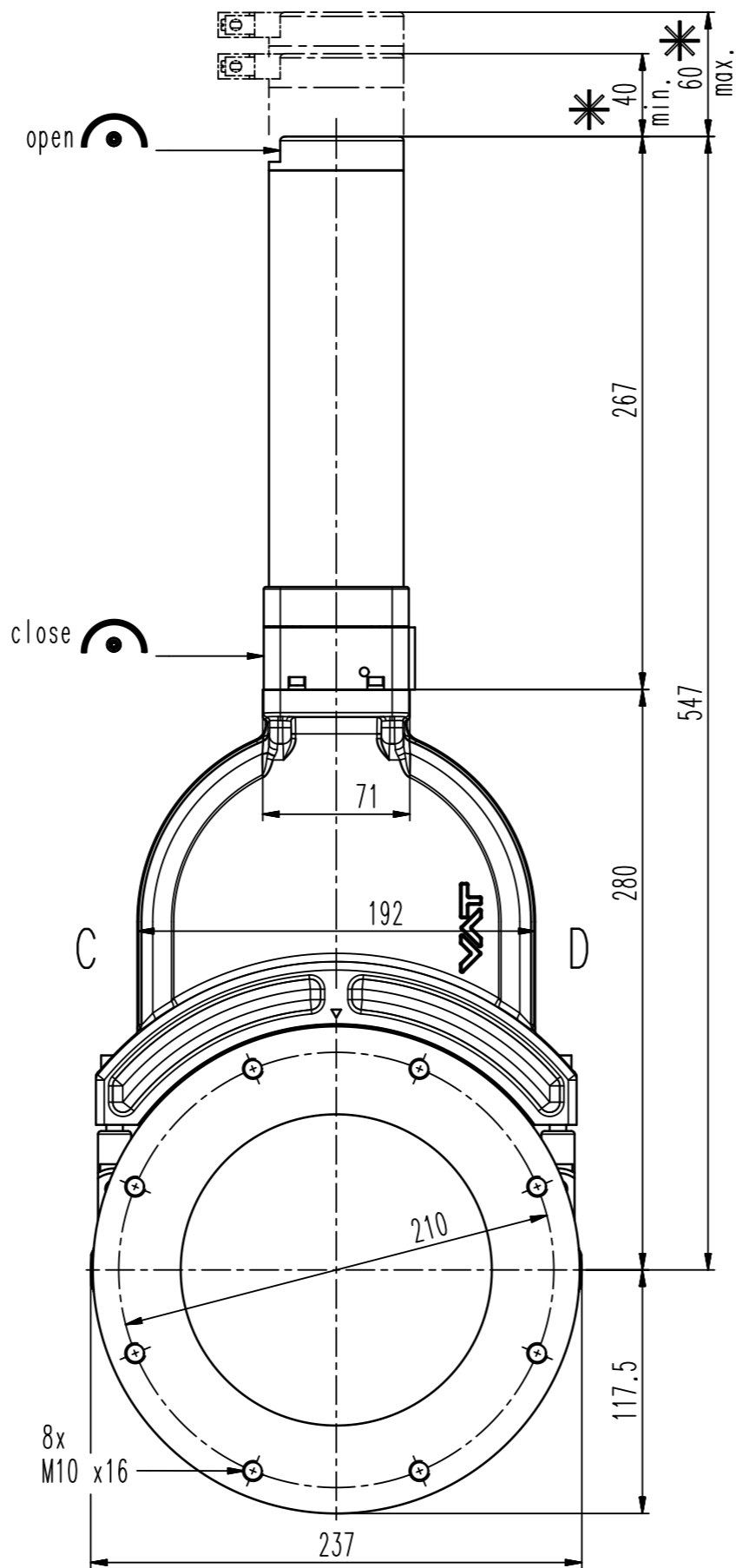
This drawing is the property of VAT.

Revision

Customer number



D-side



8x
M10 x16

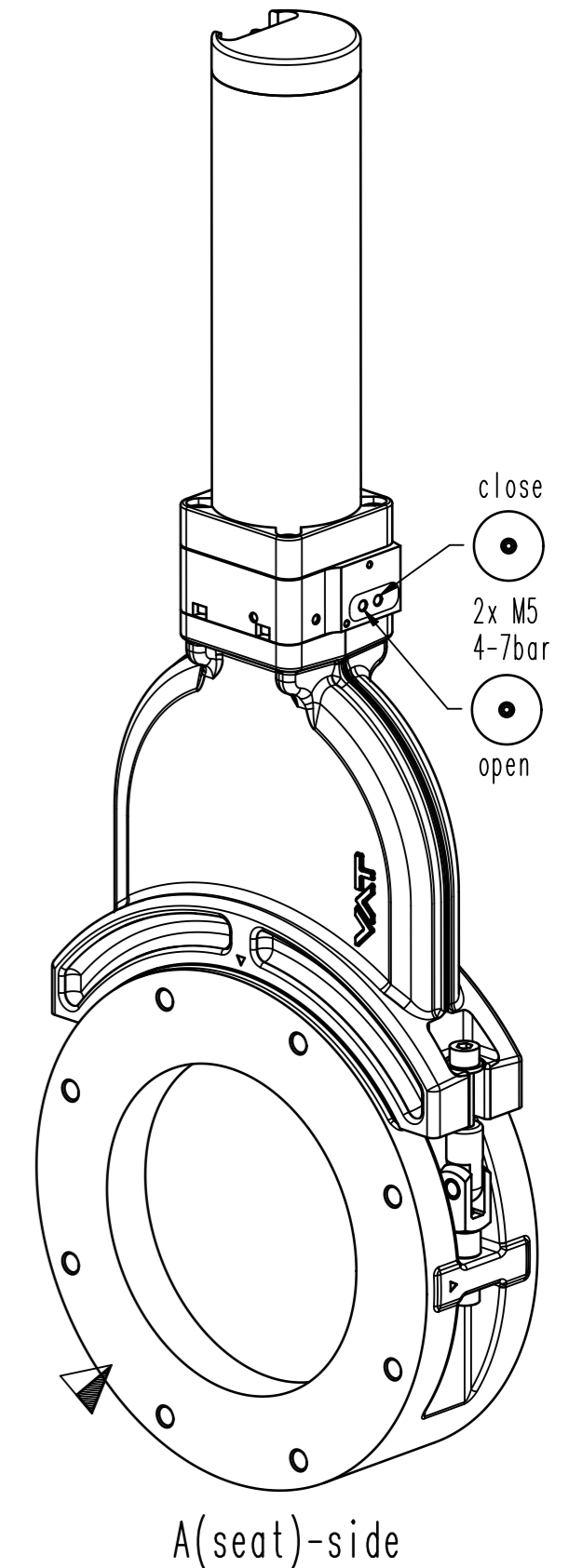
- ▼ Seat side
- ⊙ Comp. air connection
- ⊙ Electrical connection
- ⊙ Leak detection port
- ⊙ Mech. pos. indication
- ⊙ Position indicator
- ⊙ Required for dismantling
- ⊙ Emergency actuation
- ⊙ For attachment
- ⊙ Bake-out area
- ⊙ Differential pumping port

Vacuum gate valve



VAT Vakuumentile AG
CH-9469 Haag, Switzerland
Tel ++41 81 7716161 Fax ++41 81 7714830

Date: 03.10.02
Name: BRR



B-side

A(seat)-side

Series	121	Ordering No.	12144-JA14-0001
Projection E	DN	Flange	JIS
Dimensional Drawing	160	233366	Rev. A