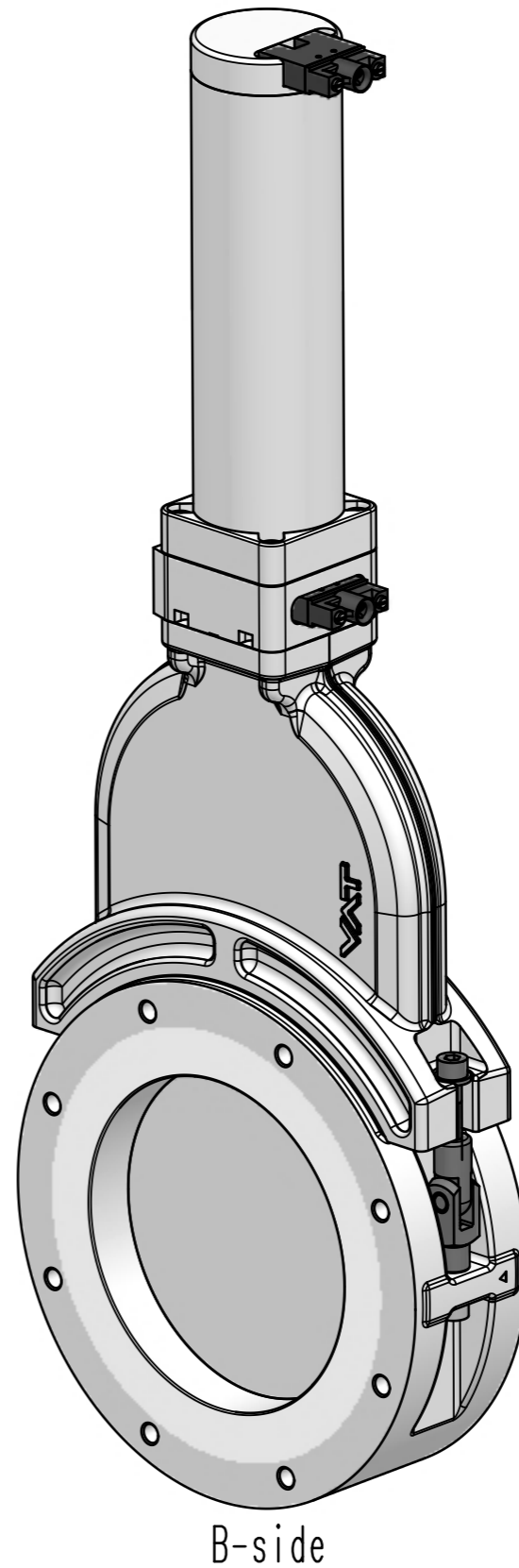
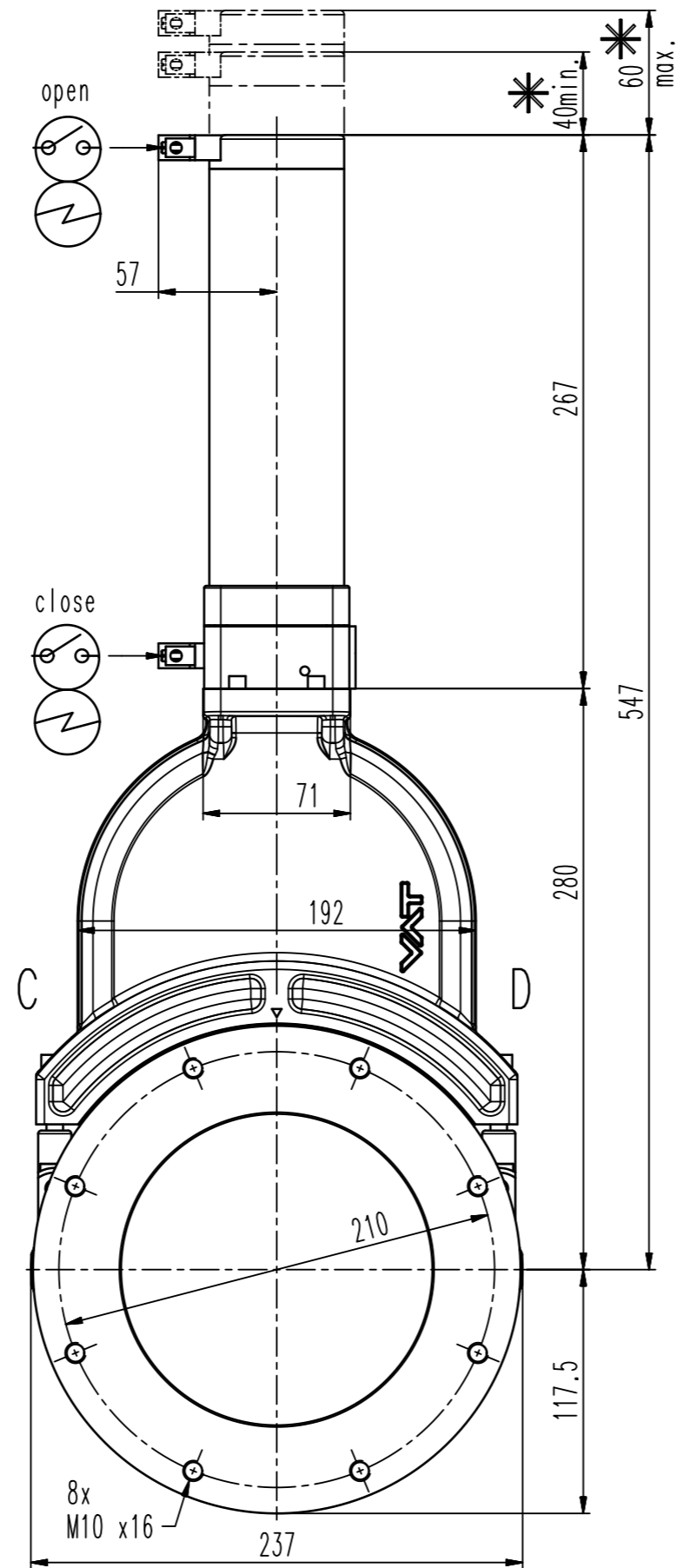
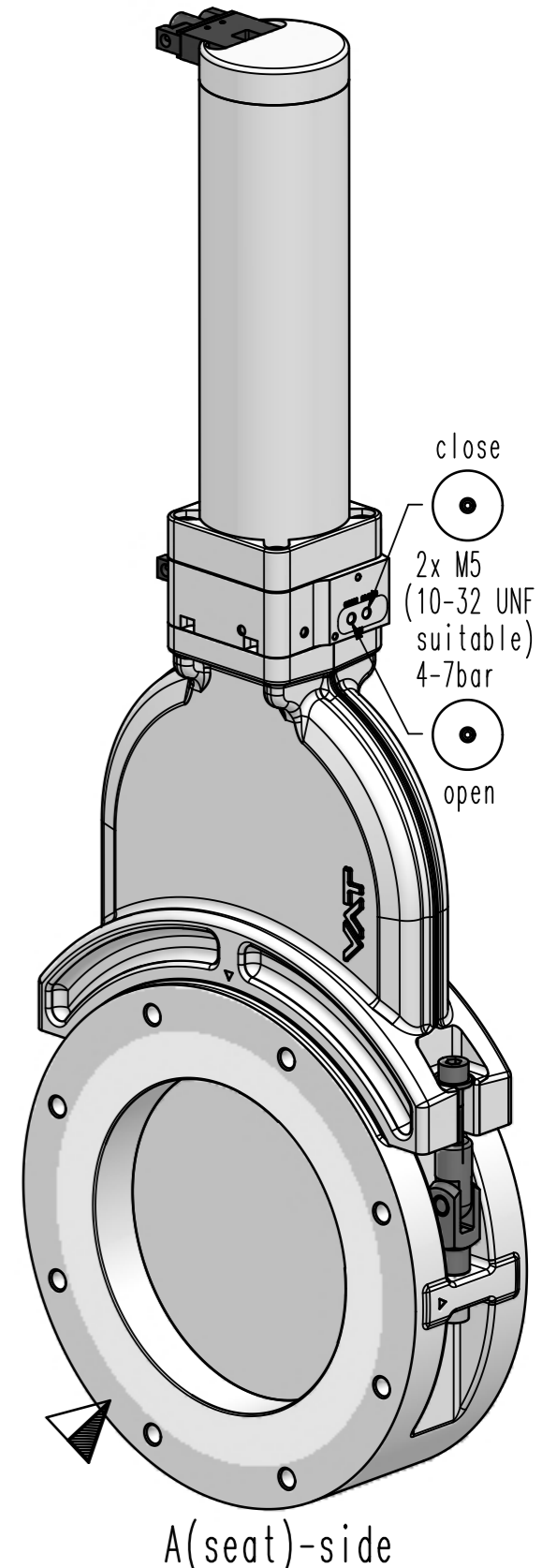


D-side



B-side



A(seat)-side

- ▼ Seat side
- ⊙ Comp. air connection
- ⊙ Electrical connection
- ⊙ Leak detection port
- ⊙ Mech. pos. indication
- ⊙ Position indicator
- ⊙ Required for dismantling
- ⊙ Emergency actuation
- ⊙ For attachment
- ⊙ Bake-out area
- ⊙ Differential pumping port

vacuum gate valve



VAT Vakuumventile AG
CH-9469 Haag, Switzerland
Tel ++41 81 7716161 Fax ++41 81 7714830

Rev.-Date: 23.11.11
Visa: PEM

Series	121	Ordering No.	12144-JA24-0001
Projection E	DN	Flange	JIS
	160		
Dimensional Drawing	222328	Rev.	A