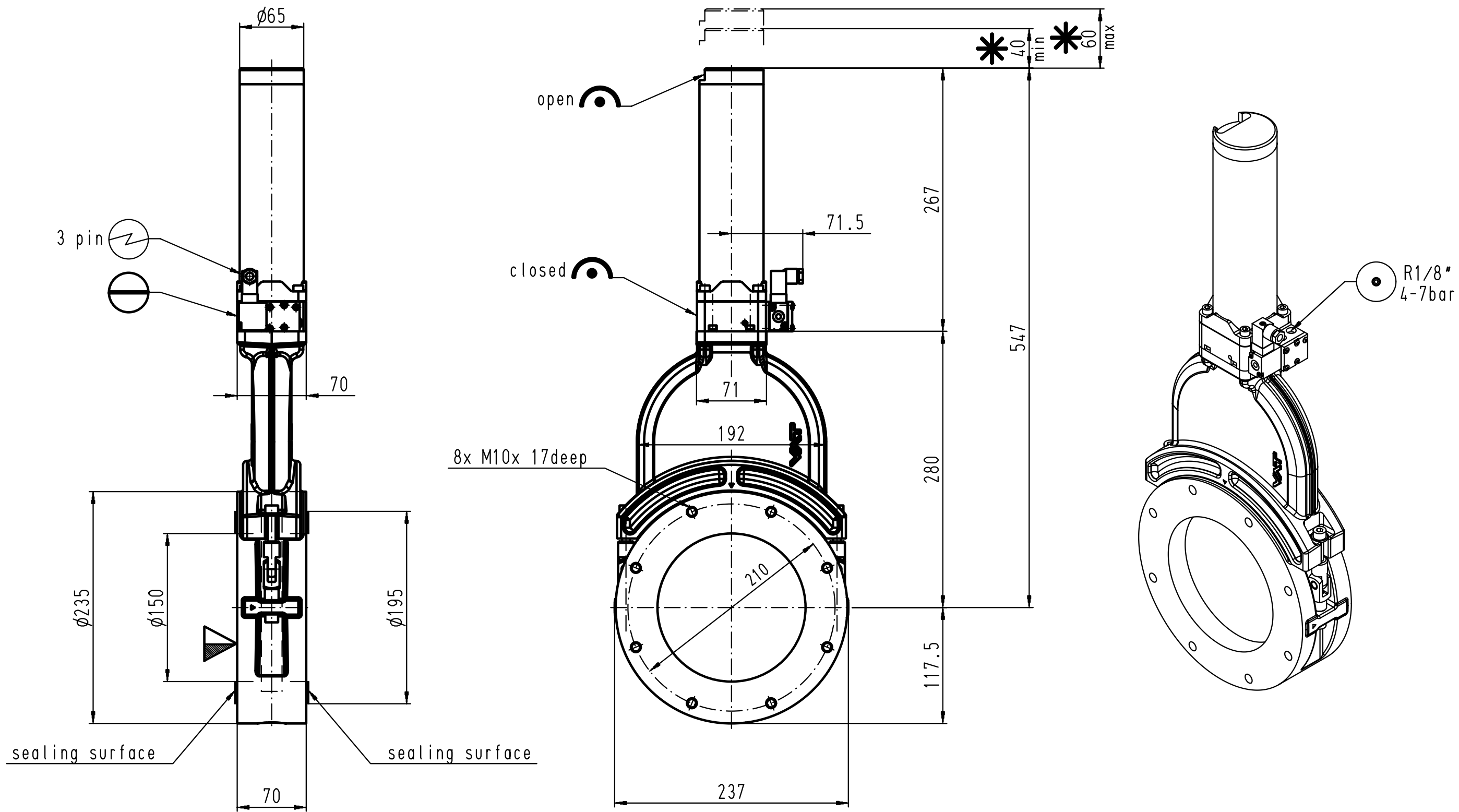


This drawing is the property of VAT.
Without the written consent of VAT, it must
not be copied or distributed to a third person



| | |
|----------|--|
| Revision | |
| Code | |
| Date | |
| Name | |

- ▼ Seat side
- ⊙ Comp. air connection
- ⊕ Electrical connection
- ⊖ Leak detection port
- ⊗ Mech. pos. indication
- ⊘ Position indicator
- * Required for dismantling
- ⊙ Emergency actuation
- ⊕ For attachment
- ⊖ Bake-out area
- ⊗ Differential pumping port

Vacuum Gate Valve

pneumatic actuator



VAT Vakuumventile AG
CH-9469 Haag, Switzerland
Tel ++41 81 7716161 Fax ++41 81 7714830

Date: 03.10.2002
Name: BRR

| | | | |
|---------------------|--------|--------------|------------|
| Series | 12 | Ordering No. | 12144-JA34 |
| Projection E | | DN | 160 |
| Flange | JIS | Rev. | |
| Dimensional Drawing | 233365 | | |