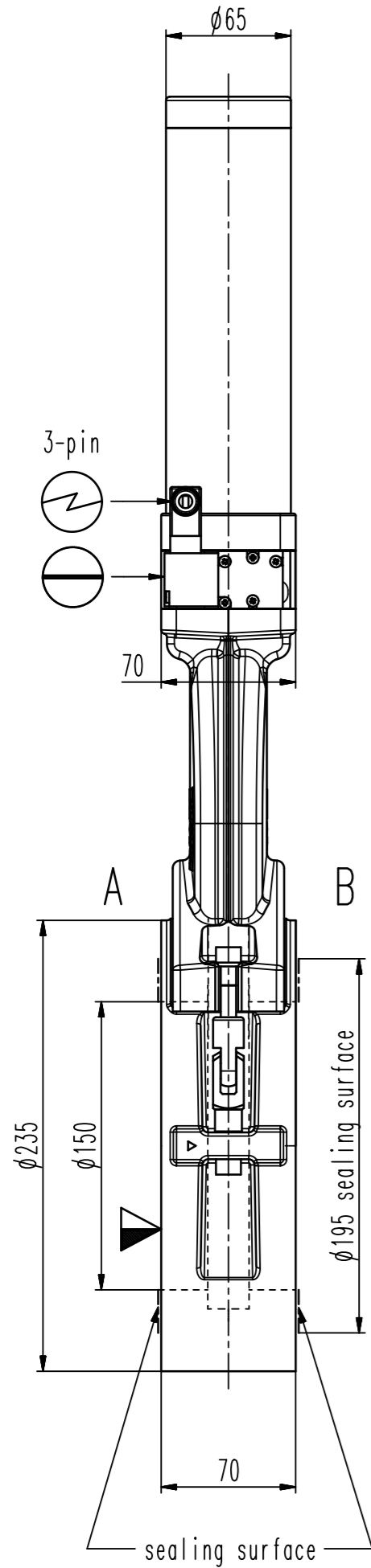


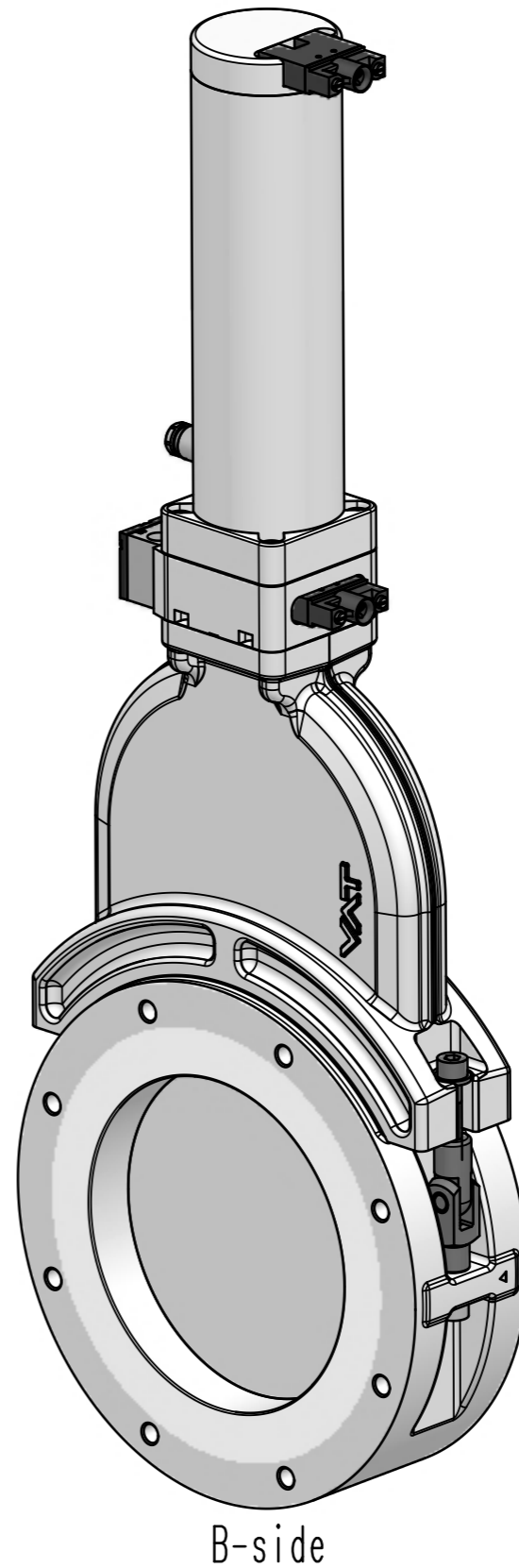
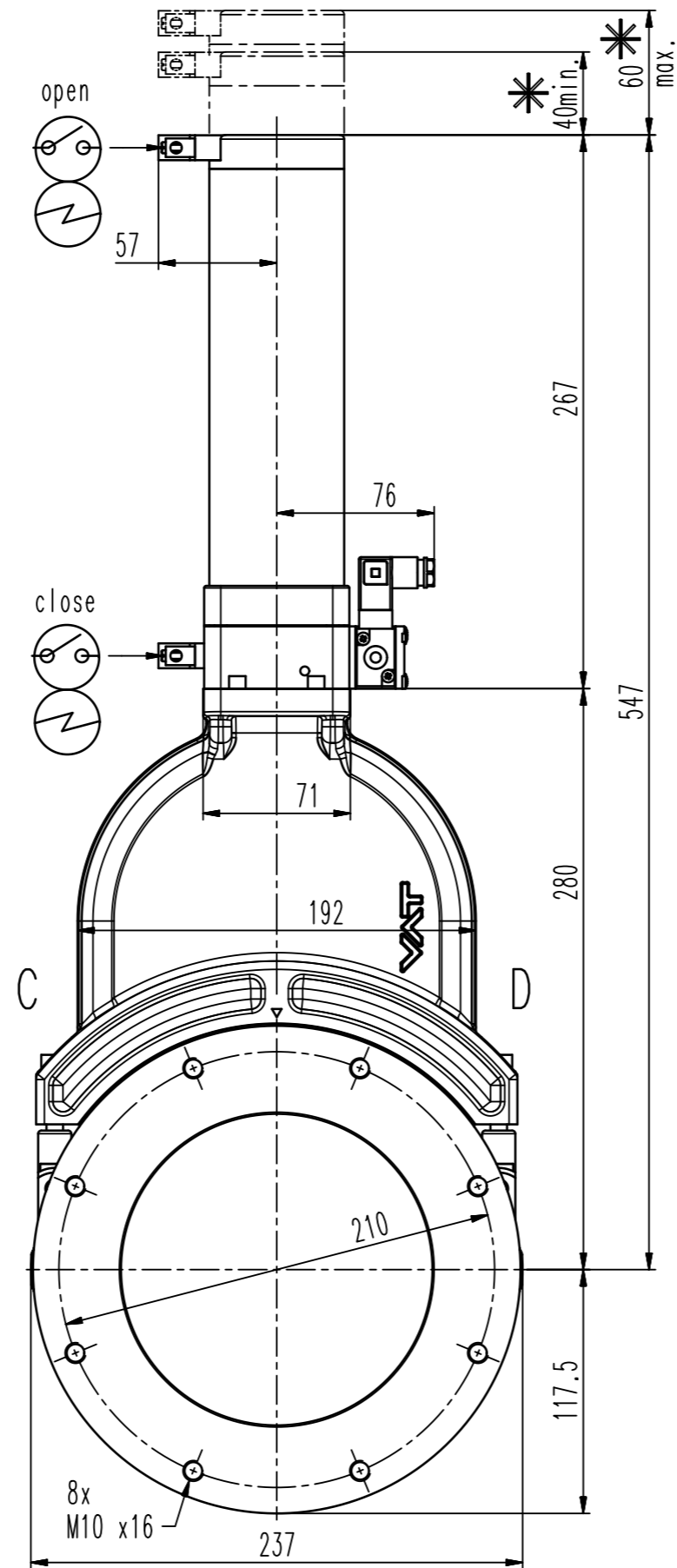
This drawing is the property of VAT.

Revision

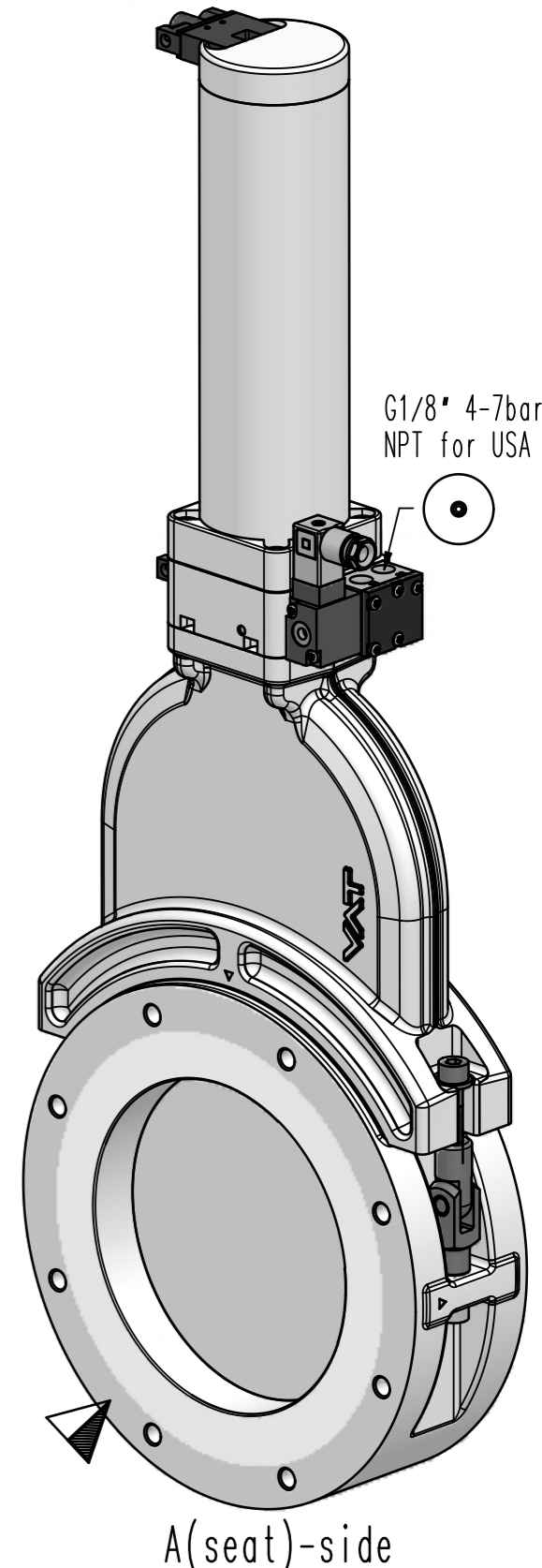
Customer number



D-side



B-side



A(seat)-side

- ▼ Seat side
- ⊕ Comp. air connection
- ⊖ Electrical connection
- ⊙ Leak detection port
- ⊚ Mech. pos. indication
- ⊛ Position indicator
- ⊜ Required for dismantling
- ⊝ Emergency actuation
- ⊞ For attachment
- ⊟ Bake-out area
- ⊠ Differential pumping port

Vacuum gate valve



VAT Vakuumventile AG
CH-9469 Haag, Switzerland
Tel ++41 81 7716161 Fax ++41 81 7714830

Rev.-Date: 23.11.11
Visa: PEM

Series	121	Ordering No.	12144-JA44-0001
Projection E	DN	Flange	JIS
	160	Rev.	A
Dimensional Drawing	224130		