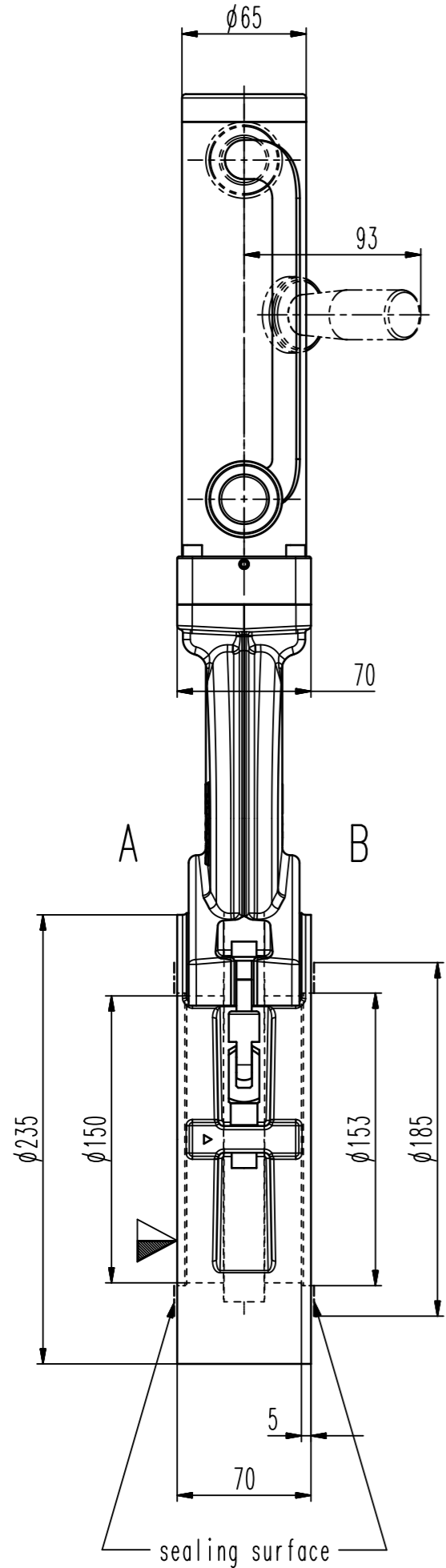


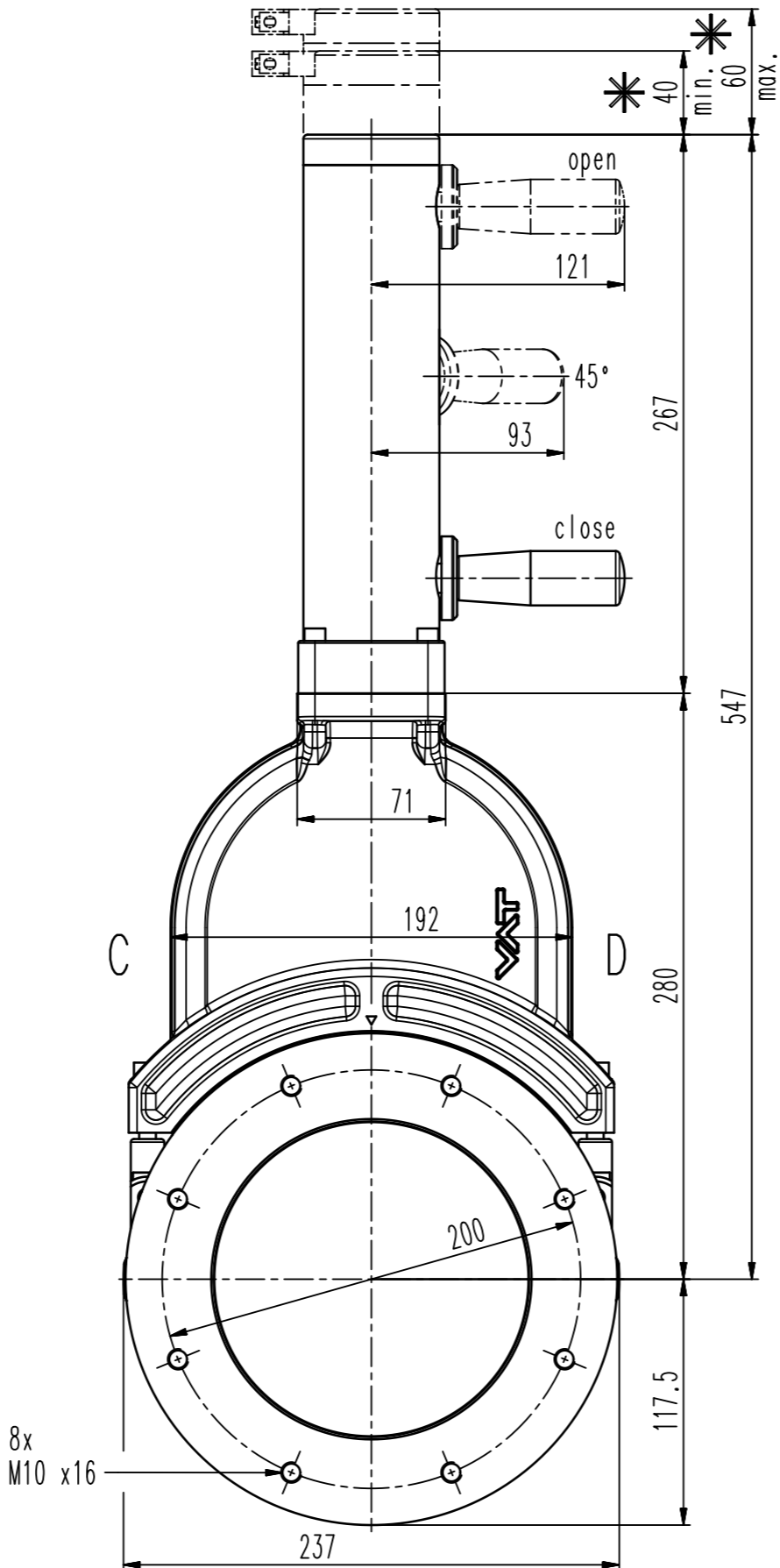
This drawing is the property of VAT.

Revision

Customer number



D-side



- ▼ Seat side
- ⊙ Comp. air connection
- ⊙ Electrical connection
- ⊙ Leak detection port
- ⊙ Mech. pos. indication
- ⊙ Position indicator
- ⊙ Required for dismantling
- ⊙ Emergency actuation
- ⊙ For attachment
- ⊙ Bake-out area
- ⊙ Differential pumping port

vacuum gate valve



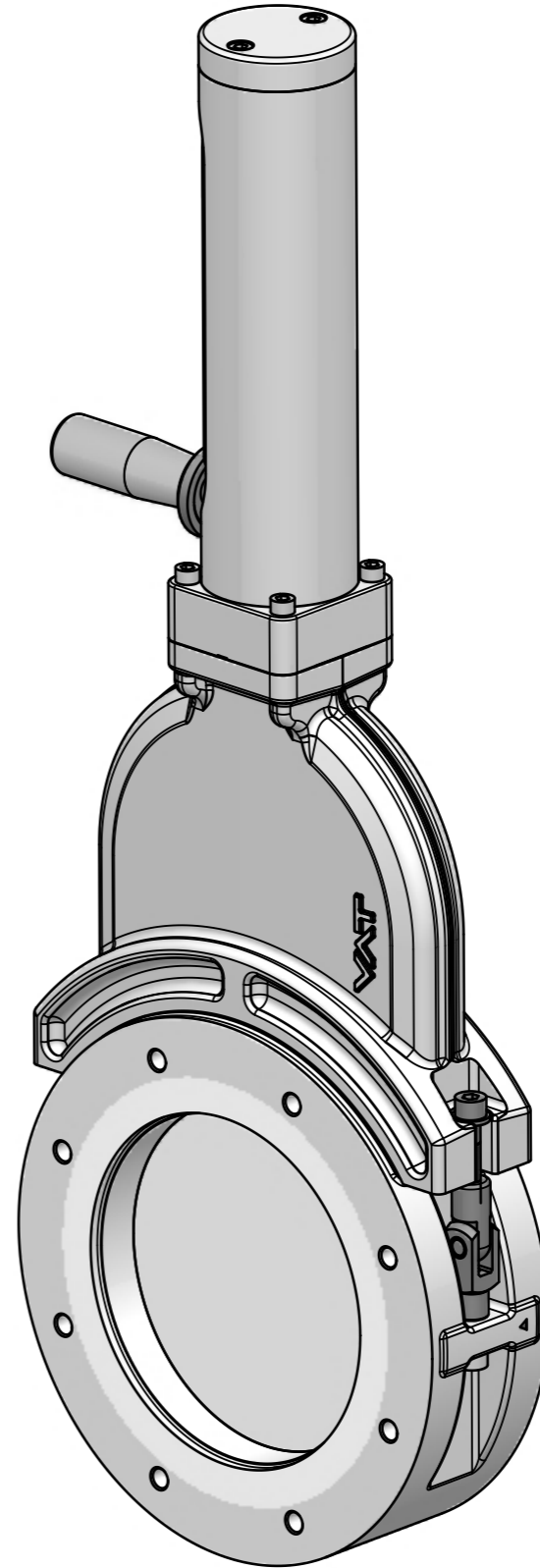
VAT Vakuumventile AG

CH-9469 Haag, Switzerland  
Tel ++41 81 7716161 Fax ++41 81 7714830

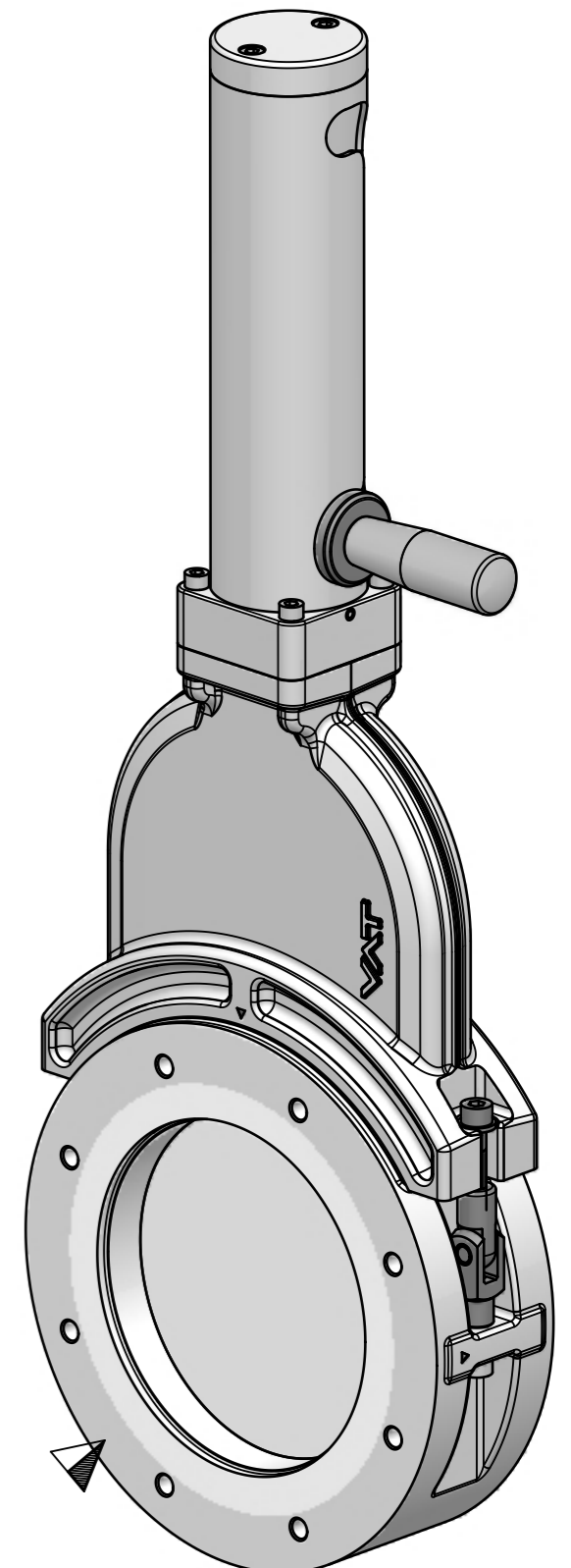
Rev.-Date: 22.11.11

Visa: PEM

Series	121	Ordering No.	12144-PA03-0001
Projection E	DN	Flange	ISO-F
	160		
Dimensional Drawing	221554	Rev.	A



B-side



A(seat)-side