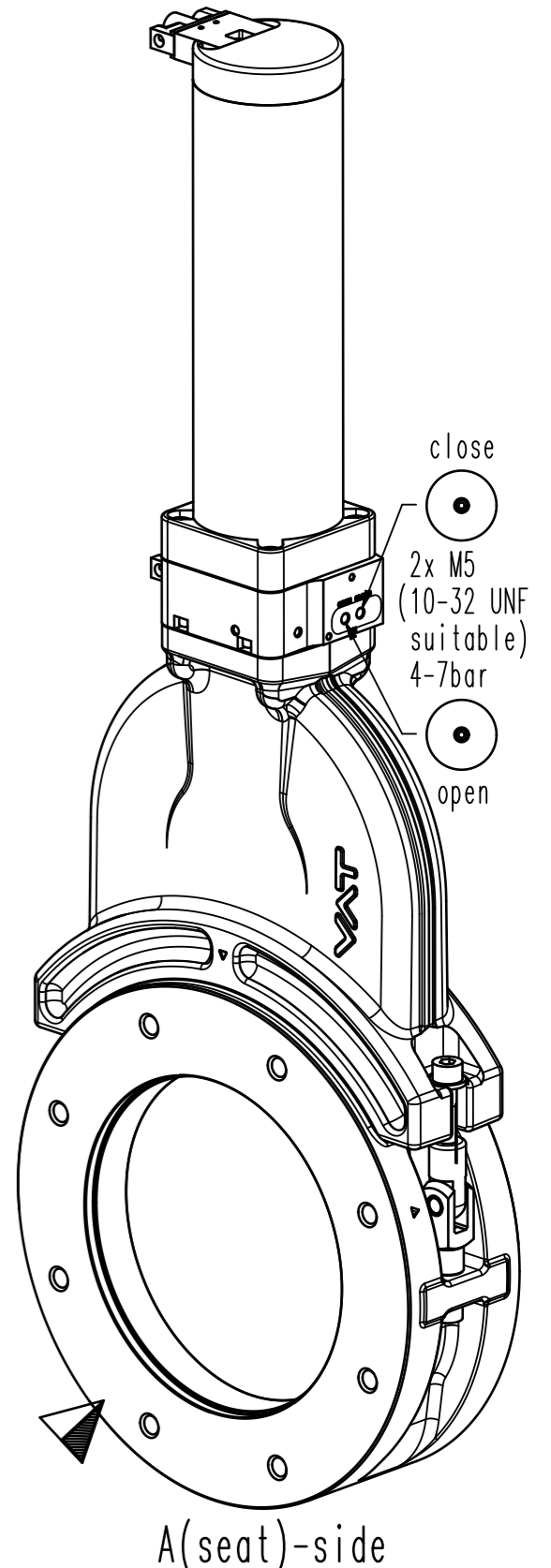
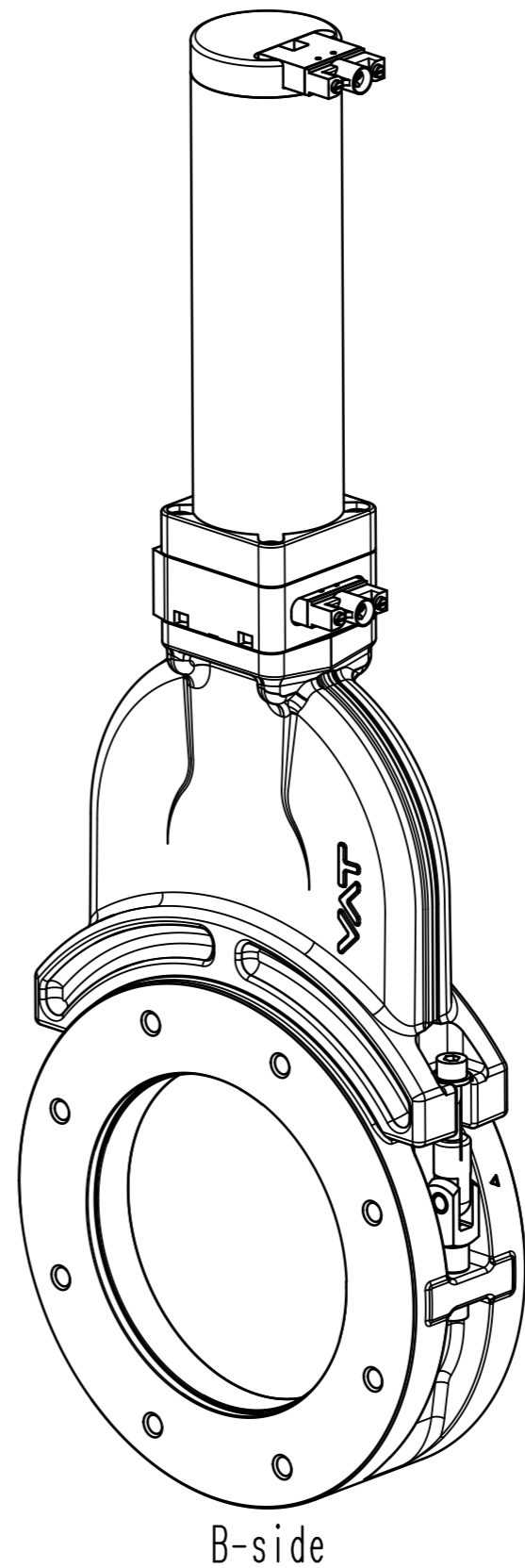
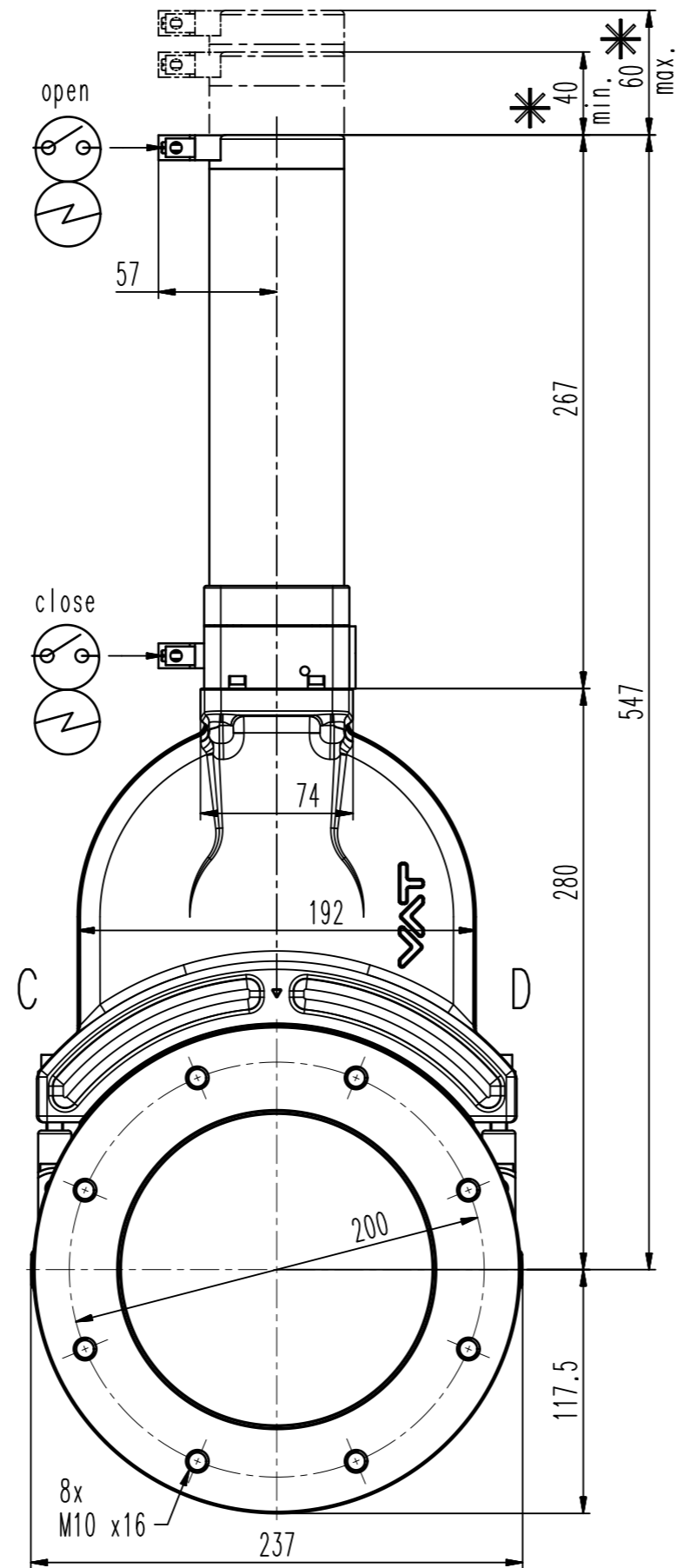
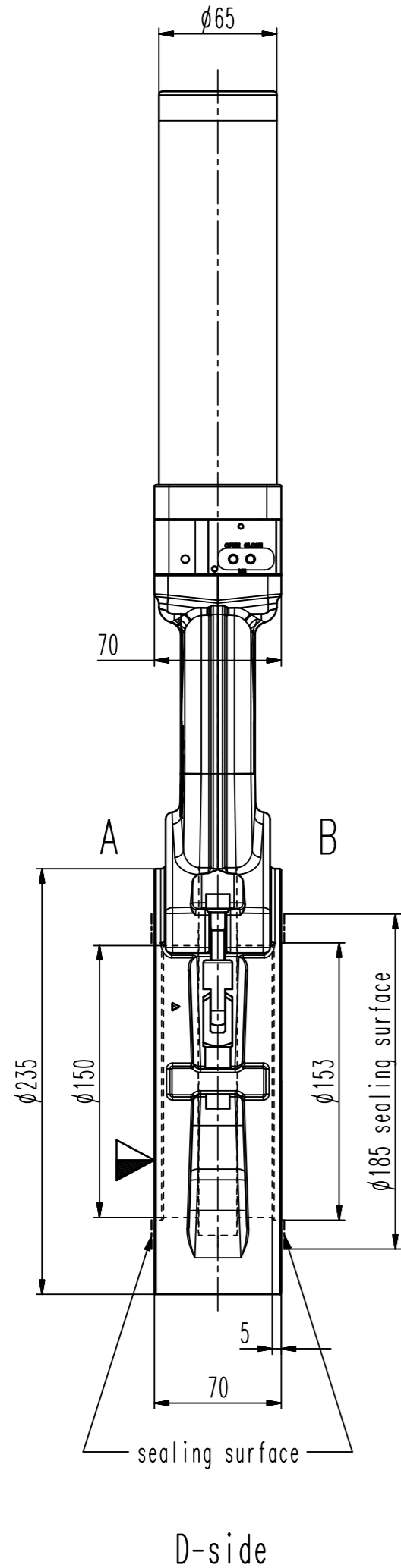


This drawing is the property of VAT.

Revision

Customer number



- ▼ Seat side
- ⊙ Comp. air connection
- ⊚ Electrical connection
- ⊙ Leak detection port
- ⊚ Mech. pos. indication
- ⊙ Position indicator
- ⊚ Required for dismantling
- ⊙ Emergency actuation
- ⊚ For attachment
- ⊙ Bake-out area
- ⊚ Differential pumping port

Vacuum gate valve



VAT Vakuumentile AG
CH-9469 Haag, Switzerland
Tel ++41 81 7716161 Fax ++41 81 7714830

Rev.-Date: 14.05.01
Visa: HUC

Series	121	Ordering No.	12144-PA24-0001
Projection E	DN	Flange	
	160	ISO-F	
Dimensional Drawing	220886	Rev.	