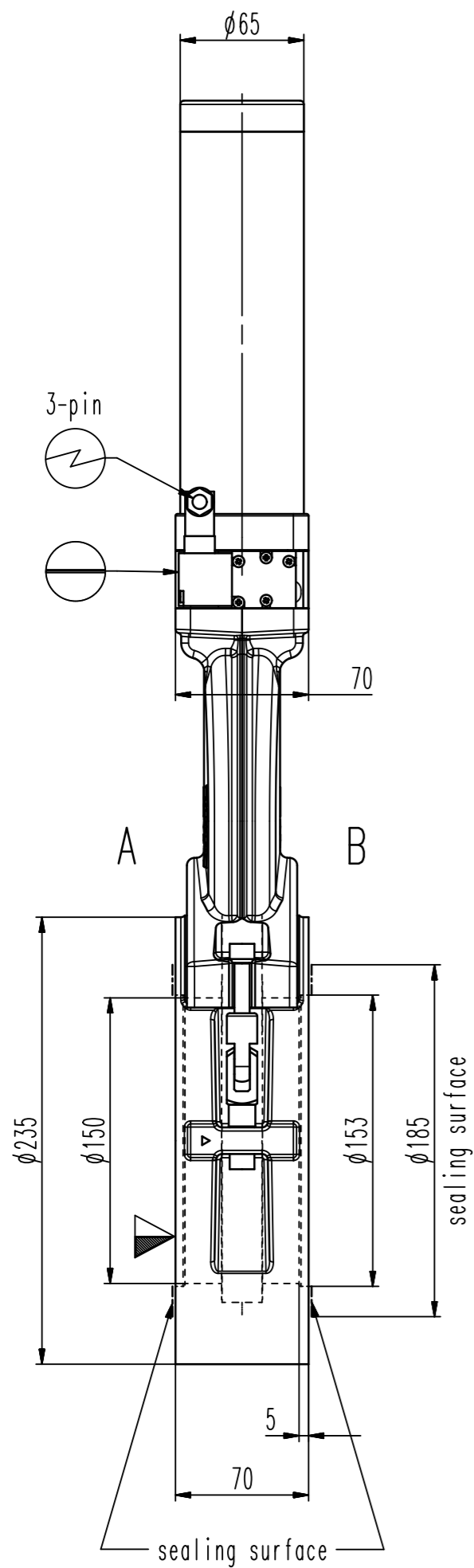


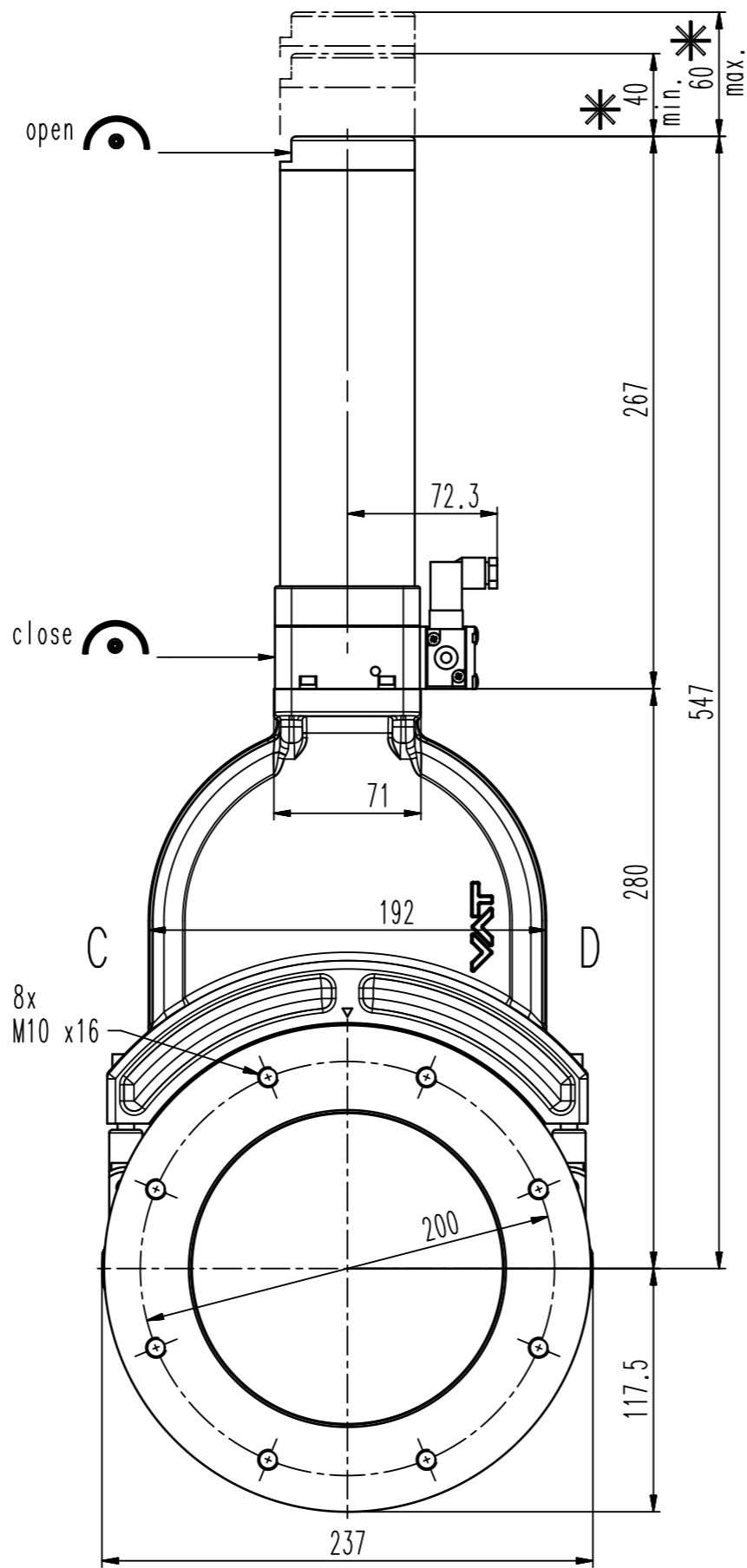
This drawing is the property of VAT.

Revision

Customer number



D-side



8x  
M10 x16

Vacuum gate valve

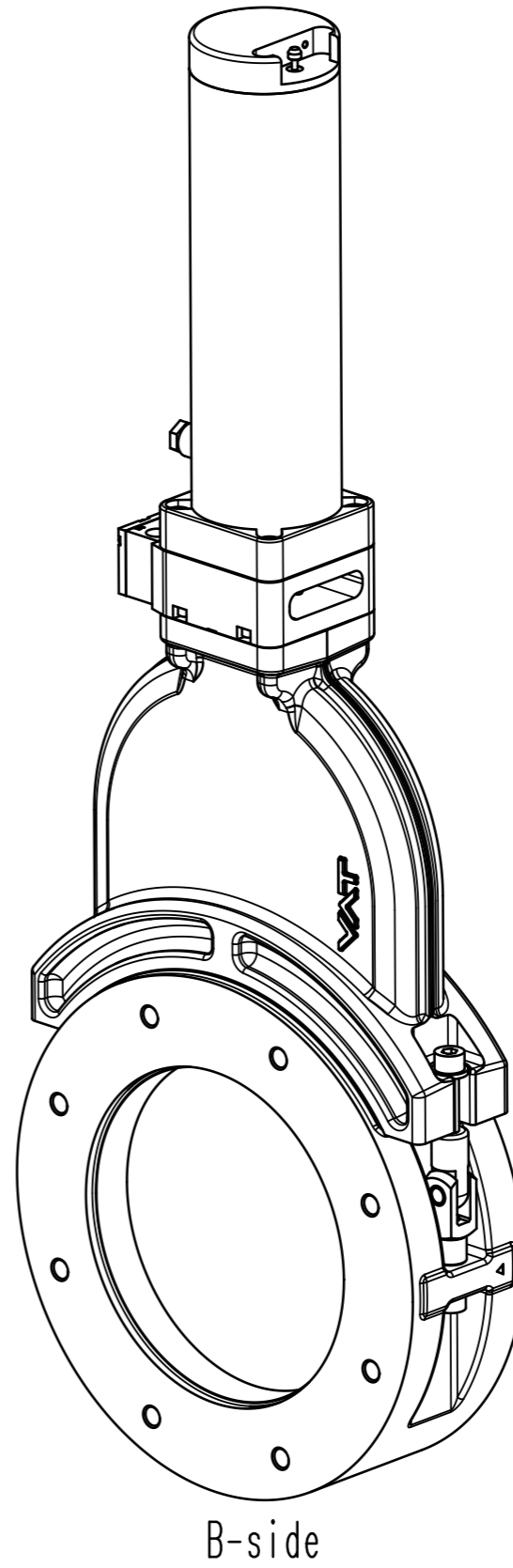
- ▼ Seat side
- ⊕ Comp. air connection
- ⊖ Electrical connection
- ⊙ Leak detection port
- ⊚ Mech. pos. indication
- ⊛ Position indicator
- ⊜ Required for dismantling
- ⊝ Emergency actuation
- ⊞ For attachment
- ⊟ Bake-out area
- ⊠ Differential pumping port



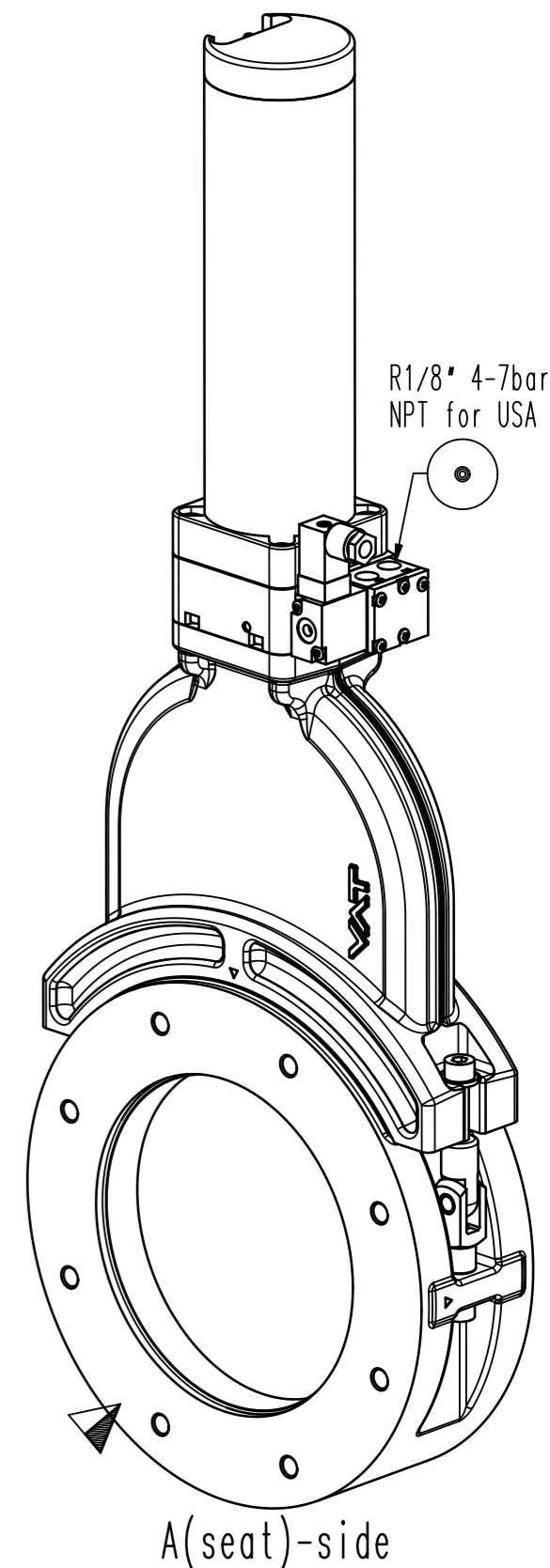
VAT Vakuumentile AG  
CH-9469 Haag, Switzerland  
Tel ++41 81 7716161 Fax ++41 81 7714830

Date: 11.10.02  
Name: BRR

Series	121	Ordering No.	12144-PA34-0001
Projection E	DN	Flange	
	160	ISO-F	
Dimensional Drawing	233608	Rev.	A



B-side



A(seat)-side

R1/8" 4-7bar  
NPT for USA