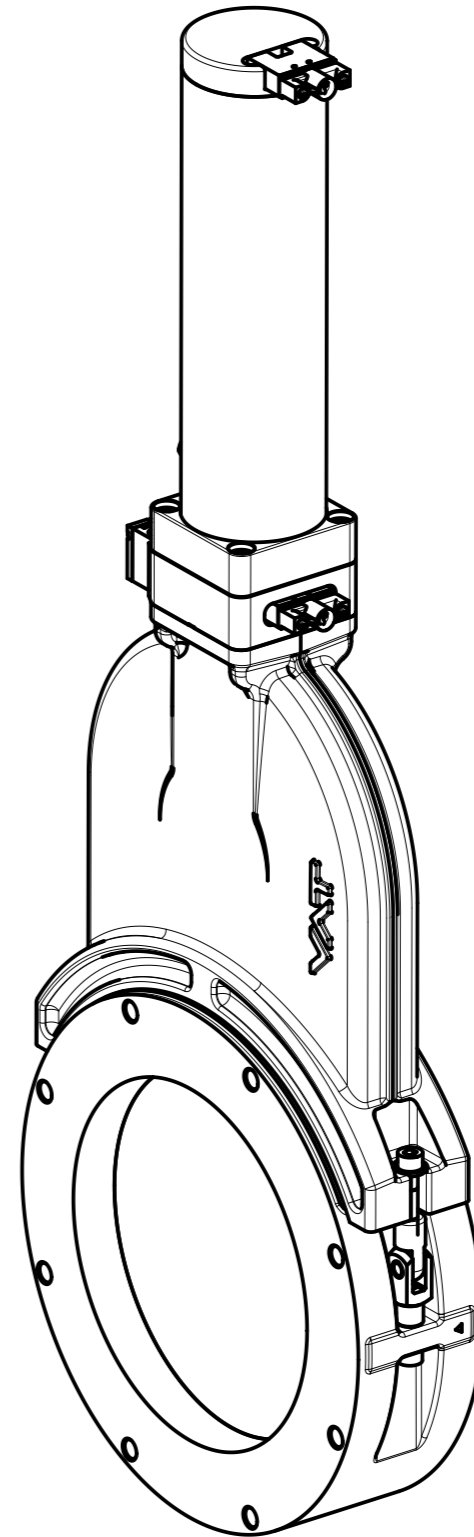
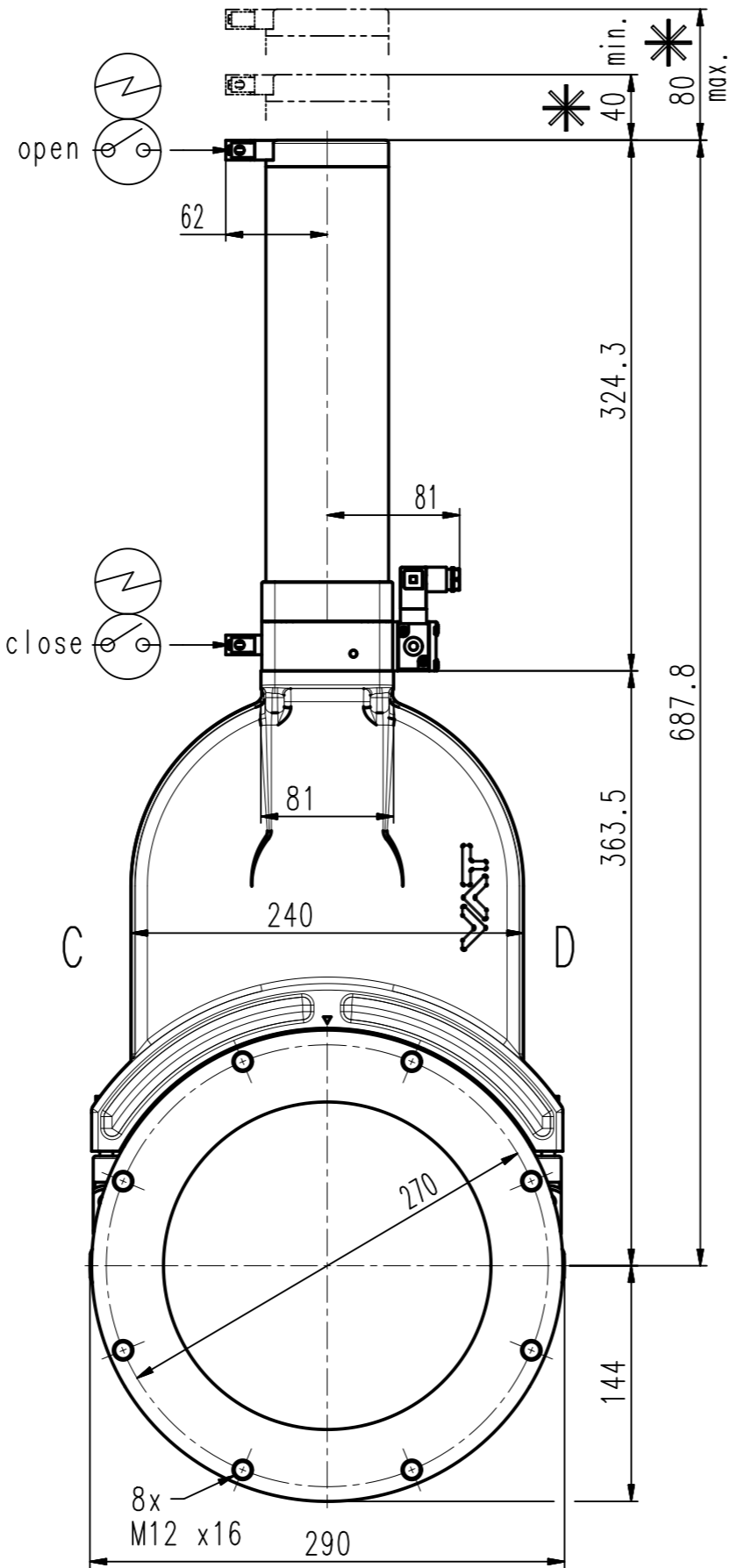
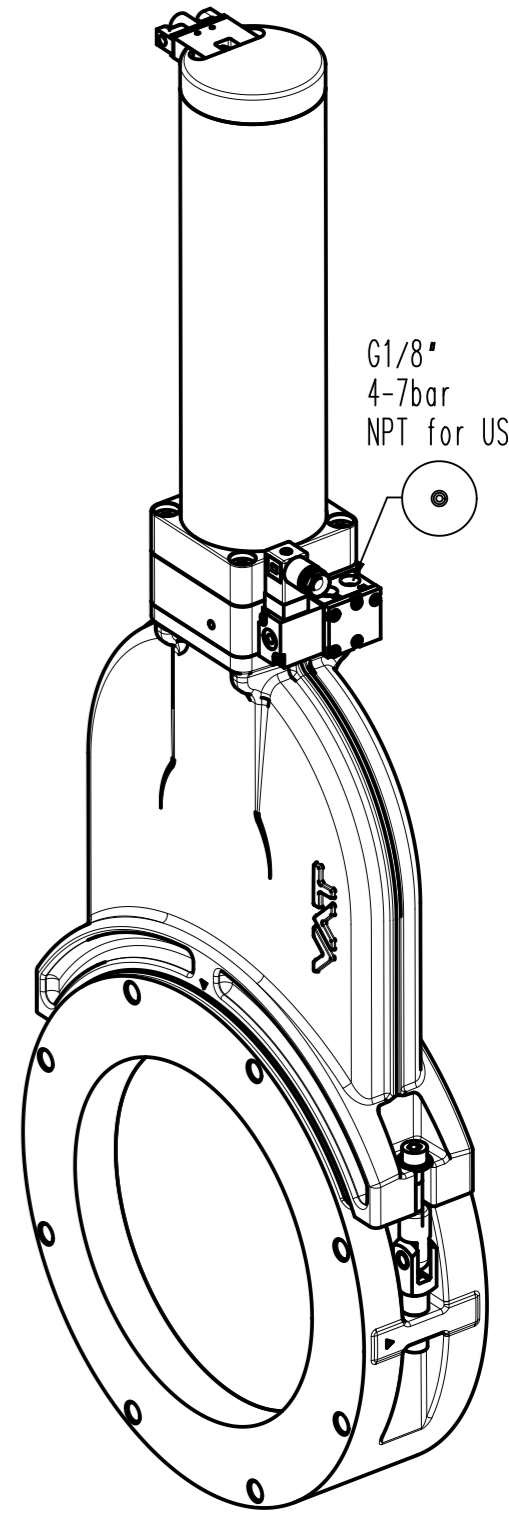


D-side



B-side



A-(seat)side

G1/8"
4-7bar
NPT for USA

- ▼ Seat side
- ⊙ Comp. air connection
- ⊙ Electrical connection
- ⊙ Leak detection port
- ⊙ Mech. pos. indication
- ⊙ Position indicator
- ⊙ Required for dismantling
- ⊙ Emergency actuation
- ⊙ For attachment
- ⊙ Bake-out area
- ⊙ Differential pumping port

Vacuum gate valve



VAT Vakuumventile AG

CH-9469 Haag, Switzerland
Tel ++41 81 7716161 Fax ++41 81 7714830

Rev.-Date: 23.10.01

Visa: HUC

Series	121	Ordering No.	12146-JA44-0001
Projection E	DN	Flange	JIS
	200	Rev.	
Dimensional Drawing	224831		