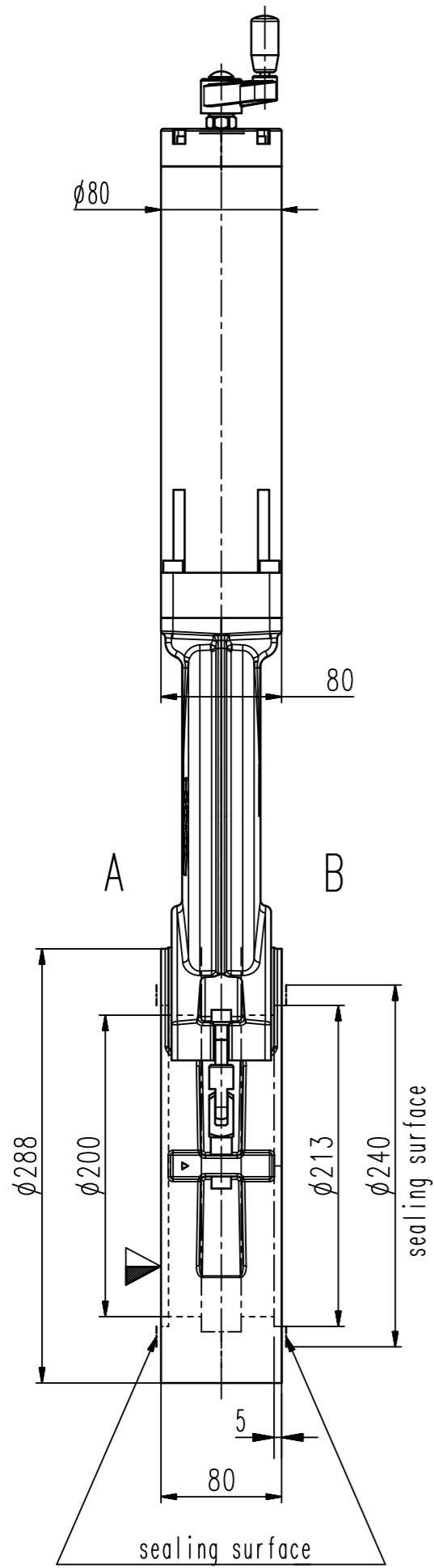


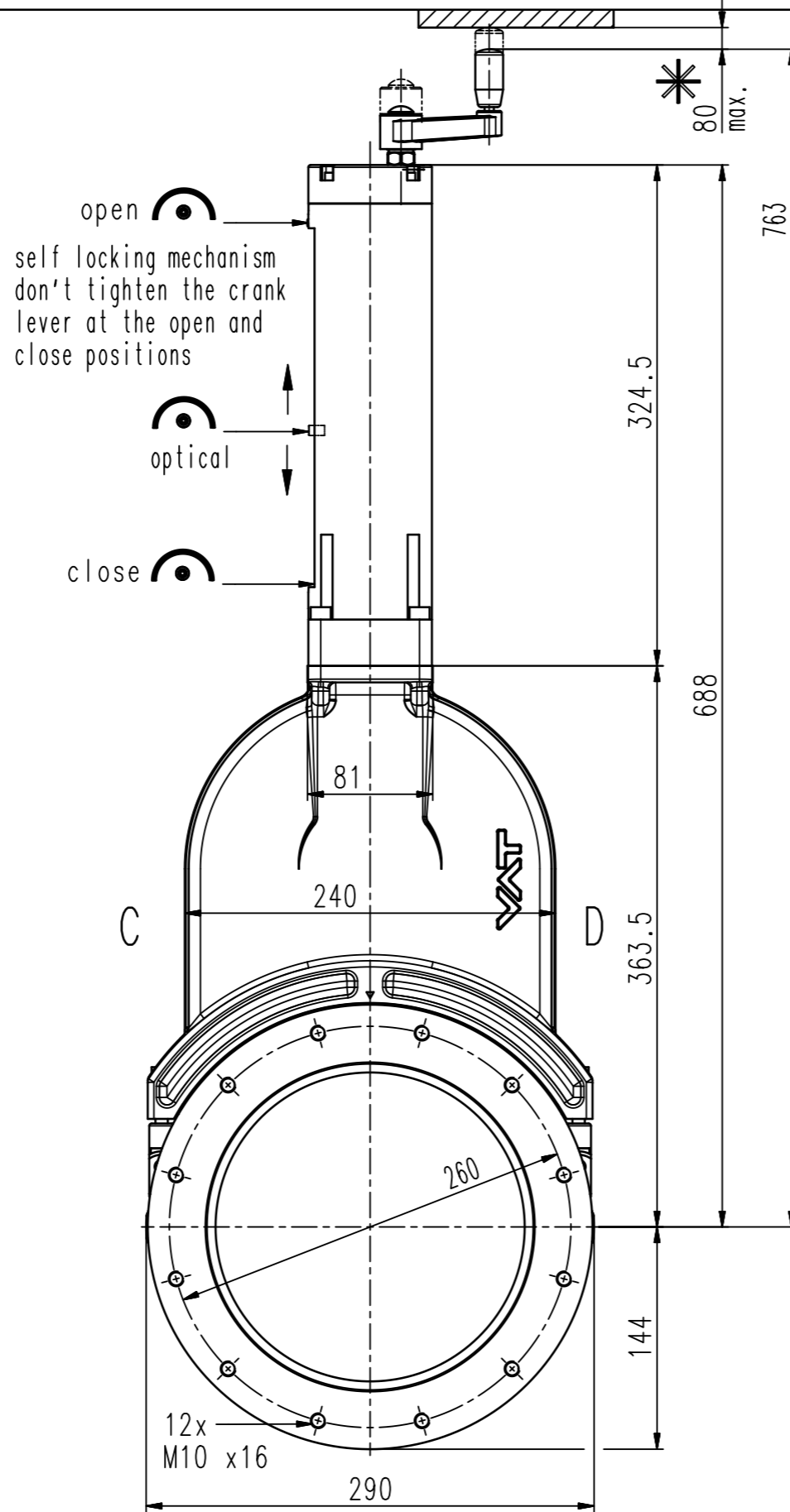
This drawing is the property of VAT.

Revision

Customer number



D-side



- ▼ Seat side
- ⊙ Comp. air connection
- ⊕ Electrical connection
- ⊖ Leak detection port
- ⊗ Mech. pos. indication
- ⊘ Position indicator
- ⊙* Required for dismantling
- ⊙* Emergency actuation
- ⊙ For attachment
- ⊙ Bake-out area
- ⊙ Differential pumping port

Vacuum gate valve



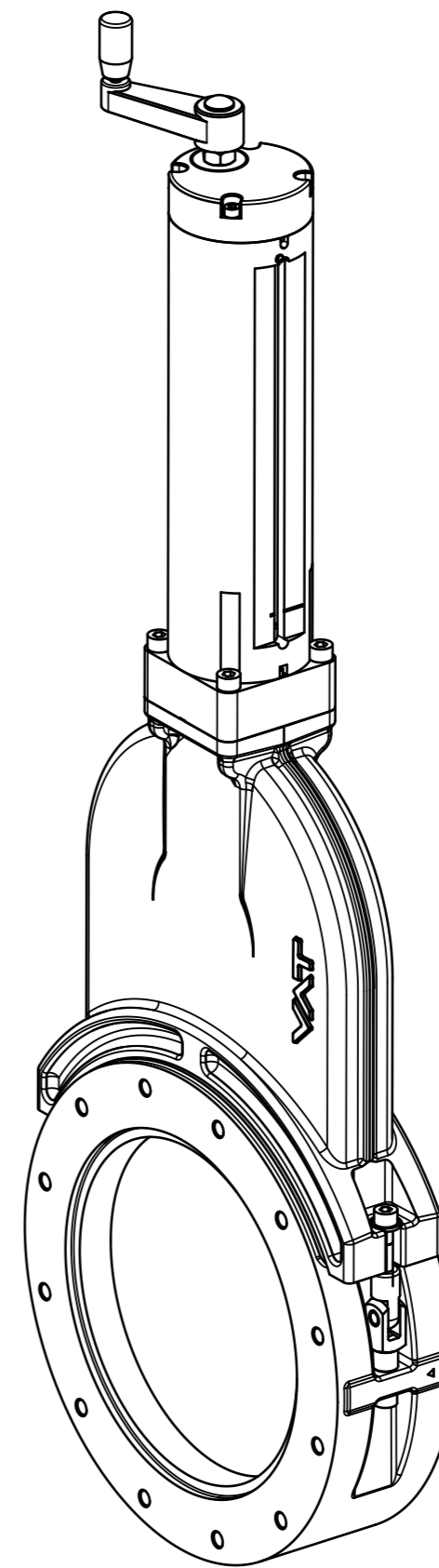
VAT Vakuumventile AG

CH-9469 Haag, Switzerland
Tel ++41 81 7716161 Fax ++41 81 7714830

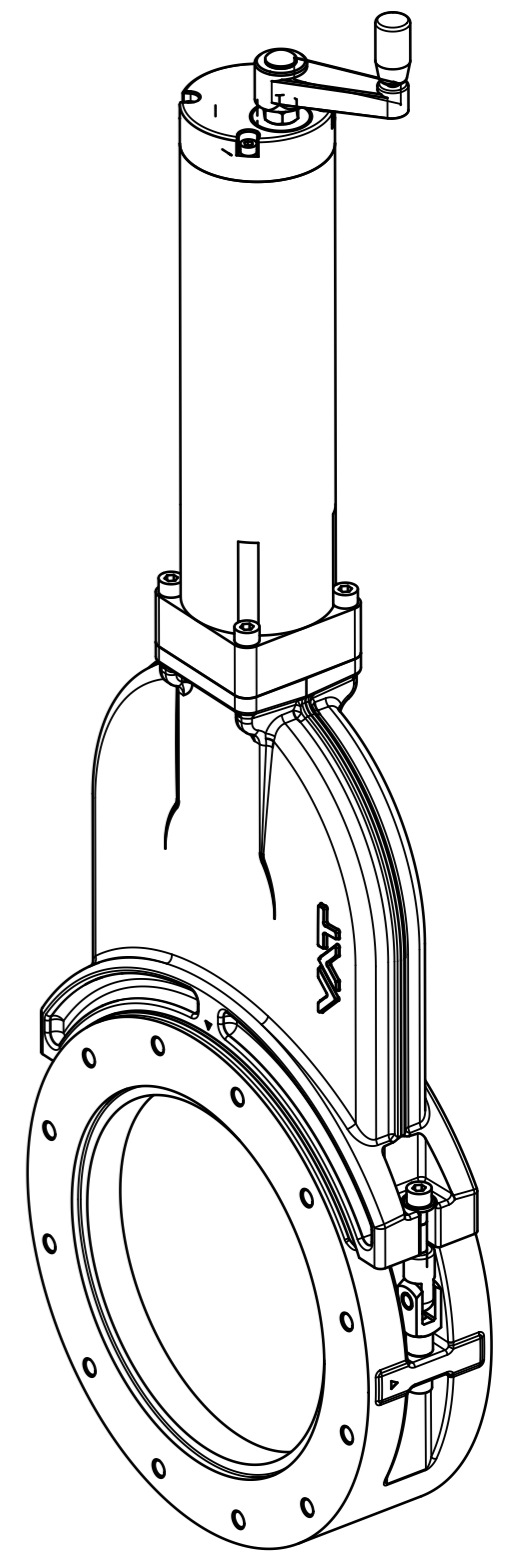
Rev.-Date: 28.06.13

Visa: HUC

Series	121	Ordering No.	12146-PA01-0001
Projection E	DN	Flange	
	200	ISO-F	
Dimensional Drawing	585226	Rev.	



B-side



A-(seat)side