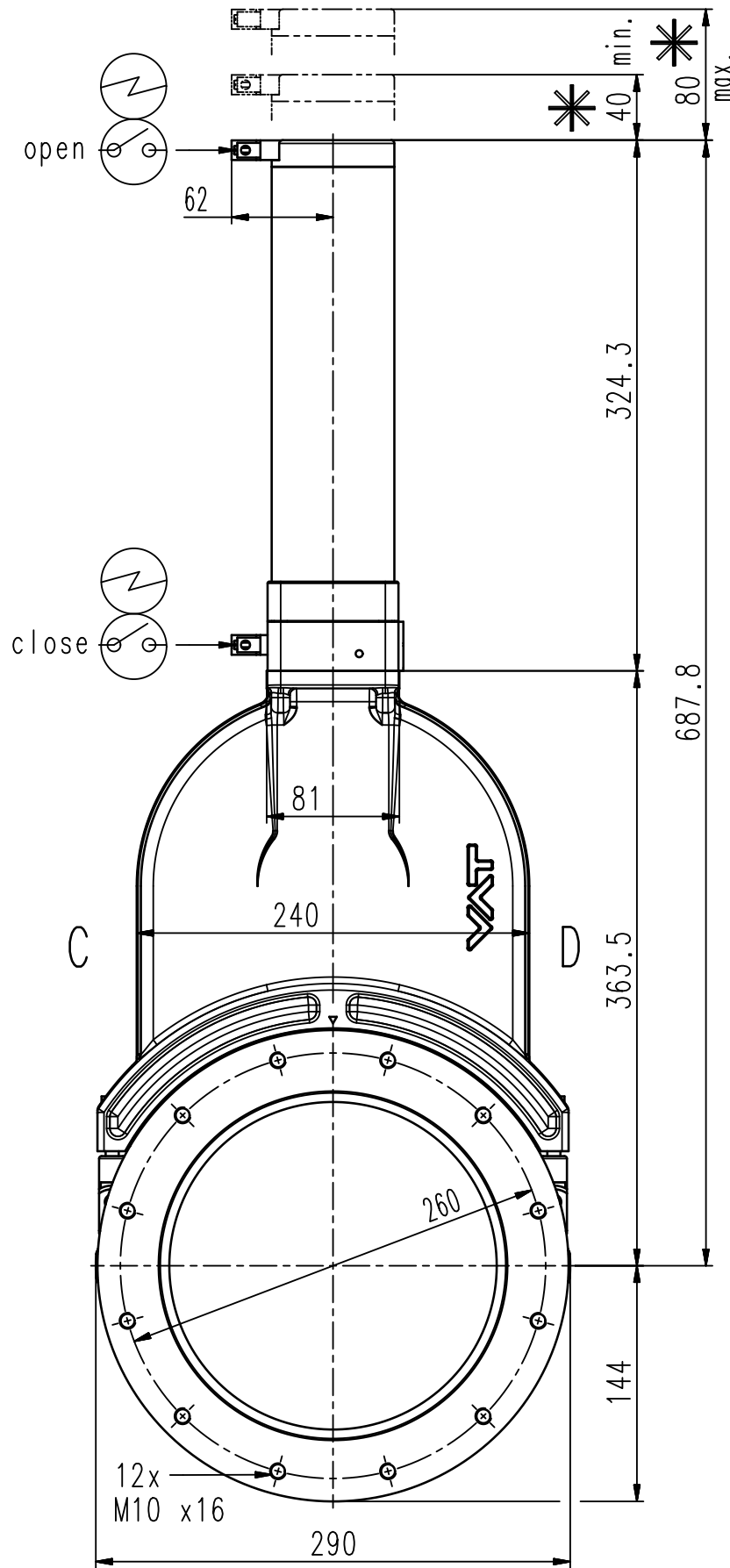


D-side



- ▼ Seat side
- ⊙ Comp. air connection
- ⊙ Electrical connection
- ⊙ Leak detection port
- ⊙ Mech. pos. indication
- ⊙ Position indicator
- ⊙ Required for dismantling
- ⊙ Emergency actuation
- ⊙ For attachment
- ⊙ Bake-out area
- ⊙ Differential pumping port

Vacuum gate valve



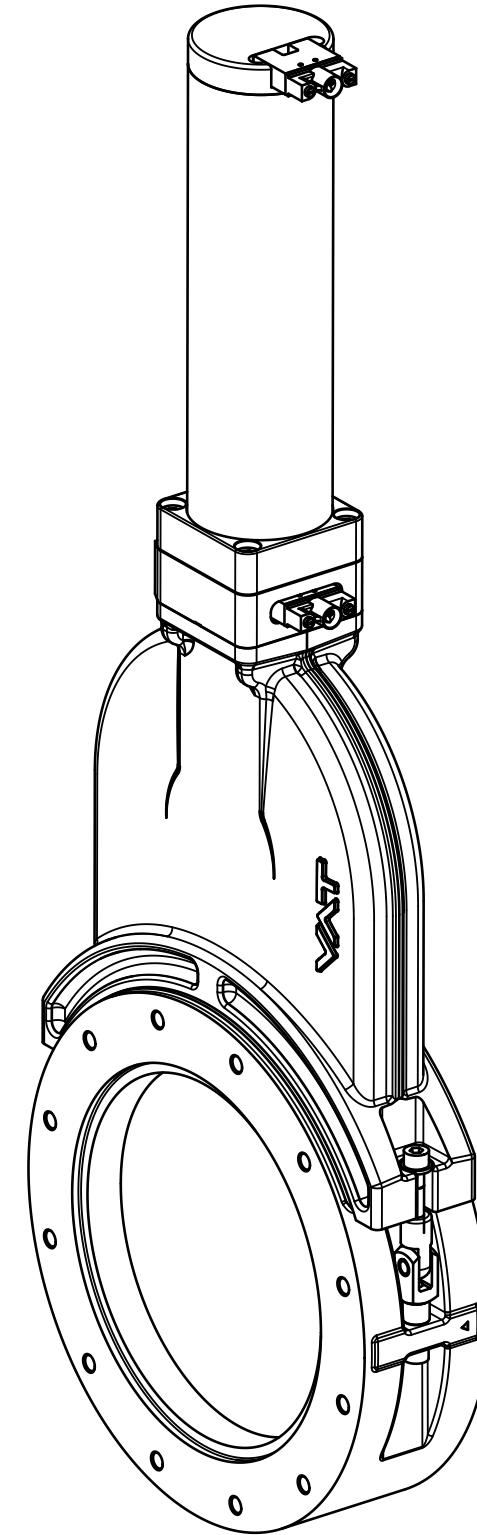
VAT Vakuumventile AG

CH-9469 Haag, Switzerland
Tel ++41 81 7716161 Fax ++41 81 7714830

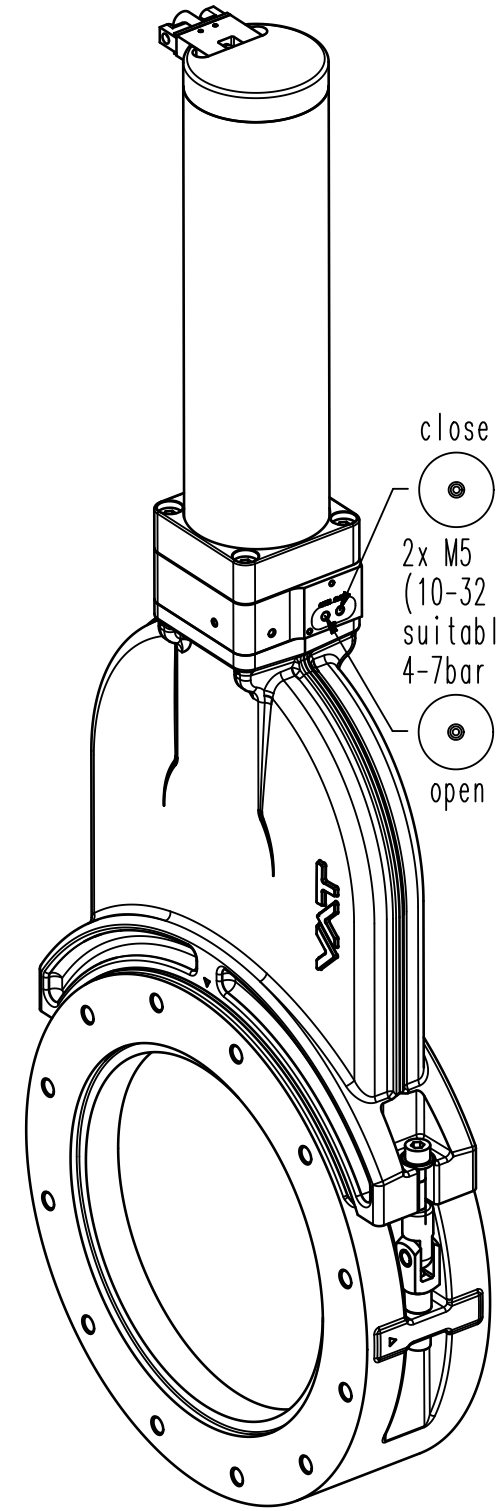
Rev.-Date: 11.11.11

Visa: HUC

Series	121	Ordering No.	12146-PA24-0001
Projection E	DN	Flange	ISO-F
	200		
Dimensional Drawing	223117	Rev.	



B-side



A-(seat)side

- close
- 2x M5 (10-32 UNF suitable) 4-7bar
- open